

# Termination resistor - SAC-5P-M12FS CAN TR



1529344

<https://www.phoenixcontact.com/de/produkte/1529344>

Please be informed that the data shown in this PDF document is generated from our Online Catalog. Please find the complete data in the user documentation. Our General Terms of Use for Downloads are valid.

Terminating resistor CANopen<sup>®</sup>/DeviceNet<sup>™</sup> M12



## Commercial Data

Item number	1529344
Packing unit	5 pc
Minimum order quantity	5 pc
Sales Key	C1 - Sensor-Aktor-Kabel
Product Key	BF1GVX
Catalog Page	Page 444 (C-6-2019)
GTIN	4017918989538
Weight per Piece (including packing)	12,74 g
Weight per Piece (excluding packing)	9,28 g
Customs tariff number	85332100
Country of origin	DE

# Termination resistor - SAC-5P-M12FS CAN TR



1529344

<https://www.phoenixcontact.com/de/produkte/1529344>

## Technical Data

### Product properties

Product type	Terminal resistor
Number of positions	5
Coding	A - standard

### Insulation characteristics

Overvoltage category	II
Degree of pollution	3

### Electrical properties

Nominal voltage $U_N$	48 V AC
	60 V DC
	5 V <sub>rms</sub>
Nominal current $I_N$	4 A
	45 mA ( $I_{eff}$ )

### General

Termination resistor	120 $\Omega$ $\pm$ 1 %
Power consumption	$\leq$ 0.25 W

### LED signaling

Status display	No
Status display present	No

### Material specifications

Color	black
Flammability rating according to UL 94	HB
Sealing material	NBR
Material of grip body	TPU, hardly inflammable, self-extinguishing
Contact material	CuSn
Contact surface material	Ni/Au
Contact carrier material	TPU GF
Cable gland material	Zinc die-cast, nickel-plated

### Connector

Insertion/withdrawal cycles	$\geq$ 100
-----------------------------	------------

### Connection 1

Head design	Socket
Head cable outlet	straight
Head thread type	M12
Coding	A

# Termination resistor - SAC-5P-M12FS CAN TR



1529344

<https://www.phoenixcontact.com/de/produkte/1529344>

## Environmental and real-life conditions

### Ambient conditions

Degree of protection	IP65
	IP67
Ambient temperature (operation)	-25 °C ... 90 °C (Plug)

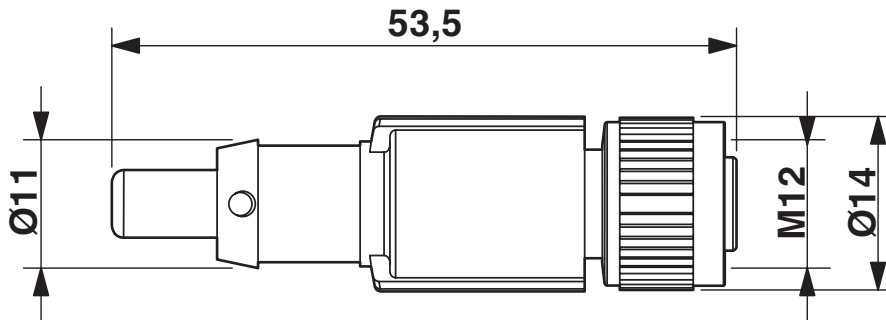
# Termination resistor - SAC-5P-M12FS CAN TR

1529344

<https://www.phoenixcontact.com/de/produkte/1529344>

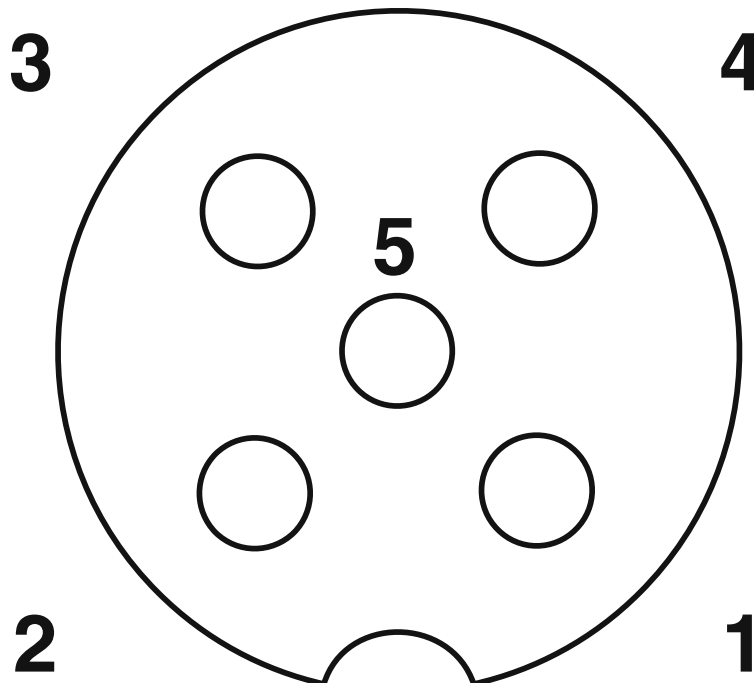
## Drawings

Dimensional drawing



M12 x 1 socket, straight

Schematic diagram



Pin assignment M12 socket, 5-pos., A-coded, socket side view

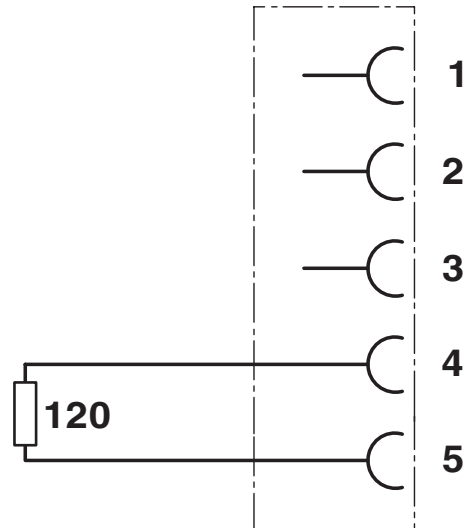
# Termination resistor - SAC-5P-M12FS CAN TR

1529344

<https://www.phoenixcontact.com/de/produkte/1529344>



Circuit diagram



# Termination resistor - SAC-5P-M12FS CAN TR



1529344

<https://www.phoenixcontact.com/de/produkte/1529344>

## Classifications

### ECLASS

ECLASS-9.0	19070403
ECLASS-10.0.1	19070403
ECLASS-11.0	19070403

### ETIM

ETIM 8.0	EC000448
----------	----------

### UNSPSC

UNSPSC 21.0	32121600
-------------	----------

# Termination resistor - SAC-5P-M12FS CAN TR



1529344

<https://www.phoenixcontact.com/de/produkte/1529344>

## Environmental Product Compliance

China RoHS	Environmentally friendly use period: unlimited = EFUP-e
	No hazardous substances above threshold values

Phoenix Contact 2022 © - all rights reserved  
<https://www.phoenixcontact.com>

PHOENIX CONTACT Deutschland GmbH  
Flachmarktstraße 8  
D-32825 Blomberg  
+49 52 35/3-1 20 00  
[info@phoenixcontact.de](mailto:info@phoenixcontact.de)