

# SAC-5P-M12MR-M12FR/920/... - Bus system cable



1431128/920/0.2

<https://www.phoenixcontact.com/de/produkte/1431128?orderkey=MTQzMTEyOC85MjAvMC4y>

Please be informed that the data shown in this PDF document is generated from our online catalog. Please find the complete data in the user documentation. Our general terms of use for downloads are valid.



Bus system cable, CANopen<sup>®</sup>, DeviceNet<sup>™</sup>, 5-position halogen-free, shielded, Plug angled M12, coding: A, on Socket angled M12, coding: A, cable length: Free input (0.2 ... 40.0 m)

## Commercial data

Item number	1431128/920/0.2
Packing unit	1 pc
Minimum order quantity	1 pc
Note	Made to order (non-returnable)
Sales key	C1 - Sensor-Aktor-Kabel
Product key	BF1CKD
Catalog page	Page 433 (C-2-2019)
Customs tariff number	85444290
Country of origin	PL

# SAC-5P-M12MR-M12FR/920/... - Bus system cable



1431128/920/0.2

<https://www.phoenixcontact.com/de/produkte/1431128?orderkey=MTQzMTEyOC85MjAvMC4y>

## Technical data

### Product properties

Product type	Data cable preassembled
Sensor type	CANopen <sup>®</sup>
Number of positions	5
Application	Standard
No. of cable outlets	1
Shielded	yes
Coding	A

### Insulation characteristics

Overvoltage category	II
Degree of pollution	3

### Interfaces

Bus system	CANopen <sup>®</sup> /DeviceNet <sup>™</sup>
Signal type/category	CANopen <sup>®</sup> DeviceNet <sup>™</sup>

### Signaling

Status display	No
Status display present	No

### Electrical properties

Contact resistance	≤ 5 mΩ
Insulation resistance	≥ 100 MΩ
Nominal voltage U <sub>N</sub>	48 V AC 60 V DC
Nominal current I <sub>N</sub>	4 A
Transmission medium	Copper

### Material specifications

Flammability rating according to UL 94	HB
Seal material	NBR
Material of grip body	TPU, hardly inflammable, self-extinguishing
Contact material	CuSn
Contact surface material	Ni/Au
Contact carrier material	TPU GF
Material for screw connection	Zinc die-cast, nickel-plated

### Connector

#### Connection 1

Type	Plug angled M12
------	-----------------

# SAC-5P-M12MR-M12FR/920/... - Bus system cable



1431128/920/0.2

<https://www.phoenixcontact.com/de/produkte/1431128?orderkey=MTQzMTEyOC85MjAvMC4y>

Number of positions	5
Coding type	A (Standard)
Ambient temperature (operation)	-25 °C ... 90 °C
Number of positions	5


## Connection 2

Type	Socket angled M12
Number of positions	5
Coding type	A (Standard)
Ambient temperature (operation)	-25 °C ... 90 °C
Number of positions	5

## Cable/line

Cable length	Free input (0.2 ... 40.0 m)
--------------	-----------------------------

CANopen<sup>®</sup>/DeviceNet<sup>™</sup>, PUR, violet [920]

Dimensional drawing	
Cable weight	90 kg/km
UL AWM Style	21198 (80°C/300 V)
Number of positions	4
Shielded	yes
Cable type	CANopen <sup>®</sup> /DeviceNet <sup>™</sup> , PUR, violet [920]
Conductor structure	2xAWG24/19+2xAWG22/19
Conductor structure signal line	19x 0.13 mm
AWG signal line	24
Conductor cross section	2x 0.25 mm <sup>2</sup> (Data cable) 2x 0.34 mm <sup>2</sup> (Power supply) 1x 0.34 mm <sup>2</sup> (Drain wire)
Wire diameter incl. insulation	1.95 mm ±0.05 mm (Data cable) 1.4 mm ±0.05 mm (Power supply)
External cable diameter	6.7 mm ±0.3 mm
Outer sheath, material	PUR
External sheath, color	red lilac RAL 4001
Conductor material	Tin-plated Cu litz wires
Material wire insulation	Foamed PE (Data cable) PE (Power supply)
Single wire, color	red-black, blue-white
Twisted pairs	2 cores to the pair

# SAC-5P-M12MR-M12FR/920/... - Bus system cable



1431128/920/0.2

<https://www.phoenixcontact.com/de/produkte/1431128?orderkey=MTQzMTEyOC85MjAvMC4y>

Type of pair shielding	Plastic-coated aluminum foil, aluminum side outside
Overall twist	2 pairs around a drain wire in the center to the core
Optical shield covering	80 %
Insulation resistance	≥ 5 GΩ*km (Data cable)
	≥ 5 GΩ*km (Power supply)
Loop resistance	≤ 181.80 Ω/km (Data cable)
	≤ 114.80 Ω/km (Power supply)
Wave impedance	120 Ω ±10 % (with 1 MHz)
Cable capacity	nom. 40 nF/km (Data cable)
Nominal voltage, cable	≤ 300 V (Peak value, not for high-power applications)
Test voltage Core/Core	2000 V (50 Hz, 1 min.)
Test voltage Core/Shield	2000 V (50 Hz, 1 min.)
Minimum bending radius, fixed installation	5 x D
Minimum bending radius, flexible installation	10 x D
Smallest bending radius, fixed installation	34 mm
Smallest bending radius, movable installation	67 mm
Max. bending cycles	5000000
Shield attenuation	≤ 22.9 dB/km (with 1 MHz)
	≤ 16.4 dB/km (At 500 kHz)
	≤ 9.5 dB/km (At 125 kHz)
Halogen-free	in accordance with DIN VDE 0472 part 815
	according to IEC 60754-1
Flame resistance	IEC 60332-1-2
	in accordance with ISO 6722-1 5.22 (UN ECE-R 118.01)
Other resistance	Low adhesion
Ambient temperature (operation)	-40 °C ... 80 °C (cable, fixed installation)
	-30 °C ... 70 °C (Cable, flexible installation)
	-20 °C ... 60 °C (for installation)
	-20 °C ... 60 °C (cable, drag chain applications)

## Environmental and real-life conditions

### Ambient conditions

Degree of protection	IP65
	IP67
Ambient temperature (operation)	-25 °C ... 90 °C (Plug / socket)
	-40 °C ... 80 °C (cable, fixed installation)
	-20 °C ... 75 °C (Cable, flexible installation)

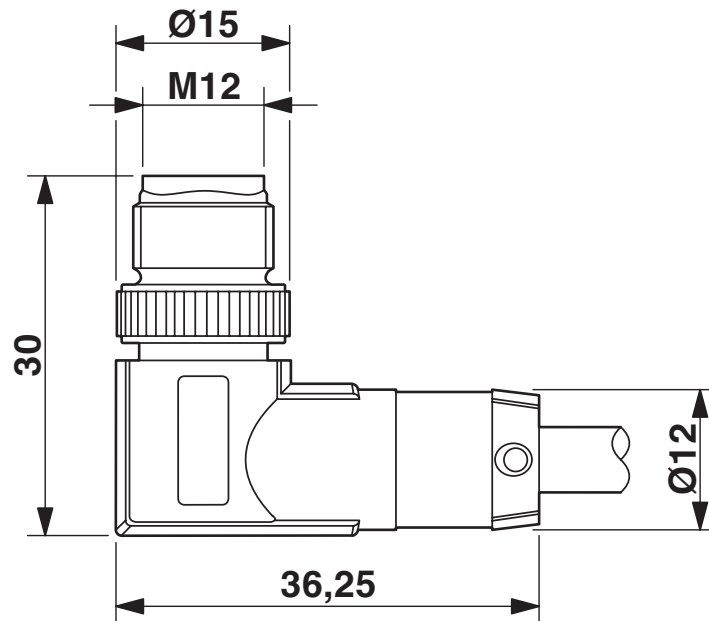
# SAC-5P-M12MR-M12FR/920/... - Bus system cable

1431128/920/0.2

<https://www.phoenixcontact.com/de/produkte/1431128?orderkey=MTQzMTEyOC85MjAvMC4y>

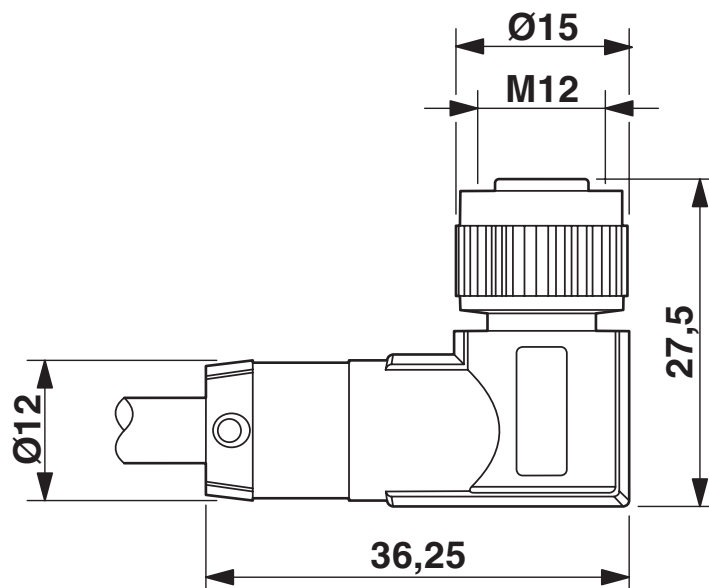
## Drawings

Dimensional drawing



M12 x 1 male plug, angled, shielded

Dimensional drawing

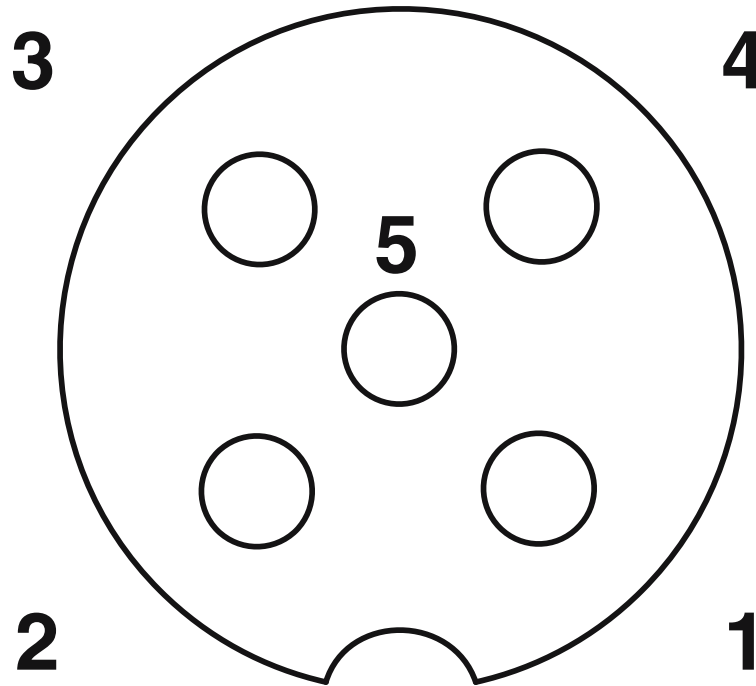


M12 x 1 socket, angled, shielded

1431128/920/0.2

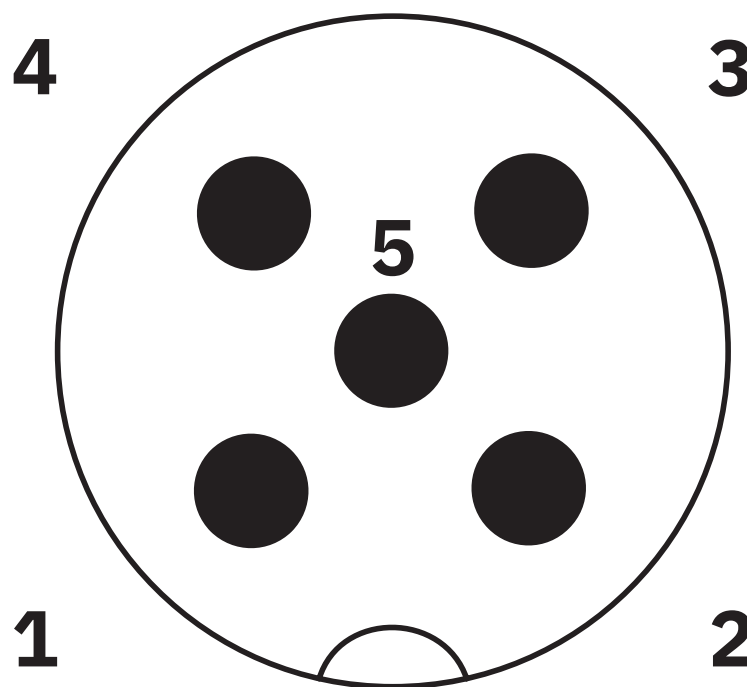
<https://www.phoenixcontact.com/de/produkte/1431128?orderkey=MTQzMTEyOC85MjAvMC4y>

Schematic diagram



Pin assignment M12 socket, 5-pos., A-coded, socket side view

Schematic diagram



Pin assignment M12 male connector, 5-pos., A-coded, male side

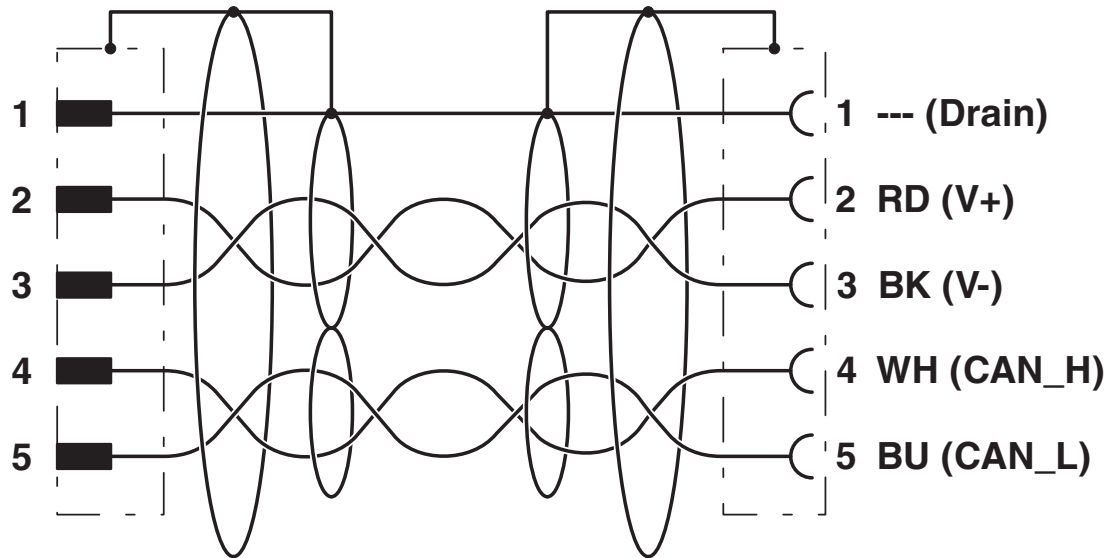
# SAC-5P-M12MR-M12FR/920/... - Bus system cable



1431128/920/0.2

<https://www.phoenixcontact.com/de/produkte/1431128?orderkey=MTQzMTEyOC85MjAvMC4y>

Circuit diagram



# SAC-5P-M12MR-M12FR/920/... - Bus system cable





1431128/920/0.2


<https://www.phoenixcontact.com/de/produkte/1431128?orderkey=MTQzMTEyOC85MjAvMC4y>

## Approvals

🔗 To download certificates, visit the product detail page: <https://www.phoenixcontact.com/de/produkte/1431128?orderkey=MTQzMTEyOC85MjAvMC4y>

 <b>UL Listed</b> Approval ID: FILE E 221474				
	Nominal voltage $U_N$	Nominal current $I_N$	Cross section AWG	Cross section $\text{mm}^2$
	125 V	4 A	-	-

 <b>cUL Listed</b> Approval ID: FILE E 221474				
	Nominal voltage $U_N$	Nominal current $I_N$	Cross section AWG	Cross section $\text{mm}^2$
	125 V	4 A	-	-

 <b>EAC-RoHS</b> Approval ID: RU D-DE.HB35.B.00387	
--	--

<b>cULus Listed</b>	
---------------------	--



# SAC-5P-M12MR-M12FR/920/... - Bus system cable



1431128/920/0.2

<https://www.phoenixcontact.com/de/produkte/1431128?orderkey=MTQzMTEyOC85MjAvMC4y>

## Classifications

### ECLASS

ECLASS-11.0	27060307
ECLASS-12.0	27060307
ECLASS-13.0	27060307

### ETIM

ETIM 8.0	EC001855
----------	----------

### UNSPSC

UNSPSC 21.0	26121600
-------------	----------

# SAC-5P-M12MR-M12FR/920/... - Bus system cable



1431128/920/0.2

<https://www.phoenixcontact.com/de/produkte/1431128?orderkey=MTQzMTEyOC85MjAvMC4y>

## Environmental product compliance

REACH SVHC	Lead 7439-92-1
China RoHS	Environmentally Friendly Use Period = 50 years
	For information on hazardous substances, refer to the manufacturer's declaration available under "Downloads"

Phoenix Contact 2023 © - all rights reserved  
<https://www.phoenixcontact.com>

PHOENIX CONTACT Deutschland GmbH  
Flachsmarktstraße 8  
D-32825 Blomberg  
+49 52 35/3-1 20 00  
[info@phoenixcontact.de](mailto:info@phoenixcontact.de)