

# SAC-5P-MR-FR SCO /924/... - Bus system cable



1405792/924/0.2

<https://www.phoenixcontact.com/de/produkte/1405792?orderkey=MTQwNTc5Mi85MjQvMC4y>

Please be informed that the data shown in this PDF document is generated from our Online Catalog. Please find the complete data in the user documentation. Our General Terms of Use for Downloads are valid.



Bus system cable, CANopen<sup>®</sup>, DeviceNet<sup>™</sup>, 5-position, PVC, gray, shielded, Plug angled M12, coding: A, on Socket angled M12, coding: A, cable length: Free input (0.2 ... 40.0 m), Connector unshielded

## Commercial Data

Item number	1405792/924/0.2
Packing unit	1 pc
Minimum order quantity	50 pc
Note	Made to Order (non-returnable)
Sales Key	C1 - Sensor-Aktor-Kabel
Product Key	BF1IHE
Weight per Piece (including packing)	156 g
Weight per Piece (excluding packing)	156 g
Customs tariff number	85444290
Country of origin	US

# SAC-5P-MR-FR SCO /924/... - Bus system cable



1405792/924/0.2

<https://www.phoenixcontact.com/de/produkte/1405792?orderkey=MTQwNTc5Mi85MjQvMC4y>

## Technical Data

### Product properties

Product type	Data cable preassembled
Sensor type	CANopen <sup>®</sup>
Number of positions	5
Application	Standard, U.S. cables
No. of cable outlets	1
Shielded	yes
Coding	A

### Insulation characteristics

Overvoltage category	II
Degree of pollution	3

### Interfaces

Bus system	CANopen <sup>®</sup> /DeviceNet <sup>™</sup>
Signal type/category	CANopen <sup>®</sup> DeviceNet <sup>™</sup>

### Signaling

Status display	No
Status display present	No

### Electrical properties

Contact resistance	≤ 5 mΩ
Insulation resistance	≥ 100 MΩ
Nominal voltage U <sub>N</sub>	48 V AC 60 V DC
Nominal current I <sub>N</sub>	4 A
Transmission medium	Copper

### Material specifications

Flammability rating according to UL 94	HB
Seal material	NBR
Material of grip body	TPU, hardly inflammable, self-extinguishing
Contact material	CuSn
Contact surface material	Ni/Au
Contact carrier material	TPU GF
Material for screw connection	Zinc die-cast, nickel-plated

### Connector

#### Connection 1

Type	Plug angled M12
------	-----------------

# SAC-5P-MR-FR SCO /924/... - Bus system cable



1405792/924/0.2

<https://www.phoenixcontact.com/de/produkte/1405792?orderkey=MTQwNTc5Mi85MjQvMC4y>

Number of positions	5
Coding type	A (Standard)
Number of positions	5

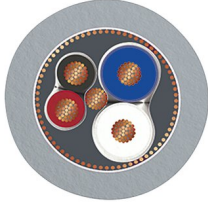
## Connection 2

Type	Socket angled M12
Number of positions	5
Coding type	A (Standard)
Number of positions	5

## Cable/line

Cable length	Free input (0.2 ... 40.0 m)
--------------	-----------------------------

## CANopen<sup>®</sup>/DeviceNet<sup>™</sup>, PVC, gray [924]

Dimensional drawing	
Cable weight	64.51 kg/km
UL AWM Style	2464 (80°C/300 V)
Number of positions	4
Shielded	yes
Cable type	CANopen <sup>®</sup> /DeviceNet <sup>™</sup> , PVC, gray [924]
Conductor structure	2xAWG22 (Signal) + 2xAWG22 (Power)
Signal runtime	4.46 ns/m
Conductor structure signal line	19x 0.15 mm
AWG signal line	22
Conductor cross section	2x 0.34 mm <sup>2</sup> (Signal line) 2x 0.34 mm <sup>2</sup> (Power supply)
Wire diameter incl. insulation	1.27 mm ±0.05 mm (Signal line) 2.24 mm ±0.13 mm (Power supply)
External cable diameter	6.9 mm ±0.13 mm
Outer sheath, material	PVC
External sheath, color	gray
Conductor material	Bare Cu litz wires
Material wire insulation	Foamed PE (Signal line) PVC (Power supply)
Single wire, color	red-black, blue-white
Twisted pairs	2 cores to the pair
Type of pair shielding	Plastic-coated aluminum foil, aluminum side inside
Overall twist	2 pairs around a drain wire in the center to the core

# SAC-5P-MR-FR SCO /924/... - Bus system cable



1405792/924/0.2

<https://www.phoenixcontact.com/de/produkte/1405792?orderkey=MTQwNTc5Mi85MjQvMC4y>

Insulation resistance	≥ 59.38 Ω*m (Signal line)
	≥ 57.41 GΩ*km (Power supply)
Wave impedance	120 Ω ±12 Ω
Working capacitance	nom. 78.74 pF (per meter)
Minimum bending radius, flexible installation	15 x D
Shield attenuation	0.95 dB (f = 125 kHz)
	1.64 dB (f = 500 kHz)
	2.3 dB (f = 1 MHz)
Flame resistance	FT4
Resistance to oil	yes
Other resistance	UV resistant
Special properties	UL standards PLTC and ITC
Ambient temperature (operation)	-30 °C ... 75 °C (cable, fixed installation)

## Environmental and real-life conditions

### Ambient conditions

Degree of protection	IP65
	IP67
	IP68
Ambient temperature (operation)	-25 °C ... 90 °C (Plug / socket)

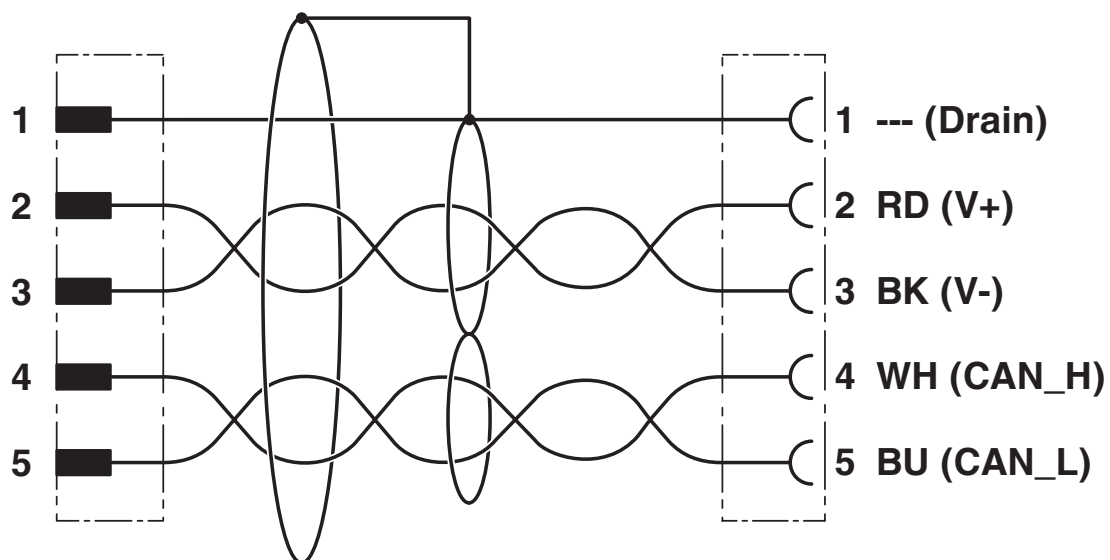
# SAC-5P-MR-FR SCO /924/... - Bus system cable

1405792/924/0.2

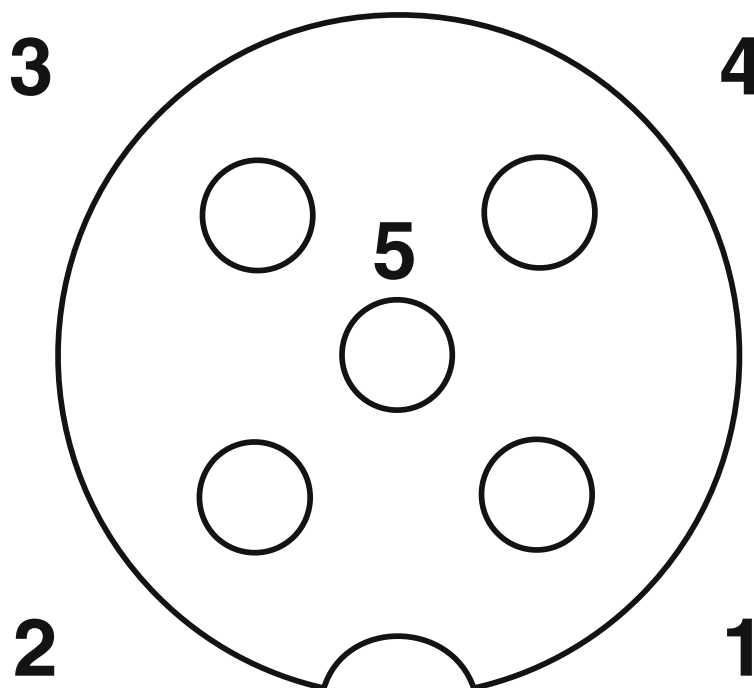
<https://www.phoenixcontact.com/de/produkte/1405792?orderkey=MTQwNTc5Mi85MjQvMC4y>

## Drawings

Circuit diagram



Schematic diagram



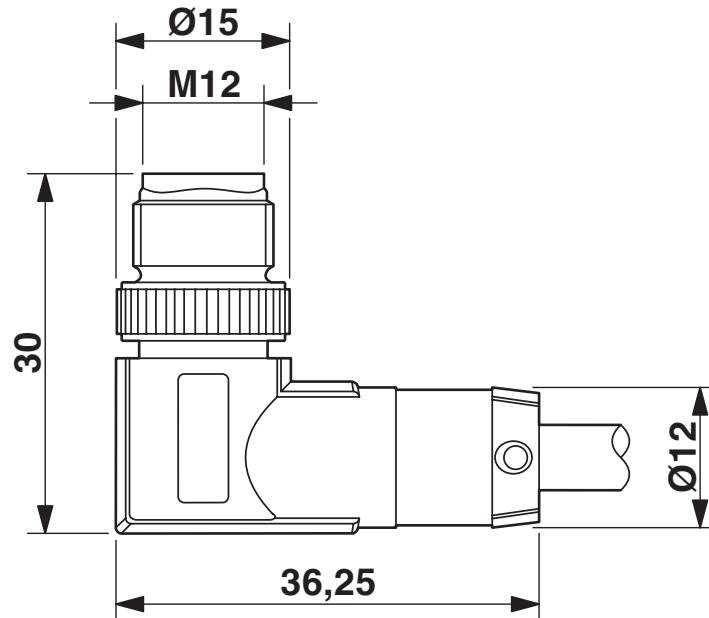
Pin assignment M12 socket, 5-pos., A-coded, socket side view

# SAC-5P-MR-FR SCO /924/... - Bus system cable

1405792/924/0.2

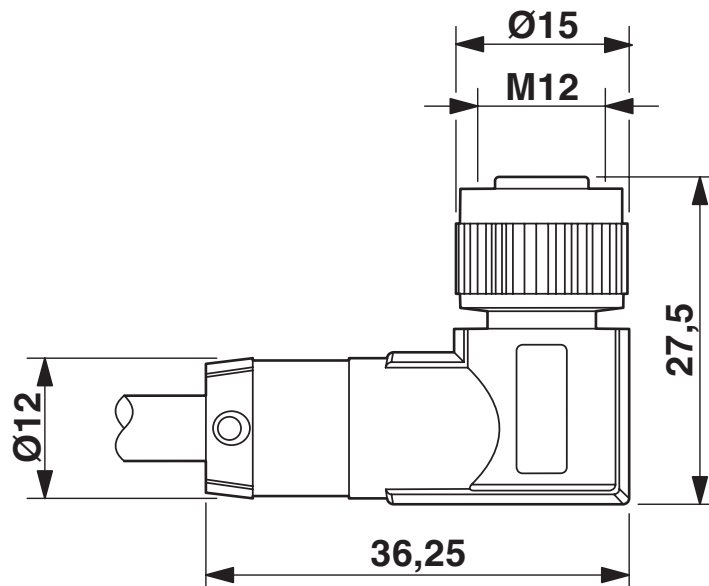
<https://www.phoenixcontact.com/de/produkte/1405792?orderkey=MTQwNTc5Mi85MjQvMC4y>

Dimensional drawing



M12 x 1 male plug, angled

Dimensional drawing



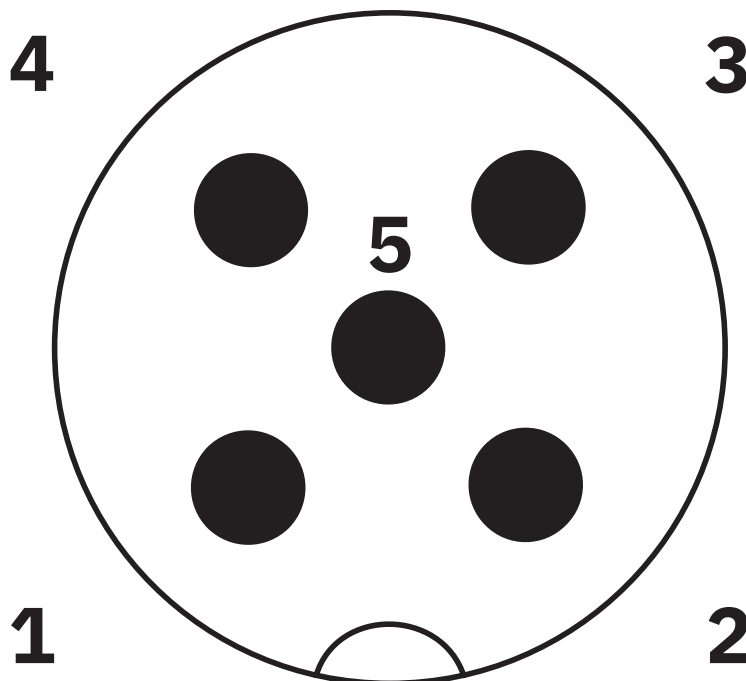
M12 x 1 socket, angled

# SAC-5P-MR-FR SCO /924/... - Bus system cable

1405792/924/0.2

<https://www.phoenixcontact.com/de/produkte/1405792?orderkey=MTQwNTc5Mi85MjQvMC4y>

Schematic diagram



Pin assignment M12 male connector, 5-pos., A-coded, male side

# SAC-5P-MR-FR SCO /924/... - Bus system cable



1405792/924/0.2

<https://www.phoenixcontact.com/de/produkte/1405792?orderkey=MTQwNTc5Mi85MjQvMC4y>

## Approvals

🔗 To download certificates, visit the product detail page: <https://www.phoenixcontact.com/de/produkte/1405792?orderkey=MTQwNTc5Mi85MjQvMC4y>



### EAC

Approval ID: RU C-DE.BL08.B.00286



### UL Listed

Approval ID: FILE E 221474

	Nominal Voltage $U_N$	Nominal Current $I_N$	Cross Section AWG	Cross Section $\text{mm}^2$
	60 V	4 A	-	-



### cUL Listed

Approval ID: FILE E 221474

	Nominal Voltage $U_N$	Nominal Current $I_N$	Cross Section AWG	Cross Section $\text{mm}^2$
	60 V	4 A	-	-



### EAC-RoHS

Approval ID: RU D-DE.HB35.B.00387



# SAC-5P-MR-FR SCO /924/... - Bus system cable



1405792/924/0.2

<https://www.phoenixcontact.com/de/produkte/1405792?orderkey=MTQwNTc5Mi85MjQvMC4y>

## Classifications

### ECLASS

ECLASS-11.0	27060307
ECLASS-12.0	27060307
ECLASS-13.0	27060307

### ETIM

ETIM 8.0	EC001855
----------	----------

### UNSPSC

UNSPSC 21.0	26121600
-------------	----------

# SAC-5P-MR-FR SCO /924/... - Bus system cable



1405792/924/0.2

<https://www.phoenixcontact.com/de/produkte/1405792?orderkey=MTQwNTc5Mi85MjQvMC4y>

## Environmental Product Compliance

China RoHS	Environmentally friendly use period: unlimited = EFUP-e
	No hazardous substances above threshold values

Phoenix Contact 2023 © - all rights reserved  
<https://www.phoenixcontact.com>

PHOENIX CONTACT Deutschland GmbH  
Flachmarktstraße 8  
D-32825 Blomberg  
+49 52 35/3-1 20 00  
[info@phoenixcontact.de](mailto:info@phoenixcontact.de)