

SAC-5P-MS/ 0,3-923/FR CAN SCO - Bus system cable



1419065

<https://www.phoenixcontact.com/de/produkte/1419065>

Please be informed that the data shown in this PDF document is generated from our online catalog. Please find the complete data in the user documentation. Our general terms of use for downloads are valid.



Bus system cable, CANopen[®], DeviceNet[™], 5-position halogen-free, shielded, Plug straight M12, coding: A SPEEDCON, on Socket angled M12, coding: A SPEEDCON, cable length: 0.3 m, Connector unshielded

Commercial data

Item number	1419065
Packing unit	1 pc
Minimum order quantity	1 pc
Sales key	C1 - Sensor-Aktor-Kabel
Product key	BF1CDD
Catalog page	Page 431 (C-2-2019)
GTIN	4046356543262
Weight per piece (including packing)	50,4 g
Weight per piece (excluding packing)	48 g
Customs tariff number	85444290
Country of origin	PL

SAC-5P-MS/ 0,3-923/FR CAN SCO - Bus system cable



1419065

<https://www.phoenixcontact.com/de/produkte/1419065>

Technical data

Product properties

Product type	Data cable preassembled
Sensor type	CANopen [®]
Number of positions	5
Application	Standard
No. of cable outlets	1
Coding	A

Insulation characteristics

Overvoltage category	II
Degree of pollution	3

Interfaces

Bus system	CANopen [®] /DeviceNet [™]
Signal type/category	CANopen [®] DeviceNet [™]

Signaling

Status display	No
Status display present	No

Electrical properties

Nominal voltage U_N	48 V AC
	60 V DC
Nominal current I_N	4 A
Transmission medium	Copper

Material specifications

Flammability rating according to UL 94	HB
Seal material	NBR
Material of grip body	TPU, hardly inflammable, self-extinguishing
Contact material	CuSn
Contact surface material	Ni/Au
Contact carrier material	TPU GF
Material for screw connection	Zinc die-cast, nickel-plated

Connection data

Pin assignment

Contact Color (signal designation) Contact (optional)	1 (Plug) SR (shield) 1 (Socket)
	2 (Plug) RD (V+) 2 (Socket)
	3 (Plug) BK (V-) 3 (Socket)
	4 (Plug) WH (CAN_H) 4 (Socket)

SAC-5P-MS/ 0,3-923/FR CAN SCO - Bus system cable

1419065

<https://www.phoenixcontact.com/de/produkte/1419065>

	5 (Plug) BU (CAN_L) 5 (Socket)
--	------------------------------------

Connector

Connection 1

Type	Plug straight M12 SPEEDCON
Number of positions	5
Coding type	A (Standard)
Number of positions	5
Locking type	SPEEDCON


Connection 2

Type	Socket angled M12 SPEEDCON
Number of positions	5
Coding type	A (Standard)
Number of positions	5
Locking type	SPEEDCON

Cable/line

Cable length	0.3 m
--------------	-------

CANopen[®]/DeviceNet[™], PUR, gray [923]

Dimensional drawing	
Cable weight	90 kg/km
UL AWM Style	21198 (80°C/300 V)
Number of positions	4
Shielded	yes
Cable type	CANopen [®] /DeviceNet [™] , PUR, gray [923]
Conductor structure	2xAWG24/19+2xAWG22/19
Conductor structure signal line	19x 0.13 mm
AWG signal line	24
Conductor cross section	2x 0.25 mm ² (Data cable) 2x 0.34 mm ² (Power supply) 1x 0.34 mm ² (Drain wire)
Wire diameter incl. insulation	1.95 mm ±0.05 mm (Data cable) 1.4 mm ±0.05 mm (Power supply)
External cable diameter	6.7 mm ±0.3 mm
Outer sheath, material	PUR

SAC-5P-MS/ 0,3-923/FR CAN SCO - Bus system cable



1419065

<https://www.phoenixcontact.com/de/produkte/1419065>

External sheath, color	silver-grey RAL 7001
Conductor material	Tin-plated Cu litz wires
Material wire insulation	Foamed PE (Data cable)
	PE (Power supply)
Single wire, color	red-black, blue-white
Twisted pairs	2 cores to the pair
Type of pair shielding	Plastic-coated aluminum foil, aluminum side outside
Overall twist	2 pairs around a drain wire in the center to the core
Optical shield covering	80 %
Insulation resistance	≥ 5 GΩ*km (Data cable)
	≥ 5 GΩ*km (Power supply)
Loop resistance	≤ 181.80 Ω/km (Data cable)
	≤ 114.80 Ω/km (Power supply)
Wave impedance	120 Ω ±10 % (with 1 MHz)
Cable capacity	nom. 40 nF/km (Data cable)
Nominal voltage, cable	≤ 300 V (Peak value, not for high-power applications)
Test voltage Core/Core	2000 V (50 Hz, 1 min.)
Test voltage Core/Shield	2000 V (50 Hz, 1 min.)
Minimum bending radius, fixed installation	5 x D
Minimum bending radius, flexible installation	10 x D
Smallest bending radius, fixed installation	34 mm
Smallest bending radius, movable installation	67 mm
Max. bending cycles	5000000
Shield attenuation	≤ 22.9 dB/km (with 1 MHz)
	≤ 16.4 dB/km (At 500 kHz)
	≤ 9.5 dB/km (At 125 kHz)
Halogen-free	in accordance with DIN VDE 0472 part 815
	according to IEC 60754-1
Flame resistance	UL 1581, Sec. 1060 (FT-1)
	IEC 60332-1
Other resistance	Low adhesion
Ambient temperature (operation)	-40 °C ... 80 °C (cable, fixed installation)
	-20 °C ... 80 °C (Cable, flexible installation)
	≤ 70 °C (cable, drag chain applications)

Environmental and real-life conditions

Ambient conditions

Degree of protection	IP65
	IP67
Ambient temperature (operation)	-25 °C ... 90 °C (Plug / socket)

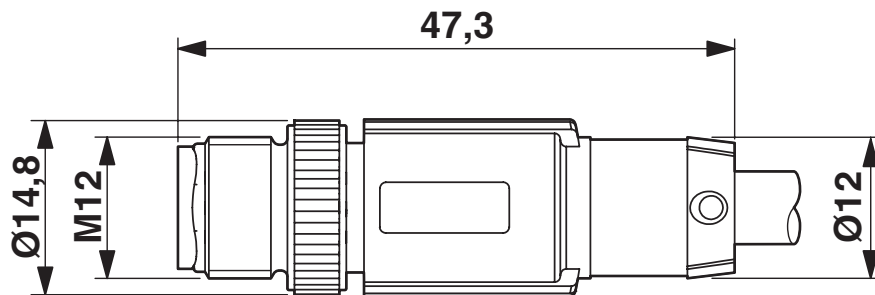
SAC-5P-MS/ 0,3-923/FR CAN SCO - Bus system cable

1419065

<https://www.phoenixcontact.com/de/produkte/1419065>

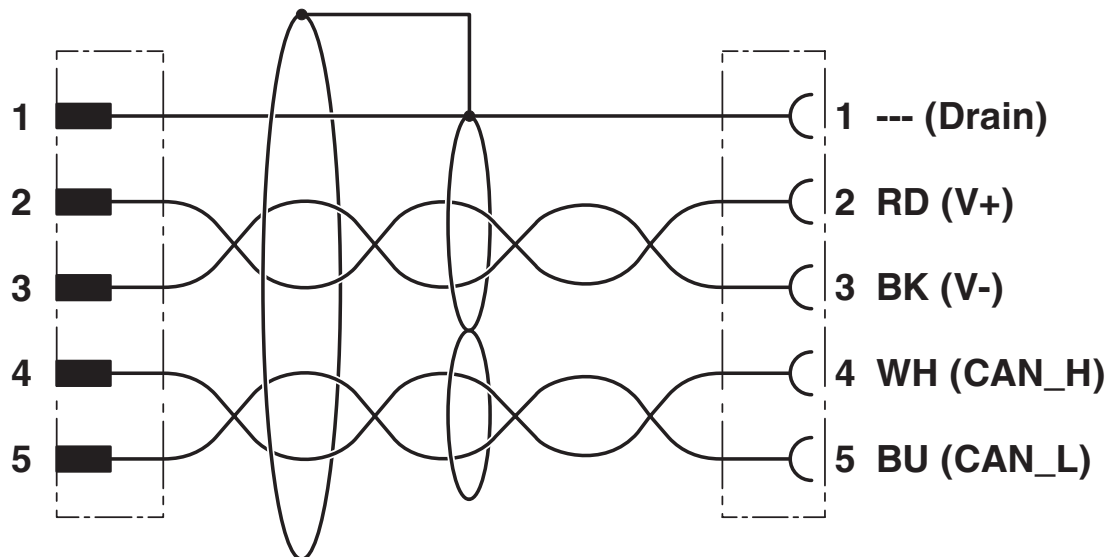
Drawings

Dimensional drawing



Plug, M12 x 1, straight, shielded

Circuit diagram

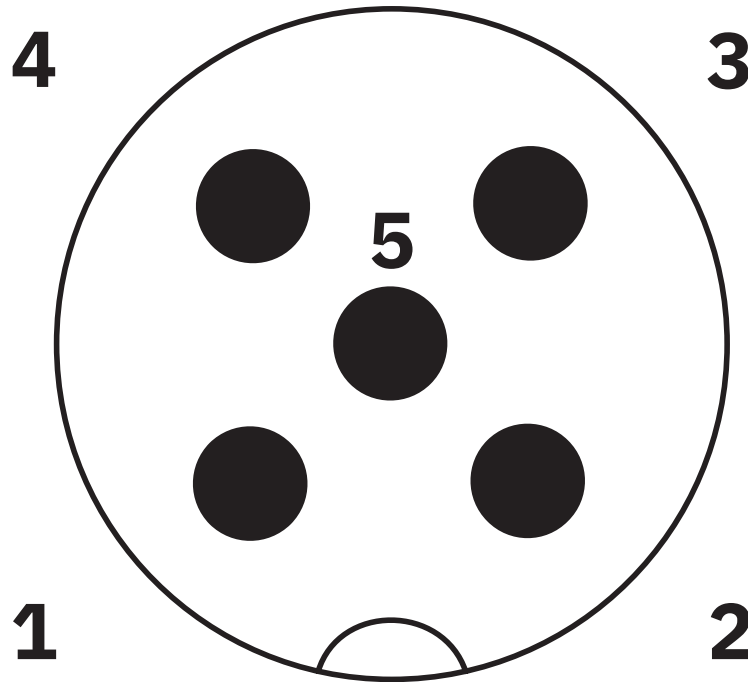


SAC-5P-MS/ 0,3-923/FR CAN SCO - Bus system cable

1419065

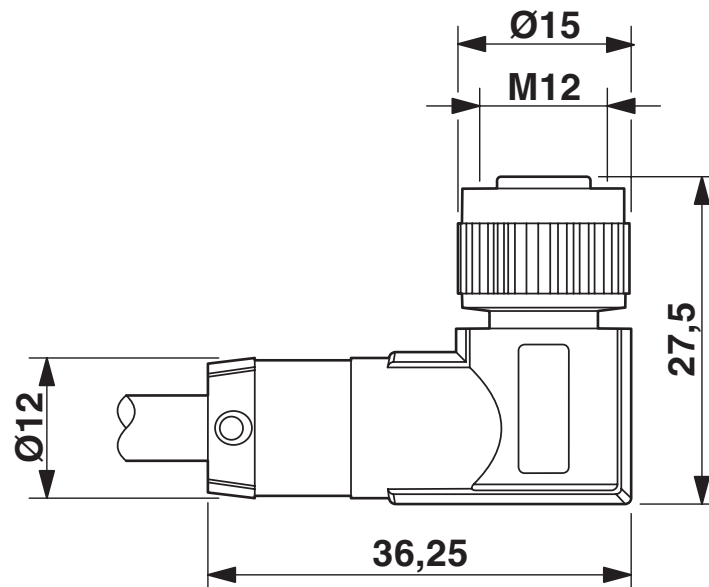
<https://www.phoenixcontact.com/de/produkte/1419065>

Schematic diagram



Pin assignment M12 male connector, 5-pos., A-coded, male side

Dimensional drawing



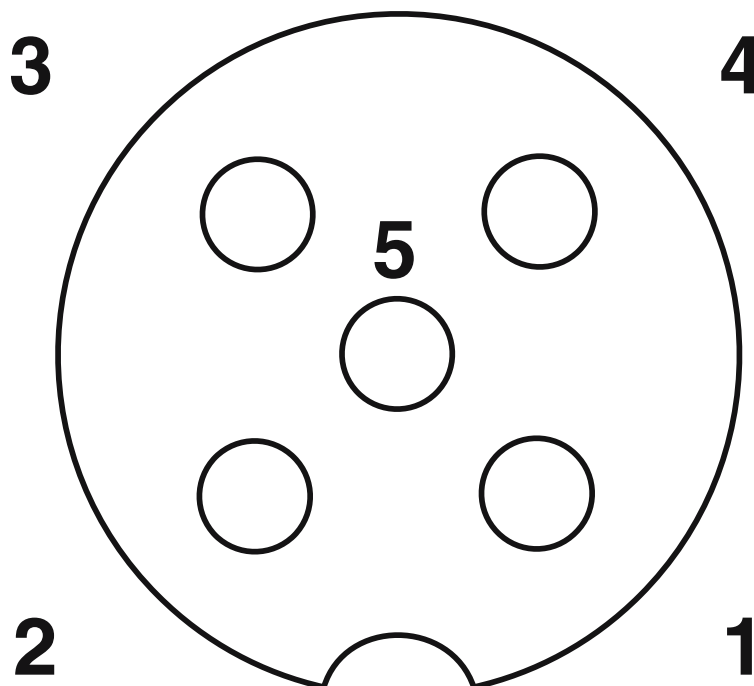
M12 x 1 socket, angled

SAC-5P-MS/ 0,3-923/FR CAN SCO - Bus system cable

1419065

<https://www.phoenixcontact.com/de/produkte/1419065>

Schematic diagram



Pin assignment M12 socket, 5-pos., A-coded, socket side view

SAC-5P-MS/ 0,3-923/FR CAN SCO - Bus system cable



1419065

<https://www.phoenixcontact.com/de/produkte/1419065>

Approvals

To download certificates, visit the product detail page: <https://www.phoenixcontact.com/de/produkte/1419065>



EAC

Approval ID: RU C-DE.BL08.B.00286



UL Listed

Approval ID: FILE E 221474

	Nominal voltage U_N	Nominal current I_N	Cross section AWG	Cross section mm^2
	125 V	4 A	-	-



cUL Listed

Approval ID: FILE E 221474

	Nominal voltage U_N	Nominal current I_N	Cross section AWG	Cross section mm^2
	125 V	4 A	-	-



EAC-RoHS

Approval ID: RU D-DE.HB35.B.00387

cULus Listed

SAC-5P-MS/ 0,3-923/FR CAN SCO - Bus system cable



1419065

<https://www.phoenixcontact.com/de/produkte/1419065>

Classifications

ECLASS

ECLASS-11.0	27060307
ECLASS-12.0	27060307
ECLASS-13.0	27060307

ETIM

ETIM 9.0	EC001855
----------	----------

UNSPSC

UNSPSC 21.0	26121600
-------------	----------

SAC-5P-MS/ 0,3-923/FR CAN SCO - Bus system cable



1419065

<https://www.phoenixcontact.com/de/produkte/1419065>

Environmental product compliance

China RoHS	Environmentally friendly use period: unlimited = EFUP-e
	No hazardous substances above threshold values

SAC-5P-MS/ 0,3-923/FR CAN SCO - Bus system cable



1419065

<https://www.phoenixcontact.com/de/produkte/1419065>

Accessories

PROT-M12 FS-PA-CHAIN - Sealing cap

1430873

<https://www.phoenixcontact.com/de/produkte/1430873>

M12 sealing cap made of plastic with fixing band, for sensor cables, for free M12 plugs



SAC-M12-EXCLIP-M - Locking clip

1558988

<https://www.phoenixcontact.com/de/produkte/1558988>

Locking clip for the pin side of sensor/actuator cables with M12 connector and M12 connectors for assembly, for knurl diameter: 15 mm or for Allen key with a wrench size of 14 mm, prevents the disconnection of plug-in connections without tools



SAC-5P-MS/ 0,3-923/FR CAN SCO - Bus system cable



1419065

<https://www.phoenixcontact.com/de/produkte/1419065>

PROT-M12 MS-PA-CHAIN - Screw plug

1430899

<https://www.phoenixcontact.com/de/produkte/1430899>

M12 sealing cap with fixing band, for sensor cables, for free M12 sockets



SAC-M12-EXCLIP-F - Locking clip

1558991

<https://www.phoenixcontact.com/de/produkte/1558991>

Locking clip for the socket side of sensor/actuator cables with M12 connector and M12 connectors for assembly, for knurl diameter: 15 mm or for Allen key with a wrench size of 14 mm, prevents the disconnection of plug-in connections without tools



SAC-5P-MS/ 0,3-923/FR CAN SCO - Bus system cable

1419065

<https://www.phoenixcontact.com/de/produkte/1419065>

SAC-5PH-M-F/2XF SH1 SCO - H distributor

1417414

<https://www.phoenixcontact.com/de/produkte/1417414>



H distributor, 5-position, shielded, Plug straight M12, coding: A, on Socket straight M12, coding: A and Socket straight M12, coding: A, Thread M12 not rotatable, Parallel distributor

SAC-5P-M12T/2XM12 VP - T distributor

1541186

<https://www.phoenixcontact.com/de/produkte/1541186>



T distributor, 5-position, unshielded, Plug straight M12, coding: A, on Socket straight M12, coding: A and Socket straight M12, coding: A, Parallel distributor

SAC-5P-MS/ 0,3-923/FR CAN SCO - Bus system cable

1419065

<https://www.phoenixcontact.com/de/produkte/1419065>

SAC-5PT-F/F-M VP - T distributor

1424712

<https://www.phoenixcontact.com/de/produkte/1424712>



T distributor, CANopen[®], DeviceNet[™], 5-position, unshielded, Socket straight M12, coding: A, on Socket straight M12, coding: A and Plug straight M12, coding: A, Parallel distributor

SAC-5P-M12MS CAN TR - Termination resistor

1507816

<https://www.phoenixcontact.com/de/produkte/1507816>



Terminating resistor CANopen[®]/DeviceNet[™] M12

SAC-5P-MS/ 0,3-923/FR CAN SCO - Bus system cable

1419065

<https://www.phoenixcontact.com/de/produkte/1419065>

TSD 04 SAC - Torque screwdriver

1208429

<https://www.phoenixcontact.com/de/produkte/1208429>



Torque screwdriver, with preset torque of 0.4 Nm and 4 mm hexagonal drive for M12 connectors

TSD-M 1,2NM - Torque screwdriver

1212224

<https://www.phoenixcontact.com/de/produkte/1212224>



Torque screw driver, accuracy as per EN ISO 6789 standard, adjustable from 0.3 - 1.2 Nm

SAC-5P-MS/ 0,3-923/FR CAN SCO - Bus system cable



1419065

<https://www.phoenixcontact.com/de/produkte/1419065>

TSD-M SAC-BIT ADAPTER - Adapter insert

1212600

<https://www.phoenixcontact.com/de/produkte/1212600>



Adapter bit for TSD-M...torque tools, E6.3-1/4" drive with 4 mm hexagon to accommodate SAC bits

SAC BIT M12-D15 - Tool

1208432

<https://www.phoenixcontact.com/de/produkte/1208432>



Nut for assembling sensor/actuator cables with M12 connector and M12 connectors for assembly, with a knurl diameter of 15 mm, for 4 mm hexagonal drive

Phoenix Contact 2023 © - all rights reserved
<https://www.phoenixcontact.com>

PHOENIX CONTACT Deutschland GmbH
Flachsmarktstraße 8
D-32825 Blomberg
+49 52 35/3-1 20 00
info@phoenixcontact.de