

# SAC-5PT-F/F-M VP - T distributor



1424712

<https://www.phoenixcontact.com/de/produkte/1424712>

Please be informed that the data shown in this PDF document is generated from our Online Catalog. Please find the complete data in the user documentation. Our General Terms of Use for Downloads are valid.



T distributor, CANopen<sup>®</sup>, DeviceNet<sup>™</sup>, 5-position, unshielded, Socket straight M12, coding: A, on Socket straight M12, coding: A and Plug straight M12, coding: A, Parallel distributor

## Your advantages

- Safe use in the field, thanks to a high degree of protection

## Commercial Data

Item number	1424712
Packing unit	1 pc
Minimum order quantity	1 pc
Sales Key	C1 - Sensor-Aktor-Kabel
Product Key	BF1GAA
Catalog Page	Page 253 (C-2-2019)
GTIN	4055626376752
Weight per Piece (including packing)	32,48 g
Weight per Piece (excluding packing)	32,48 g
Customs tariff number	85366990
Country of origin	DE

# SAC-5PT-F/F-M VP - T distributor

1424712

<https://www.phoenixcontact.com/de/produkte/1424712>

## Technical Data

### Product properties

Product type	T-distributor
Sensor type	CANopen <sup>®</sup>
Number of positions	5
No. of cable outlets	2
Shielded	no
Coding	A
Thread type	M12

### Insulation characteristics

Overvoltage category	II
Degree of pollution	3

### Electrical properties

Nominal voltage $U_N$	48 V AC
	60 V DC
Nominal current $I_N$	4 A
Transmission medium	Copper

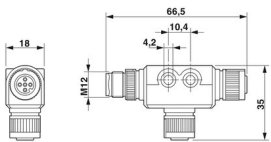
### Interfaces

Signal type/category	CANopen <sup>®</sup>
	DeviceNet <sup>™</sup>

### Signaling

Status display	No
Status display present	No

### Dimensions

Dimensional drawing	
Height	18 mm
Length	66.5 mm

### Material specifications

Color Handle area	black
Flammability rating according to UL 94	V0
Seal material	NBR
Material of grip body	PBT
Contact material	CuZn (pin) / CuSn (socket)

# SAC-5PT-F/F-M VP - T distributor



1424712

<https://www.phoenixcontact.com/de/produkte/1424712>

Contact surface material	Ni/Au
Material for screw connection	Zinc die-cast, nickel-plated
Material (GRP)	PBT (Female connector contact carrier)
	PA (Pin contact carrier)

## Connector

### Connection 1

Type	Socket straight M12
Coding type	A

### Connection 2

Type	Socket straight M12
Coding type	A

## Cable/line

Signal type/category	CANopen <sup>®</sup>
	DeviceNet <sup>™</sup>

## Mechanical properties

### Mechanical data

Insertion/withdrawal cycles	≥ 100
-----------------------------	-------

## Environmental and real-life conditions

### Ambient conditions

Degree of protection	IP65
Ambient temperature (operation)	-25 °C ... 85 °C (Plug / socket)

## Approvals

### National Marine Electronics Association

Certificate	approved
-------------	----------

## Standards and regulations

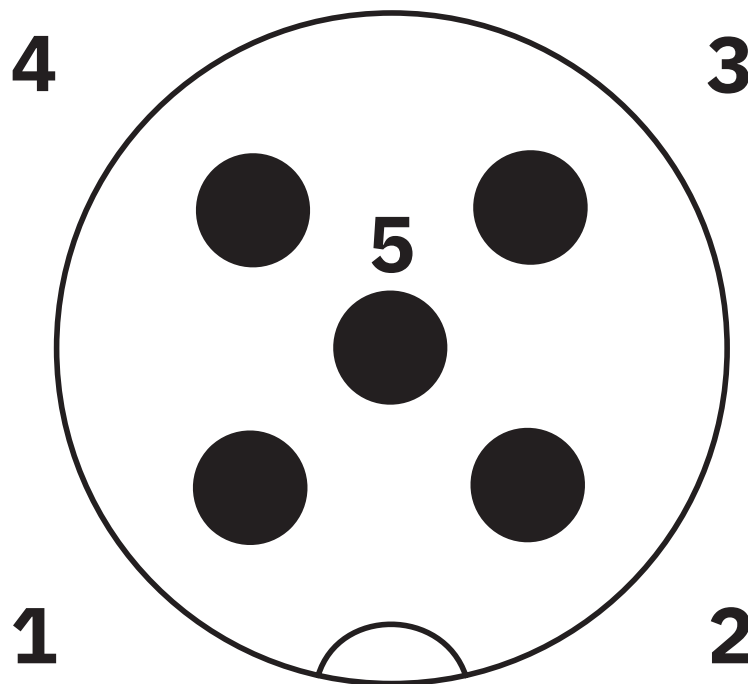
Standards/specifications	according to IEC 61076-2-101
--------------------------	------------------------------

1424712

<https://www.phoenixcontact.com/de/produkte/1424712>

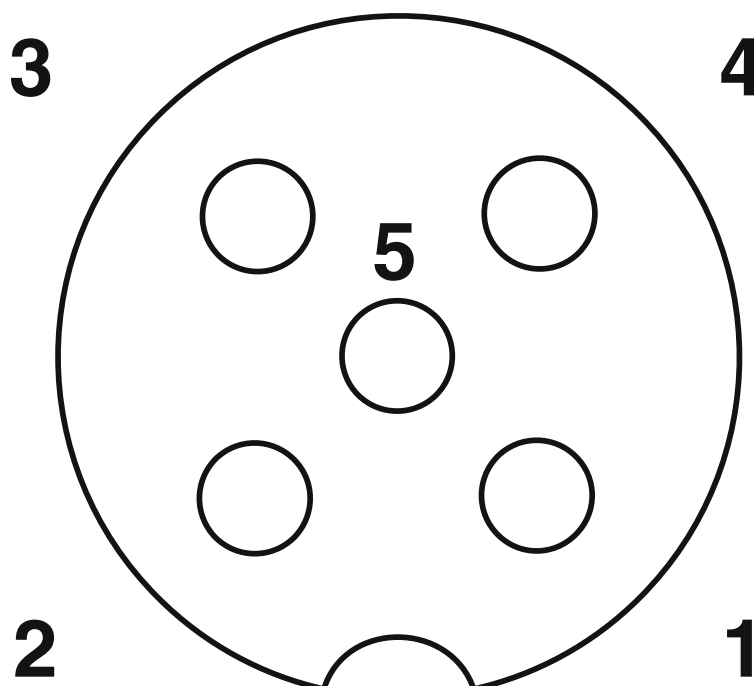
## Drawings

Schematic diagram



Pin assignment M12 male connector, 5-pos., A-coded, male side

Schematic diagram



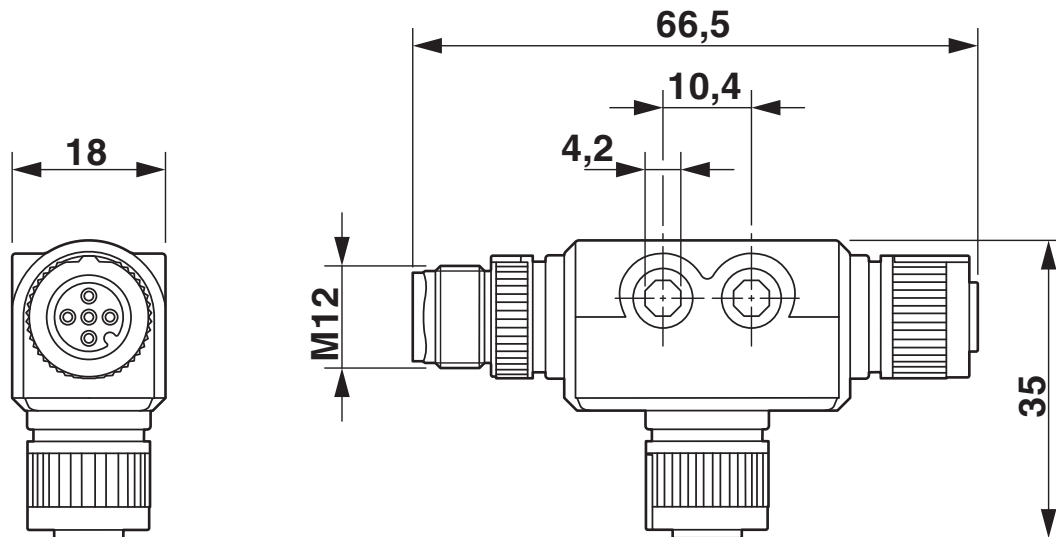
Pin assignment M12 socket, 5-pos., A-coded, socket side view

# SAC-5PT-F/F-M VP - T distributor

1424712

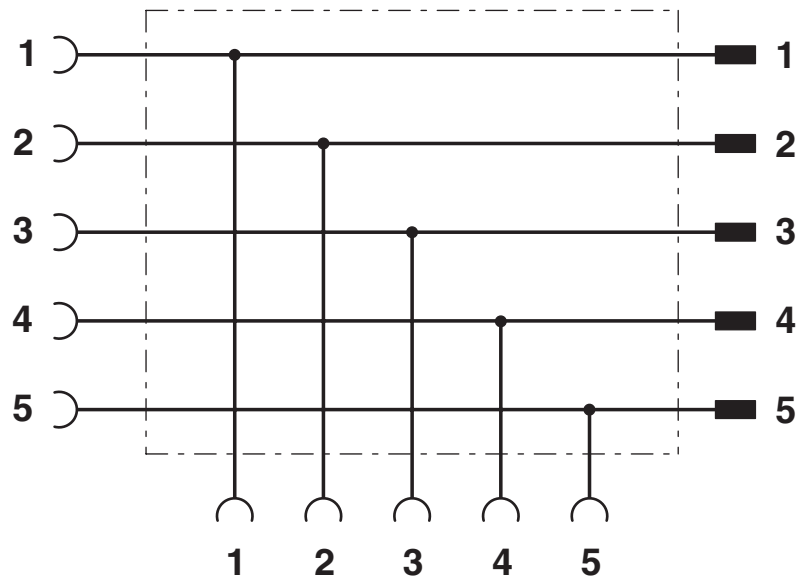
<https://www.phoenixcontact.com/de/produkte/1424712>

Dimensional drawing



M12 T distributor

Circuit diagram



# SAC-5PT-F/F-M VP - T distributor



1424712

<https://www.phoenixcontact.com/de/produkte/1424712>

## Classifications

### ECLASS

ECLASS-11.0	27440106
ECLASS-12.0	27440106
ECLASS-13.0	27440106

### ETIM

ETIM 8.0	EC002925
----------	----------

### UNSPSC

UNSPSC 21.0	31251500
-------------	----------

# SAC-5PT-F/F-M VP - T distributor



1424712

<https://www.phoenixcontact.com/de/produkte/1424712>

## Environmental Product Compliance

China RoHS	Environmentally friendly use period: unlimited = EFUP-e
	No hazardous substances above threshold values

# SAC-5PT-F/F-M VP - T distributor

1424712

<https://www.phoenixcontact.com/de/produkte/1424712>

## Accessories

### TSD 04 SAC - Torque screwdriver

1208429

<https://www.phoenixcontact.com/de/produkte/1208429>



Torque screwdriver, with preset torque of 0.4 Nm and 4 mm hexagonal drive for M12 connectors

---

### SAC BIT M12-D15 - Tool

1208432

<https://www.phoenixcontact.com/de/produkte/1208432>



Nut for assembling sensor/actuator cables with M12 connector and M12 connectors for assembly, with a knurl diameter of 15 mm, for 4 mm hexagonal drive



# SAC-5PT-F/F-M VP - T distributor

1424712

<https://www.phoenixcontact.com/de/produkte/1424712>

## PROT-M12 - Screw plug

1680539

<https://www.phoenixcontact.com/de/produkte/1680539>



An M12 screw plug for the unoccupied M12 sockets of the sensor/actuator cable, boxes and flush-type connectors

---

## PROT-M12 FS - Sealing cap

1560251

<https://www.phoenixcontact.com/de/produkte/1560251>



M12 sealing cap for unoccupied M12 plugs of the sensor/actuator cable, flush-type plugs and I/O devices in the field

# SAC-5PT-F/F-M VP - T distributor

1424712

<https://www.phoenixcontact.com/de/produkte/1424712>



## PROT-M12 MS-PA-CHAIN - Screw plug

1430899

<https://www.phoenixcontact.com/de/produkte/1430899>

M12 sealing cap with fixing band, for sensor cables, for free M12 sockets



---

## PROT-M12 FS-PA-CHAIN - Sealing cap

1430873

<https://www.phoenixcontact.com/de/produkte/1430873>

M12 sealing cap made of plastic with fixing band, for sensor cables, for free M12 plugs



---

Phoenix Contact 2023 © - all rights reserved  
<https://www.phoenixcontact.com>

PHOENIX CONTACT Deutschland GmbH  
Flachsmarktstraße 8  
D-32825 Blomberg  
+49 52 35/3-1 20 00  
[info@phoenixcontact.de](mailto:info@phoenixcontact.de)