

Y distributor - SAC-5PY-F/M-F VP SH



1419933

<https://www.phoenixcontact.com/de/produkte/1419933>

Please be informed that the data shown in this PDF document is generated from our Online Catalog. Please find the complete data in the user documentation. Our General Terms of Use for Downloads are valid.



Y distributor, 5-position, shielded, Socket straight M12 SPEEDCON, coding: A, on Socket straight M12 SPEEDCON, coding: A and Plug straight M12 SPEEDCON, coding: A, Parallel distributor

Your advantages

- Reliable signal transmission - 360° shielding in environments with electromagnetic interference
- Save time, thanks to installation with SPEEDCON fast locking system

Commercial Data

| | |
|--------------------------------------|-------------------------|
| Item number | 1419933 |
| Packing unit | 5 pc |
| Minimum order quantity | 1 pc |
| Sales Key | C1 - Sensor-Aktor-Kabel |
| Product Key | BF1GAC |
| Catalog Page | Page 253 (C-2-2019) |
| GTIN | 4046356528450 |
| Weight per Piece (including packing) | 46 g |
| Weight per Piece (excluding packing) | 46 g |
| Customs tariff number | 85366990 |
| Country of origin | PL |

Y distributor - SAC-5PY-F/M-F VP SH

1419933

<https://www.phoenixcontact.com/de/produkte/1419933>

Technical Data

Product properties

| | |
|----------------------|---------------|
| Product type | Y-distributor |
| Number of positions | 5 |
| No. of cable outlets | 2 |
| Shielded | yes |
| Coding | A - standard |
| Thread type | M12 |

Insulation characteristics

| | |
|----------------------|----|
| Overvoltage category | II |
| Degree of pollution | 3 |

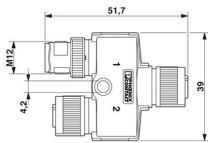
Electrical properties

| | |
|-----------------------|----------------------------|
| Insulation resistance | $\geq 100 \text{ M}\Omega$ |
| Nominal voltage U_N | 48 V AC |
| | 60 V DC |
| Nominal current I_N | 4 A |

LED signaling

| | |
|------------------------|----|
| Status display | No |
| Status display present | No |

Dimensions

| | |
|---------------------|--|
| Dimensional drawing |  |
| Width | 39 mm |
| Height | 16 mm |
| Length | 51.7 mm |
| Center distance | 21 mm |

Material specifications

| | |
|--|---|
| Color Handle area | black |
| Flammability rating according to UL 94 | HB |
| Sealing material | NBR |
| Material of grip body | TPU, hardly inflammable, self-extinguishing |
| Contact material | CuZn |
| Contact surface material | Ni/Au |
| Contact carrier material | TPU GF |
| Cable gland material | Zinc die-cast, nickel-plated |

Y distributor - SAC-5PY-F/M-F VP SH



1419933

<https://www.phoenixcontact.com/de/produkte/1419933>

Connector

| | |
|-----------------------------|-------|
| Insertion/withdrawal cycles | ≥ 100 |
|-----------------------------|-------|

Connection 1

| | |
|-------------------|----------|
| Head design | Socket |
| Head cable outlet | straight |
| Head thread type | M12 |
| Head locking type | SPEEDCON |
| Coding | A |

Connection 2

| | |
|-------------------|----------|
| Head design | Socket |
| Head cable outlet | straight |
| Head thread type | M12 |
| Head locking type | SPEEDCON |
| Coding | A |

Environmental and real-life conditions

Ambient conditions

| | |
|---------------------------------|----------------------------------|
| Degree of protection | IP65 |
| | IP67 |
| Ambient temperature (operation) | -25 °C ... 90 °C (Plug / socket) |

Standards and regulations

| | |
|--------------------------|-----------------|
| Standards/specifications | IEC 61076-2-101 |
|--------------------------|-----------------|

Y distributor - SAC-5PY-F/M-F VP SH

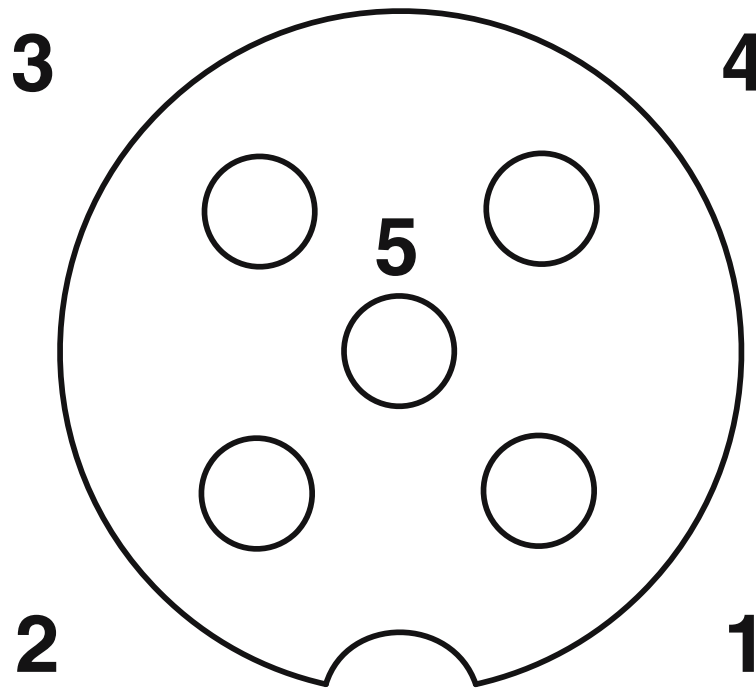
1419933

<https://www.phoenixcontact.com/de/produkte/1419933>



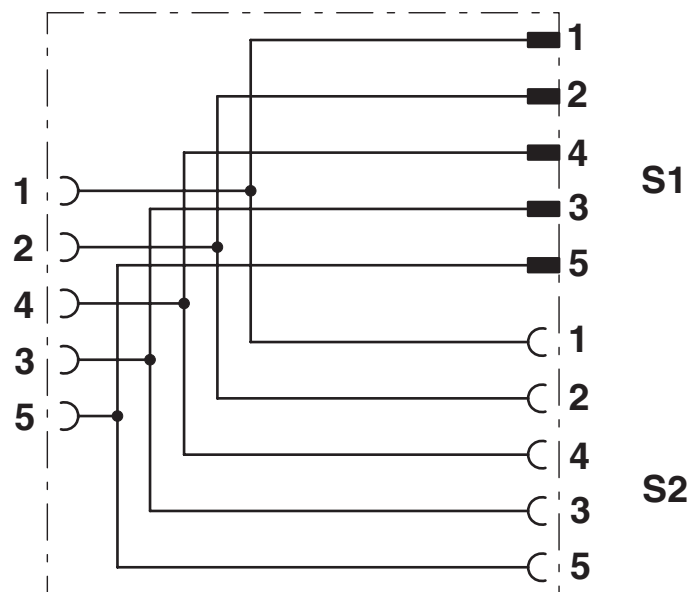
Drawings

Schematic diagram



Pin assignment M12 socket, 5-pos., A-coded, socket side view

Circuit diagram



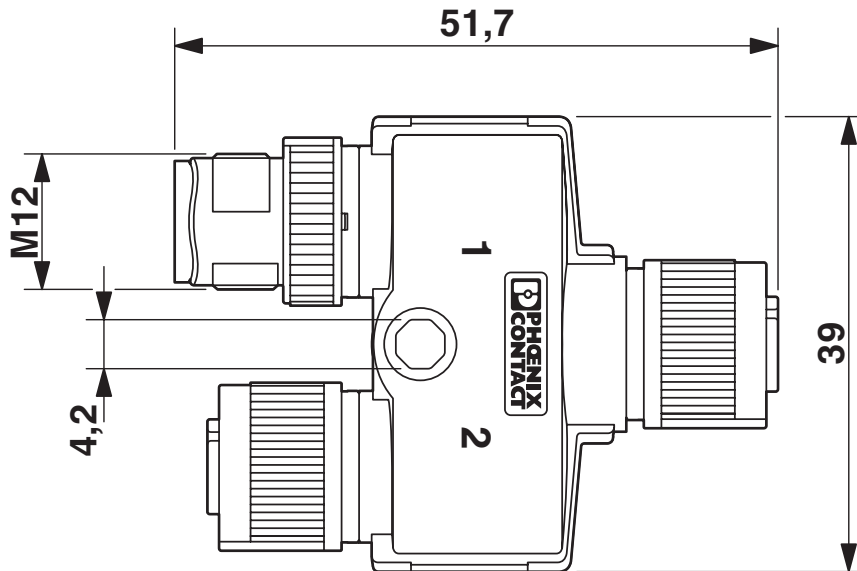
Y distributor - SAC-5PY-F/M-F VP SH

1419933

<https://www.phoenixcontact.com/de/produkte/1419933>

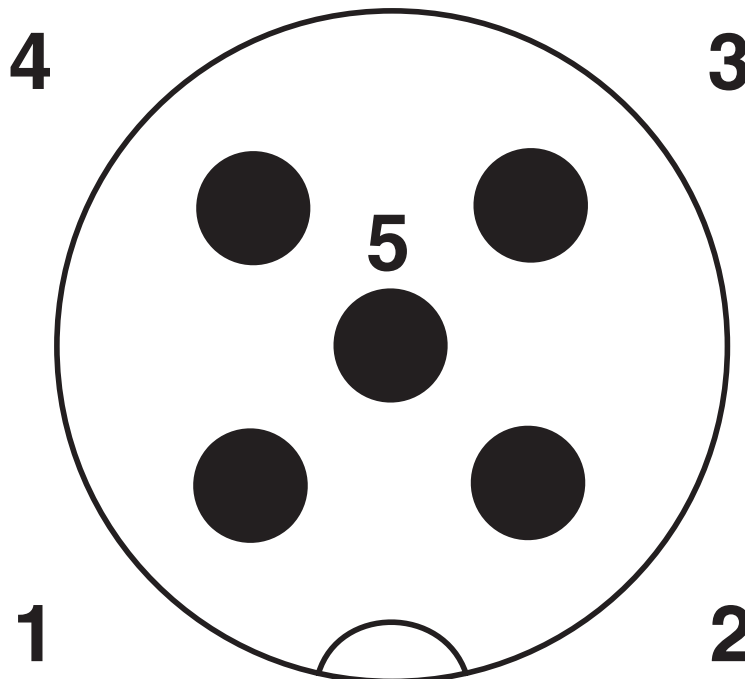


Dimensional drawing



M12 Y distributor

Schematic diagram



Pin assignment M12 male connector, 5-pos., A-coded, male side

Y distributor - SAC-5PY-F/M-F VP SH



1419933

<https://www.phoenixcontact.com/de/produkte/1419933>

Classifications

ECLASS

| | |
|---------------|----------|
| ECLASS-9.0 | 27440106 |
| ECLASS-10.0.1 | 27440106 |
| ECLASS-11.0 | 27440106 |
| ECLASS-12.0 | 27440106 |

ETIM

| | |
|----------|----------|
| ETIM 8.0 | EC002925 |
|----------|----------|

UNSPSC

| | |
|-------------|----------|
| UNSPSC 21.0 | 31251500 |
|-------------|----------|

Y distributor - SAC-5PY-F/M-F VP SH



1419933

<https://www.phoenixcontact.com/de/produkte/1419933>

Environmental Product Compliance

| | |
|------------|---|
| China RoHS | Environmentally friendly use period: unlimited = EFUP-e No hazardous substances above threshold values |
|------------|---|

Y distributor - SAC-5PY-F/M-F VP SH

1419933

<https://www.phoenixcontact.com/de/produkte/1419933>

Accessories

Torque screwdriver

Torque screwdriver - TSD 04 SAC - 1208429

<https://www.phoenixcontact.com/de/produkte/1208429>



Torque screwdriver, with preset torque of 0.4 Nm and 4 mm hexagonal drive for M12 connectors

Tool

Tool - SAC BIT M12-D15 - 1208432

<https://www.phoenixcontact.com/de/produkte/1208432>



Nut for assembling sensor/actuator cables with M12 connector and M12 connectors for assembly, with a knurl diameter of 15 mm, for 4 mm hexagonal drive

Y distributor - SAC-5PY-F/M-F VP SH

1419933

<https://www.phoenixcontact.com/de/produkte/1419933>

Screw plug

Screw plug - PROT-M12 SH - 1503302

<https://www.phoenixcontact.com/de/produkte/1503302>



An M12 screw plug for the unoccupied M12 sockets of the shielded sensor/actuator cable, boxes and flush-type connectors

Sealing cap

Sealing cap - PROT-M12 FS-M - 1430488

<https://www.phoenixcontact.com/de/produkte/1430488>



M12 metal sealing cap for unoccupied M12 plugs of the sensor/actuator cable, flush-type plugs and I/O devices in the field

Y distributor - SAC-5PY-F/M-F VP SH

1419933

<https://www.phoenixcontact.com/de/produkte/1419933>



Screw plug

Screw plug - PROT-M12 MS-PA-CHAIN - 1430899

<https://www.phoenixcontact.com/de/produkte/1430899>

M12 sealing cap with fixing band, for sensor cables, for free M12 sockets



Sealing cap

Sealing cap - PROT-M12 FS-PA-CHAIN - 1430873

<https://www.phoenixcontact.com/de/produkte/1430873>

M12 sealing cap made of plastic with fixing band, for sensor cables, for free M12 plugs



Phoenix Contact 2022 © - all rights reserved
<https://www.phoenixcontact.com>

PHOENIX CONTACT Deutschland GmbH
Flachsmarktstraße 8
D-32825 Blomberg
+49 52 35/3-1 20 00
info@phoenixcontact.de