

Panel feed-through - SACC-5P-DSI-M12MS/FS-M16



1551671

<https://www.phoenixcontact.com/de/produkte/1551671>

Please be informed that the data shown in this PDF document is generated from our Online Catalog. Please find the complete data in the user documentation. Our General Terms of Use for Downloads are valid.



Sensor/actuator control cabinet feed-through, male to female, 5-pos., M12, shielded, A-coded, bipolar/screw mounting with M16 thread

Commercial Data

Item number	1551671
Packing unit	1 pc
Minimum order quantity	1 pc
Sales Key	C1 - Sensor-Aktor-Kabel
Product Key	ABQZCA
Catalog Page	Page 53 (C-2-2019)
GTIN	4046356156226
Weight per Piece (including packing)	41,12 g
Weight per Piece (excluding packing)	30,2 g
Customs tariff number	85366990
Country of origin	CZ

Technical Data

Notes

Notes on operation	The electrical and mechanical data specified assume that the connector pair is correctly locked and mounted. If the connector is unlocked and if there is a danger of contamination, the connector must be sealed using a protective cap > IP54. Influences arising from litz wires, cables or PCB assembly must also be taken into consideration.
Safety note	<p>WARNING: The connectors may not be plugged in or disconnected under load. Ignoring the warning or improper use may damage persons and/or property.</p> <ul style="list-style-type: none">• WARNING: Commission properly functioning products only. The products must be regularly inspected for damage. Decommission defective products immediately. Replace damaged products. Repairs are not possible.• WARNING: Only electrically qualified personnel may install and operate the product. They must observe the following safety notes. The qualified personnel must be familiar with the basics of electrical engineering. They must be able to recognize and prevent danger. The relevant symbol on the packaging indicates that only personnel familiar with electrical engineering are allowed to install and operate the product.• The products are suitable for applications in plant, controller, and electrical device engineering.• When operating the connectors in outdoor applications, they must be separately protected against environmental influences.• Assembled products may not be manipulated or improperly opened.• Only use mating connectors that are specified in the technical data of the standards listed (e.g. the ones listed in the product accessories online at phoenixcontact.com/products).• When using the product in direct connection with third-party manufacturers, the user is responsible.• For operating voltages > 50 V AC, conductive connector housings must be grounded• Ensure that when laying the cable, the tensile load on the connectors does not exceed the upper limit specified in the standards.• Observe the corresponding technical data. You will find information:<ul style="list-style-type: none">o On the producto On the packing labelo In the supplied documentationo Online at phoenixcontact.com/products under the product• Only use tools recommended by Phoenix Contact• Use a protective cap to protect connectors that are not in use. The suitable accessories are available online in the accessory section of the product at phoenixcontact.com/products• Ensure that the protective or functional ground has been properly connected.

1551671

<https://www.phoenixcontact.com/de/produkte/1551671>

	<ul style="list-style-type: none"> • VDE 0100/1.97 § 411.1.3.2 and DIN EN 60 204/11.98 § 14.1.3 are applicable when combining several circuits in a cable and/or connector • The connector warms up in normal operation. Depending on the ambient conditions, the surface of the connector can continue to warm up. In this case, the user is responsible for posting warnings (e.g. DIN EN ISO 13732-1:2008-12).
--	---

Product properties

Product type	Circular connectors (device side)
Number of positions	5
Coding	A - standard
Thread type	M12

Insulation characteristics

Overvoltage category	II
Degree of pollution	2

Ambient conditions

Degree of protection	IP67
Degree of protection	IP65/IP67
Ambient temperature (operation)	-25 °C ... 85 °C (Plug / socket)
	-40 °C ... 85 °C (without mechanical actuation)

Connector

Insertion/withdrawal cycles	> 100
-----------------------------	-------

Connection 1

Head design	Socket
Head cable outlet	straight
Head thread type	M12
Coding	A-coded

Connection 2

Head design	Socket
Head cable outlet	straight
Head thread type	M12
Coding	A-coded

Electrical properties

Rated surge voltage	1.5 kV
Contact resistance	≤ 3 mΩ
Insulation resistance	≥ 100 MΩ
Nominal voltage U_N	60 V
Nominal current I_N	4 A

Material specifications

Panel feed-through - SACC-5P-DSI-M12MS/FS-M16



1551671

<https://www.phoenixcontact.com/de/produkte/1551671>

Flammability rating according to UL 94	HB
Sealing material	FKM
Contact material	CuZn
Contact surface material	Au
Contact carrier material	PA 6.6
Cable gland material	Nickel-plated brass

Mounting

Mounting type	Bipolar/screw mounting
---------------	------------------------

Standards and regulations

M12

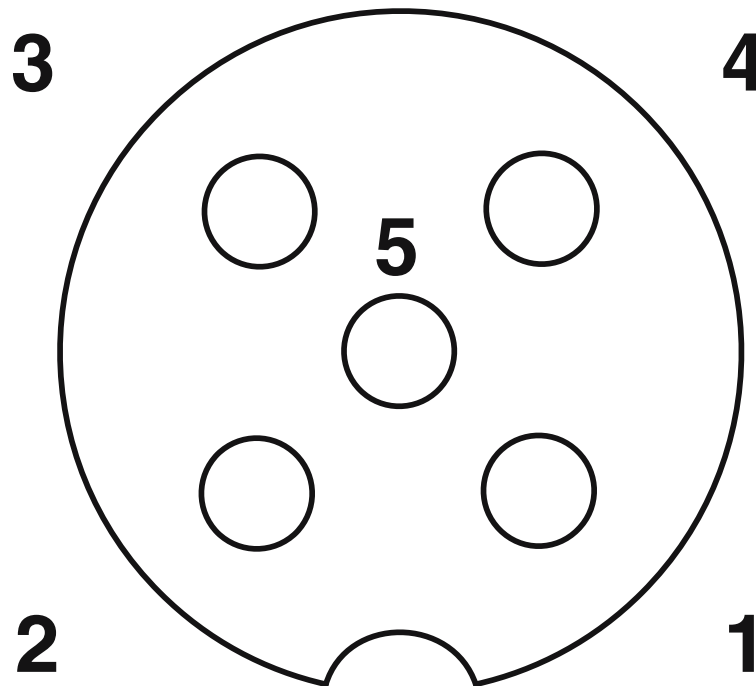
Standards/specifications	IEC 61076-2-101
--------------------------	-----------------

Cable / line

Signal type/category	Universal
----------------------	-----------

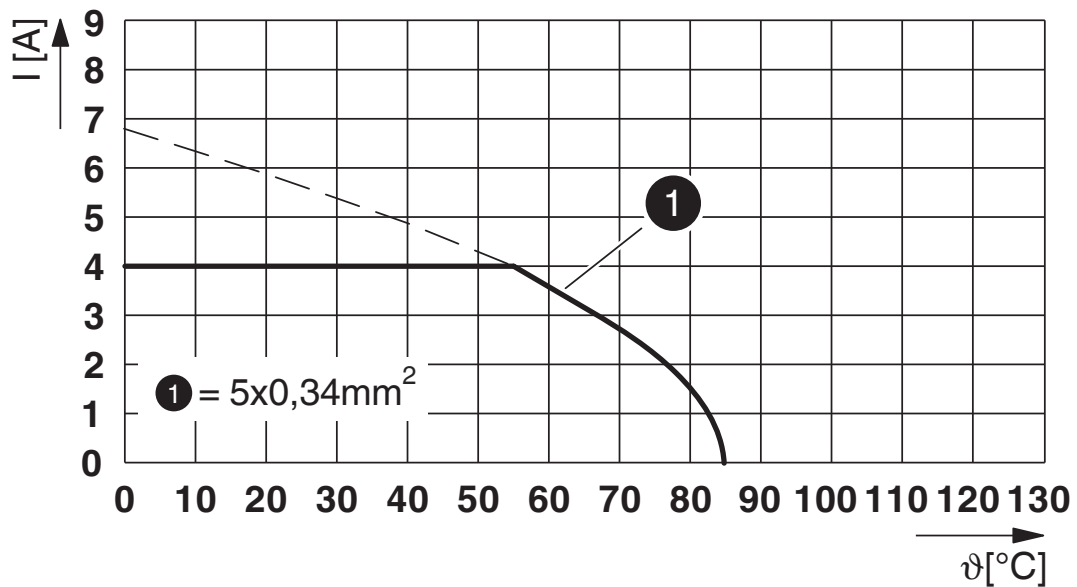
Drawings

Schematic diagram



Pin assignment M12 socket, 5-pos., A-coded, socket side view

Diagram



I = current strength, T = ambient temperature

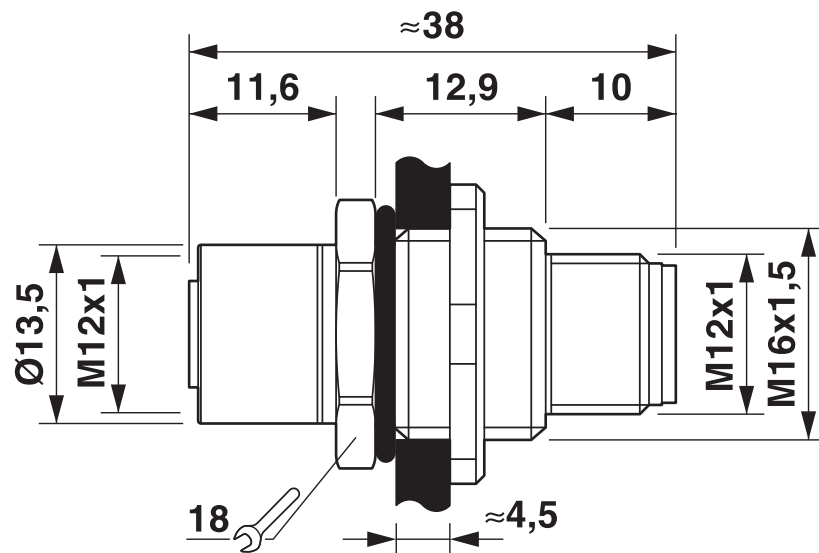
1551671

<https://www.phoenixcontact.com/de/produkte/1551671>

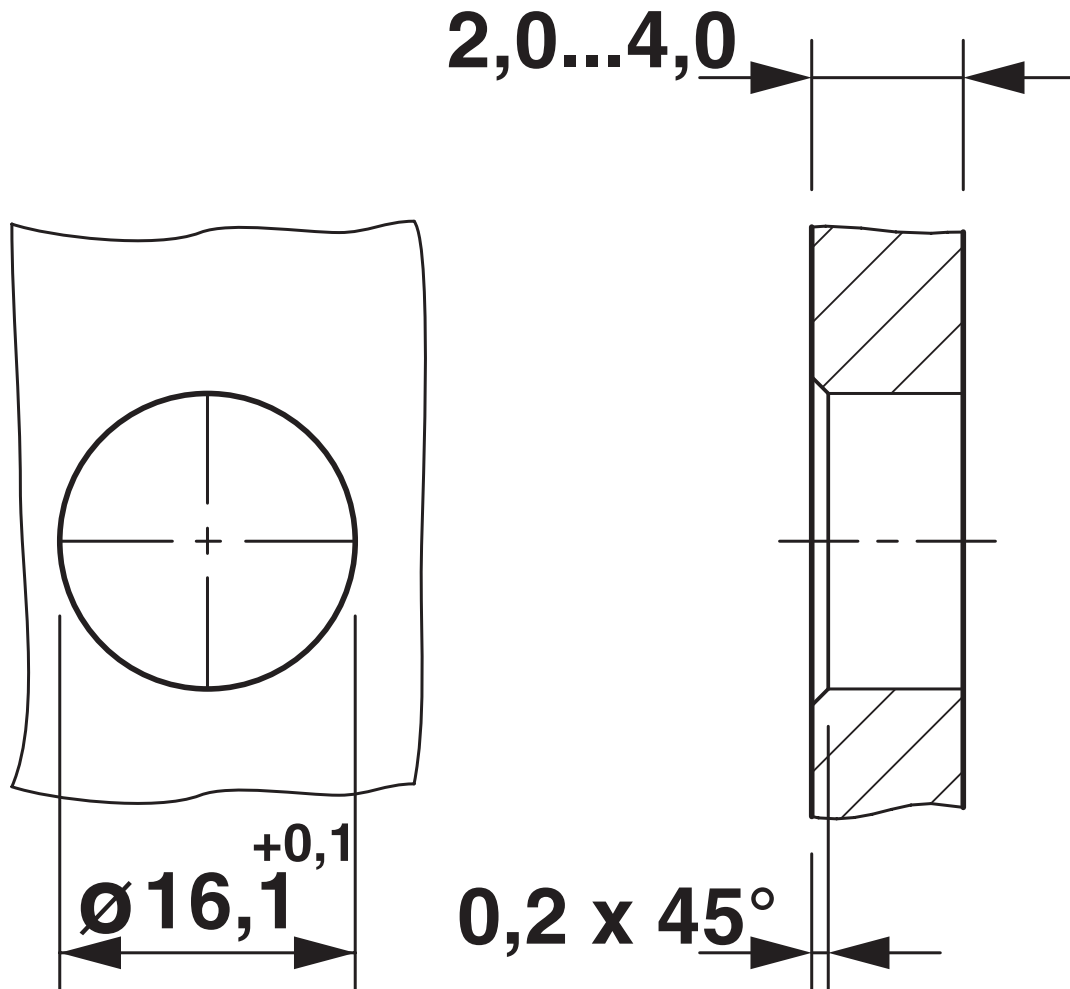
Circuit diagram



Dimensional drawing



Dimensional drawing

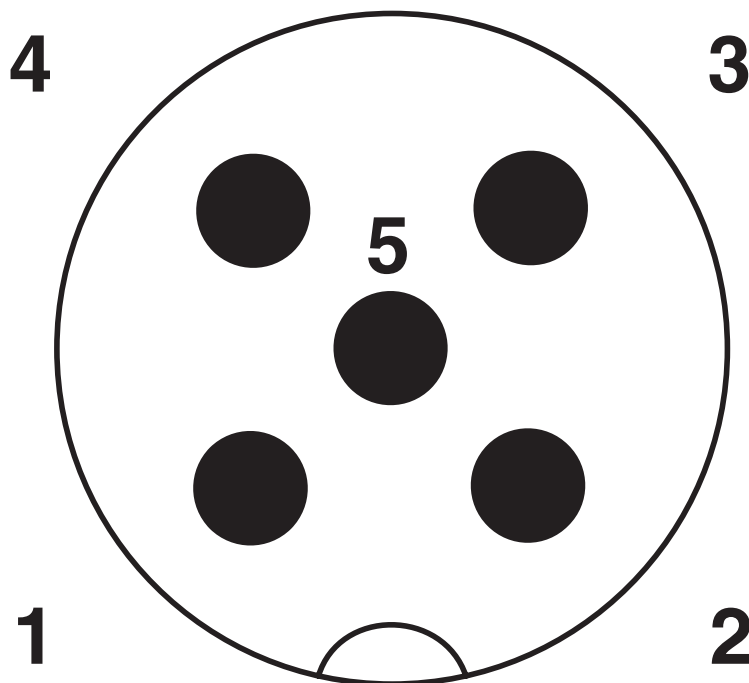


Mounting cutout

1551671

<https://www.phoenixcontact.com/de/produkte/1551671>

Schematic diagram



Pin assignment M12 male connector, 5-pos., A-coded, male side

Panel feed-through - SACC-5P-DSI-M12MS/FS-M16



1551671

<https://www.phoenixcontact.com/de/produkte/1551671>

Approvals



EAC

Approval ID: B.01687

Panel feed-through - SACC-5P-DSI-M12MS/FS-M16



1551671

<https://www.phoenixcontact.com/de/produkte/1551671>

Classifications

ECLASS

ECLASS-10.0.1	27440102
ECLASS-9.0	27440102
ECLASS-11.0	27440102

ETIM

ETIM 8.0	EC002635
----------	----------

UNSPSC

UNSPSC 21.0	39121400
-------------	----------

Panel feed-through - SACC-5P-DSI-M12MS/FS-M16



1551671

<https://www.phoenixcontact.com/de/produkte/1551671>

Environmental Product Compliance

REACH SVHC	Lead 7439-92-1
China RoHS	Environmentally Friendly Use Period = 50 years
	For information on hazardous substances, refer to the manufacturer's declaration available under "Downloads"

1551671

<https://www.phoenixcontact.com/de/produkte/1551671>

Accessories

Screw plug

Screw plug - PROT-M12 - 1680539

<https://www.phoenixcontact.com/de/produkte/1680539>



An M12 screw plug for the unoccupied M12 sockets of the sensor/actuator cable, boxes and flush-type connectors

Sealing cap

Sealing cap - PROT-M12 FS - 1560251

<https://www.phoenixcontact.com/de/produkte/1560251>



M12 sealing cap for unoccupied M12 plugs of the sensor/actuator cable, flush-type plugs and I/O devices in the field

1551671

<https://www.phoenixcontact.com/de/produkte/1551671>

Screw plug

Screw plug - PROT-M12 SH - 1503302

<https://www.phoenixcontact.com/de/produkte/1503302>



An M12 screw plug for the unoccupied M12 sockets of the shielded sensor/actuator cable, boxes and flush-type connectors

Sealing cap

Sealing cap - PROT-M12 FS-M - 1430488

<https://www.phoenixcontact.com/de/produkte/1430488>



M12 metal sealing cap for unoccupied M12 plugs of the sensor/actuator cable, flush-type plugs and I/O devices in the field

Phoenix Contact 2022 © - all rights reserved
<https://www.phoenixcontact.com>

PHOENIX CONTACT Deutschland GmbH
Flachsmarktstraße 8
D-32825 Blomberg
+49 52 35/3-1 20 00
info@phoenixcontact.de