

Front plate - SI-FP-R1A-U1A



1404499

<https://www.phoenixcontact.com/de/produkte/1404499>

Please be informed that the data shown in this PDF document is generated from our Online Catalog. Please find the complete data in the user documentation. Our General Terms of Use for Downloads are valid.



Front plate with contact inserts, plastic with shroud, 1 x USB (socket/socket) type A; 1 x RJ45, 8-pos. metal, CAT5e (socket/socket)

Commercial Data

Item number	1404499
Packing unit	1 pc
Minimum order quantity	1 pc
Sales Key	D1 - Steckverbinder
Product Key	BF7EDX
Catalog Page	Page 711 (C-2-2019)
GTIN	4046356698412
Weight per Piece (including packing)	66,7 g
Weight per Piece (excluding packing)	53,1 g
Customs tariff number	85366990
Country of origin	CZ

Front plate - SI-FP-R1A-U1A

1404499

<https://www.phoenixcontact.com/de/produkte/1404499>

Technical Data

Notes

Assembly instruction:	Strain relief USB internal: cable tie
-----------------------	---------------------------------------

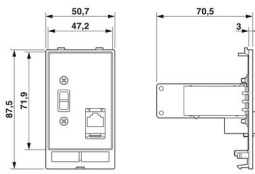
Product properties

Product type	Data front plate
Shielded	yes

Electrical properties

Rated voltage (III/3)	max. 42.4 V DC (RJ45, USB A, UL-Rating)
	max. 30 V AC (RJ45, USB A, UL-Rating)
	48 V AC/DC (USB A)
Rated current	1.5 A (USB A)
	175 mA (RJ45)

Dimensions

Dimensional drawing	
Width	50.7 mm
Height	87.5 mm
Depth	60 mm

Material specifications

Color	gray
Material	PBT (Front plate)

Connector

Contact insert design	with 1x RJ45 Socket/socket, snap-in slot locking
	with 1x USB A 3.0 Socket/socket, snap-in slot locking

Environmental and real-life conditions

Ambient conditions

Degree of protection	IP20
Ambient temperature (operation)	-10 °C ... 60 °C

Mounting

Assembly instructions	suitable for all mounting frames
-----------------------	----------------------------------

Front plate - SI-FP-R1A-U1A

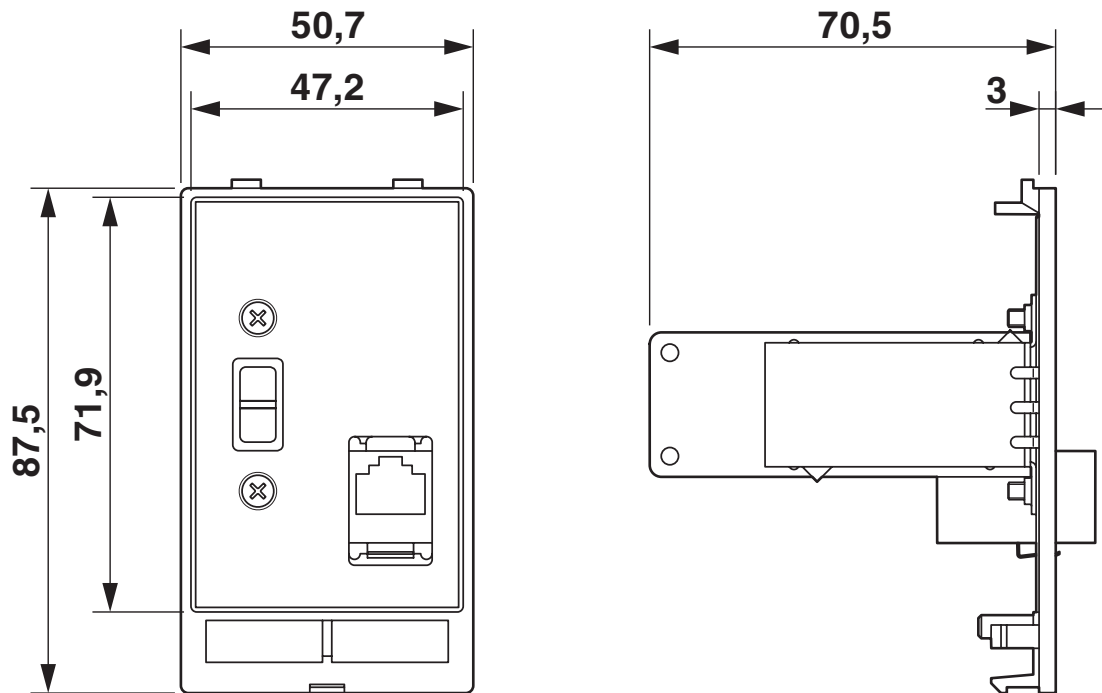
1404499

<https://www.phoenixcontact.com/de/produkte/1404499>



Drawings

Dimensional drawing



Dimensional drawing

Front plate - SI-FP-R1A-U1A



1404499

<https://www.phoenixcontact.com/de/produkte/1404499>

Approvals



cUL Recognized
Approval ID: FILE E 238705



UL Recognized
Approval ID: FILE E 238705



EAC
Approval ID: RU C-DE.A*30.B.01102

cULus Recognized

Front plate - SI-FP-R1A-U1A

1404499

<https://www.phoenixcontact.com/de/produkte/1404499>



Classifications

ECLASS

ECLASS-9.0	27189217
ECLASS-10.0.1	27182806
ECLASS-11.0	27182806

ETIM

ETIM 8.0	EC000456
----------	----------

UNSPSC

UNSPSC 21.0	39121300
-------------	----------

Front plate - SI-FP-R1A-U1A

1404499

<https://www.phoenixcontact.com/de/produkte/1404499>



Environmental Product Compliance

China RoHS

Environmentally Friendly Use Period = 50 years

For information on hazardous substances, refer to the manufacturer's declaration available under "Downloads"

Front plate - SI-FP-R1A-U1A

1404499

<https://www.phoenixcontact.com/de/produkte/1404499>



Accessories

Snap-in markers

Snap-in markers - UCT-EM (20X7) - 0801494

<https://www.phoenixcontact.com/de/produkte/0801494>



Snap-in markers, Sheet, white, unlabeled, can be labeled with: TOPMARK NEO, TOPMARK LASER, BLUEMARK ID COLOR, BLUEMARK ID, BLUEMARK CLED, THERMOMARK PRIME, THERMOMARK CARD 2.0, THERMOMARK CARD, mounting type: snapped, lettering field size: 20 x 7 mm, Number of individual labels: 24

Phoenix Contact 2022 © - all rights reserved
<https://www.phoenixcontact.com>

PHOENIX CONTACT Deutschland GmbH
Flachsmarktstraße 8
D-32825 Blomberg
+49 52 35/3-1 20 00
info@phoenixcontact.de