


SPV 2,5/ 1-M

Order No.: 3041053



<http://catalog.phoenixcontact.net/phoenix/treeViewClick.do?UID=3041053>

Connectors, Connection method: Spring-cage connection, Number of positions: 1, Cross section: 0.08 mm² - 4 mm², AWG 28 - 12, Width: 5.2 mm, Height: 34 mm, Color: gray

| Commercial data | |
|--------------------------|--|
| EAN |  4 046356 055024 |
| sales group | A671 |
| Pack | 50 Pcs. |
| Customs tariff | 85366990 |
| Catalog page information | Page 341 (CL1-2011) |

Product notes

WEEE/RoHS-compliant since:
01/01/2005



<http://www.download.phoenixcontact.com>
Please note that the data given here has been taken from the online catalog. For comprehensive information and data, please refer to the user documentation. The General Terms and Conditions of Use apply to Internet downloads.

Product description

Connector element center, left housing with engagement pin, right opened without cover

Technical data

Dimensions

| | |
|-------|--------|
| Width | 5.2 mm |
|-------|--------|

| | |
|--------|---------|
| Length | 23.4 mm |
| Height | 34 mm |

Technical data

| | |
|----------------------------------|---|
| Maximum load current | 24 A (with 2.5 mm ² conductor cross section) |
| Rated surge voltage | 6 kV |
| Pollution degree | 3 |
| Surge voltage category | III |
| Insulating material group | I |
| Connection in acc. with standard | IEC 61984 |
| Nominal current I _N | 24 A |
| Nominal voltage U _N | 500 V |
| Open side panel | nein |
| Number of positions | 1 |

Connection data

| | |
|--|------------------------|
| Conductor cross section solid min. | 0.08 mm ² |
| Conductor cross section solid max. | 4 mm ² |
| Conductor cross section stranded min. | 0.08 mm ² |
| Conductor cross section stranded max. | 2.5 mm ² |
| Conductor cross section AWG/kcmil min. | 28 |
| Conductor cross section AWG/kcmil max | 12 |
| Conductor cross section stranded, with ferrule without plastic sleeve min. | 0.14 mm ² |
| Conductor cross section stranded, with ferrule without plastic sleeve max. | 2.5 mm ² |
| Conductor cross section stranded, with ferrule with plastic sleeve min. | 0.14 mm ² |
| Conductor cross section stranded, with ferrule with plastic sleeve max. | 2.5 mm ² |
| 2 conductors with same cross section, stranded max. | 0.5 mm ² |
| Connection method | Spring-cage connection |
| Stripping length | 10 mm |
| Internal cylindrical gage | A3 |

Certificates / Approvals

| | |
|---------------|---------------|
| Certification | CUL, GOST, UL |
|---------------|---------------|

Accessories

| Item | Designation | Description |
|------|-------------|-------------|
|------|-------------|-------------|

Assembly

| | | |
|---------|----------|---|
| 3041862 | PRV/2 | Latching, Number of positions: 2, Color: orange |
| 3040591 | PSH 3- 6 | Shield connection clamp, Color: black |
| 3040601 | PSH 5-10 | Shield connection clamp, Color: black |
| 3040627 | PZ/2 | Strain relief, Number of positions: 2, Color: black |
| 3040643 | PZ/4 | Strain relief, Number of positions: 4, Color: black |

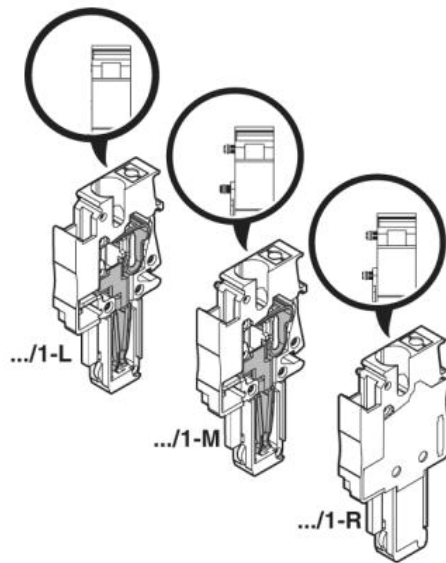
Plug/Adapter

| | | |
|---------|-----------|---------------------------------|
| 0201689 | MPS-IH BU | Insulating sleeve, Color: blue |
| 0201676 | MPS-IH RD | Insulating sleeve, Color: red |
| 0201663 | MPS-IH WH | Insulating sleeve, Color: white |
| 0201744 | MPS-MT | Test plugs |
| 3030983 | PS-5 | Test adapter, Color: red |
| 0201647 | RPS | Reducing plug, Color: gray |

DrawingsCircuit diagram



Schematic diagram



Connection data incl. use groups





SPV 2,5/ 1-M Order No.: 3041053

<http://catalog.phoenixcontact.net/phoenix/treeViewClick.do?UID=3041053>

Address

PHOENIX CONTACT Deutschland GmbH
Flachmarktstr. 8
32825 Blomberg, Germany
Phone +49 5235 3 12000
Fax +49 5235 3 41200
<http://www.phoenixcontact.de>



© 2012 Phoenix Contact
Technical modifications reserved;