


## SPV 2,5/ 1-R GNYE

Order No.: 3041105



<http://catalog.phoenixcontact.net/phoenix/treeViewClick.do?UID=3041105>

Connectors, Connection method: Spring-cage connection, Number of positions: 1, Cross section: 0.08 mm<sup>2</sup> - 4 mm<sup>2</sup>, AWG 28 - 12, Width: 5.2 mm, Height: 34 mm, Color: green-yellow

Commercial data	
EAN	 4 046356 055079
sales group	A671
Pack	50 Pcs.
Customs tariff	85366990
Catalog page information	Page 341 (CL1-2011)

### Product notes

WEEE/RoHS-compliant since:  
01/04/2007



<http://www.download.phoenixcontact.com>  
Please note that the data given here has been taken from the online catalog. For comprehensive information and data, please refer to the user documentation. The General Terms and Conditions of Use apply to Internet downloads.

### Product description

Connector element right, left housing with engagement pin, right closed with cover

### Technical data

#### Dimensions

Width	5.2 mm
-------	--------

Length	23.4 mm
Height	34 mm

**Technical data**

Maximum load current	24 A (with 2.5 mm <sup>2</sup> conductor cross section)
Rated surge voltage	6 kV
Pollution degree	3
Surge voltage category	III
Insulating material group	I
Connection in acc. with standard	IEC 61984
Nominal current I <sub>N</sub>	24 A
Nominal voltage U <sub>N</sub>	500 V
Open side panel	nein
Number of positions	1

**Connection data**

Conductor cross section solid min.	0.08 mm <sup>2</sup>
Conductor cross section solid max.	4 mm <sup>2</sup>
Conductor cross section stranded min.	0.08 mm <sup>2</sup>
Conductor cross section stranded max.	2.5 mm <sup>2</sup>
Conductor cross section AWG/kcmil min.	28
Conductor cross section AWG/kcmil max	12
Conductor cross section stranded, with ferrule without plastic sleeve min.	0.14 mm <sup>2</sup>
Conductor cross section stranded, with ferrule without plastic sleeve max.	2.5 mm <sup>2</sup>
Conductor cross section stranded, with ferrule with plastic sleeve min.	0.14 mm <sup>2</sup>
Conductor cross section stranded, with ferrule with plastic sleeve max.	2.5 mm <sup>2</sup>
2 conductors with same cross section, stranded max.	0.5 mm <sup>2</sup>
Connection method	Spring-cage connection
Stripping length	10 mm
Internal cylindrical gage	A3

**Certificates / Approvals**

Certification	CUL, GOST, UL
---------------	---------------

---

---

### Accessories

Item	Designation	Description
------	-------------	-------------

#### Assembly

3041862	PRV/2	Latching, Number of positions: 2, Color: orange
3040591	PSH 3- 6	Shield connection clamp, Color: black
3040601	PSH 5-10	Shield connection clamp, Color: black
3040627	PZ/2	Strain relief, Number of positions: 2, Color: black
3040643	PZ/4	Strain relief, Number of positions: 4, Color: black

#### Plug/Adapter

0201689	MPS-IH BU	Insulating sleeve, Color: blue
0201676	MPS-IH RD	Insulating sleeve, Color: red
0201663	MPS-IH WH	Insulating sleeve, Color: white
0201744	MPS-MT	Test plugs
3030983	PS-5	Test adapter, Color: red
0201647	RPS	Reducing plug, Color: gray

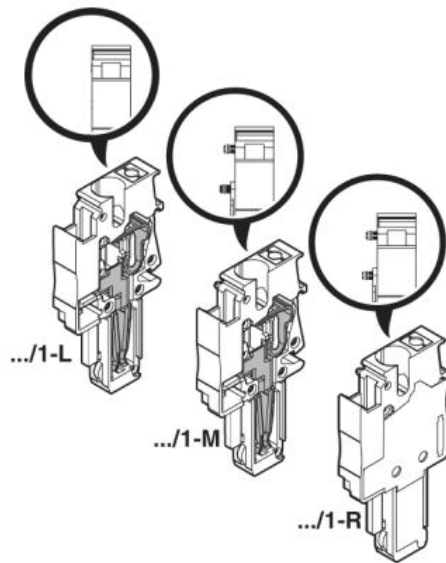
### Drawings

Circuit diagram



Schematic diagram

---



Connection data incl. use groups

---





SPV 2,5/ 1-R GNYE Order No.: 3041105

<http://catalog.phoenixcontact.net/phoenix/treeViewClick.do?UID=3041105>

---

**Address**

PHOENIX CONTACT Deutschland GmbH  
Flachmarktstr. 8  
32825 Blomberg, Germany  
Phone +49 5235 3 12000  
Fax +49 5235 3 41200  
<http://www.phoenixcontact.de>



© 2012 Phoenix Contact  
Technical modifications reserved;