

SUBCON-PLUS-CAN - D-SUB bus connector



2744694

<https://www.phoenixcontact.com/de/produkte/2744694>

Please be informed that the data shown in this PDF document is generated from our online catalog. Please find the complete data in the user documentation. Our general terms of use for downloads are valid.



D-SUB connector, 9-pos. socket, two 35° cable outlets to one terminal block row, bus system: CAN, CANopen®, SafetyBUS p up to 1 Mbps, termination resistor can be switched on via slide switch, pin assignment: 2, 3, 7; screw connection terminal blocks

Product description

The SUBCON-PLUS-CAN/... D-SUB series is specifically designed for use in CAN systems. Under field conditions, it enables the quick and easy connection of the incoming and outgoing bus line. The terminating resistor is already integrated in all versions. It can be connected externally by means of a slide switch. At the same time, the outgoing bus segment is switched off. This makes it easy to start up segment by segment while incorrect terminations are avoided. A special feature of the 35° angled connector is that the internal connection unit can be turned round. Whether the cable is to be inserted from the right or left can thus be decided on-site.

Your advantages

- Separate terminal blocks for bus cables
- High transmission speed
- Segment-by-segment startup
- Flexibility in terms of cable entry selection
- Assembly under field conditions
- High level of EMC
- Suitable for bus cables according to CiA Draft Recommendation 303-1 with an outside diameter of 8 mm
- Termination resistor can be connected
- Change to the D-SUB orientation through a reversible connection block

Commercial data

Item number	2744694
Packing unit	1 pc
Minimum order quantity	1 pc
Sales key	M1 - Kommunikationstechn.
Product key	DNC541
Catalog page	Page 449 (C-6-2019)
GTIN	4017918821760
Weight per piece (including packing)	68,9 g
Weight per piece (excluding packing)	54,3 g
Customs tariff number	85366990
Country of origin	DE

SUBCON-PLUS-CAN - D-SUB bus connector



2744694

<https://www.phoenixcontact.com/de/produkte/2744694>

Technical data

Notes

Note on application

Note on application	Only for industrial use
---------------------	-------------------------

Utilization restriction

CCCex note	Use in potentially explosive areas is not permitted in China.
------------	---

Product properties

Product type	Data plug
MTTF	6706 Years (SN 29500 standard, temperature 25°C, operating cycle 21%)
	1817 Years (SN 29500 standard, temperature 40°C, operating cycle 34.25%)
	155 Years (SN 29500 standard, temperature 40°C, operating cycle 100%)
Pin assignment	2, 3, 7

Data management status

Article revision	09
------------------	----

Electrical properties

Nominal voltage U_N	5 V
Nominal current I_N	100 mA
Transmission medium	Copper

Connection data

D-SUB connection

Connection method	D-SUB socket
-------------------	--------------

PCB connection

Connection method	Screw connection
Stripping length	5 mm
Conductor cross section, rigid min.	0.14 mm ²
Conductor cross section, rigid max.	1.5 mm ²
Conductor cross section flexible min.	0.14 mm ²
Conductor cross section flexible max.	1 mm ²
Single-wire/terminal point, rigid AWG min.	26
Single-wire/terminal point, rigid AWG max.	16
Min. AWG conductor cross section, flexible	26
Max. AWG conductor cross section, flexible	18

Interfaces

Bus system	CAN, CANopen, SafetyBus-P
------------	---------------------------

SUBCON-PLUS-CAN - D-SUB bus connector

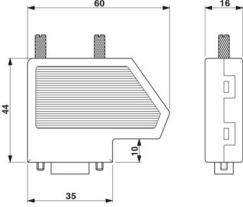


2744694

<https://www.phoenixcontact.com/de/produkte/2744694>

Signal	CAN
	CANopen®
	SafetyBUS p

Dimensions

Dimensional drawing	
Width	16 mm
Height	44 mm
Length	60 mm

Material specifications

Material (Housing)	ABS (metal-plated)
--------------------	--------------------

Cable/line

External cable diameter	6 mm ... 10 mm (Incoming bus line)
-------------------------	------------------------------------

Mechanical properties

Mechanical data

Insertion/withdrawal cycles	> 200
-----------------------------	-------

Environmental and real-life conditions

Ambient conditions

Degree of protection	IP40
Ambient temperature (operation)	-20 °C ... 75 °C
Ambient temperature (storage/transport)	-25 °C ... 80 °C
Altitude	≤ 5000 m (For restrictions, see the manufacturer's declaration for altitude operation)
Permissible humidity (operation)	10 % ... 95 % (non-condensing)
Permissible humidity (storage/transport)	5 % ... 95 % (non-condensing)

Approvals

ATEX

Identification	Ⓜ II 3 G Ex ec IIC T4 Gc
Certificate	PxCIF14ATEX2744694X
Note	Please follow the special installation instructions in the documentation!

Corrosive gas test

SUBCON-PLUS-CAN - D-SUB bus connector



2744694

<https://www.phoenixcontact.com/de/produkte/2744694>

Identification

ISA-S71.04-1985 G3 Harsh Group A

Standards and regulations

Free from substances that could impair the application of coating

in accordance with VW-AUDI-Seat central standard P-VW 3.10.7
57 65 0

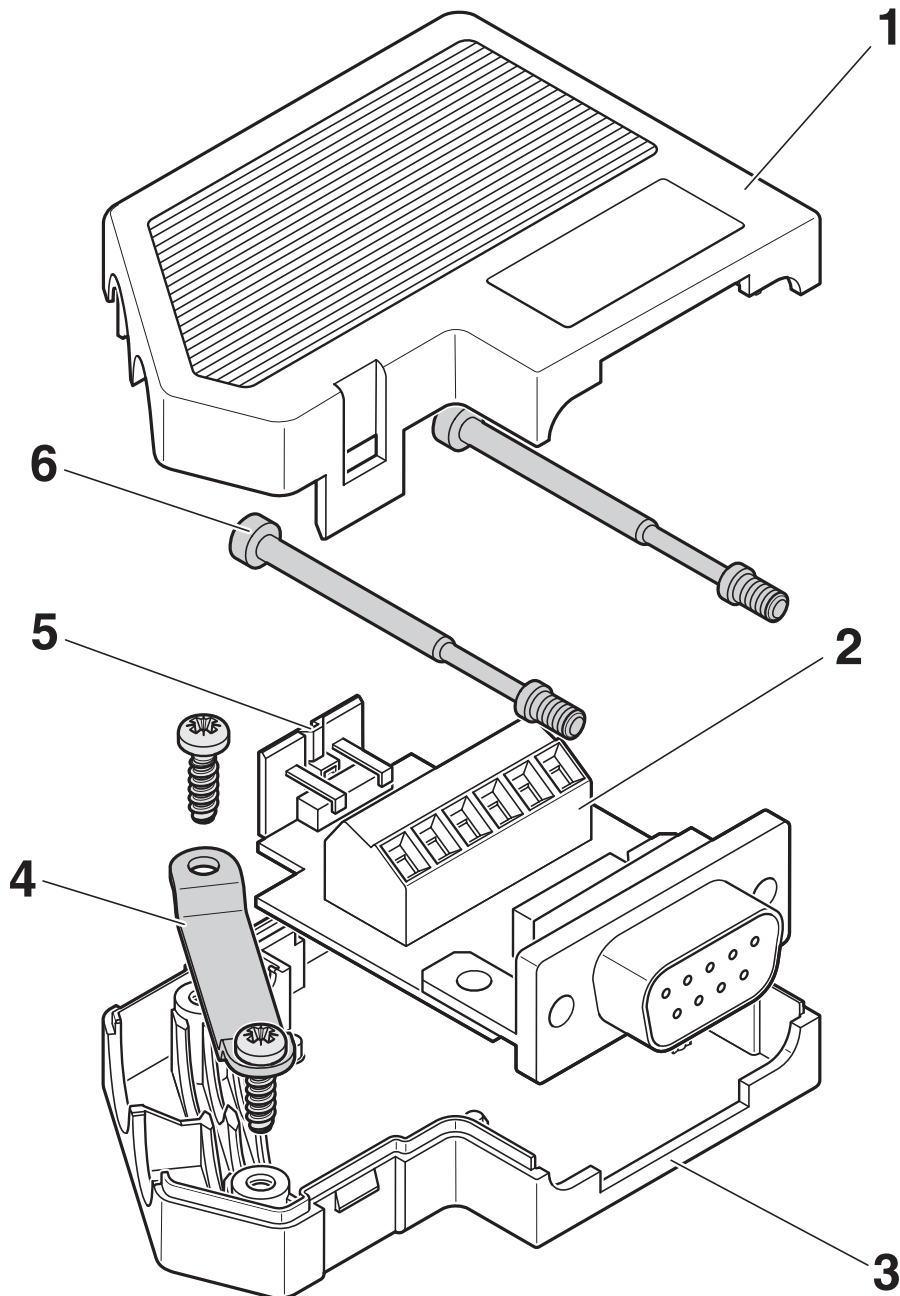
SUBCON-PLUS-CAN - D-SUB bus connector

2744694

<https://www.phoenixcontact.com/de/produkte/2744694>

Drawings

Schematic diagram



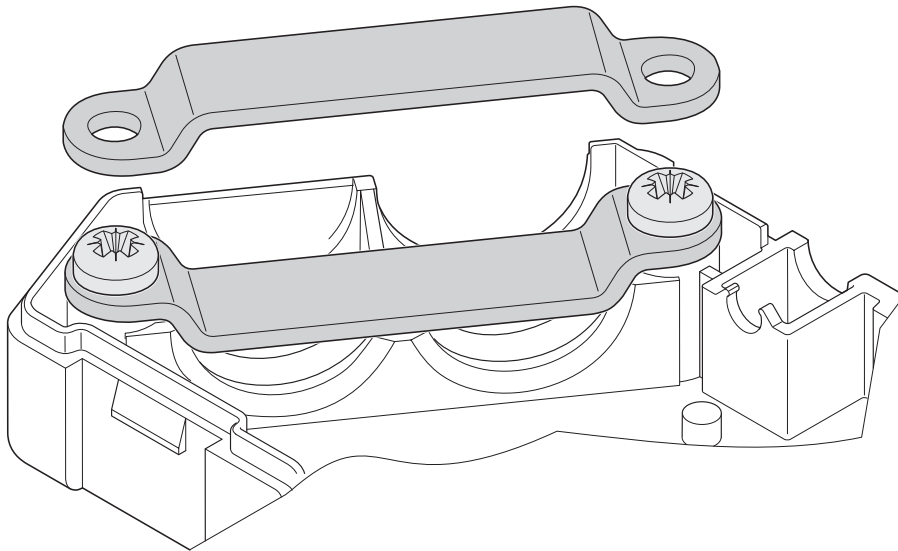
Function elements

SUBCON-PLUS-CAN - D-SUB bus connector

2744694

<https://www.phoenixcontact.com/de/produkte/2744694>

Schematic diagram



Clip bracket

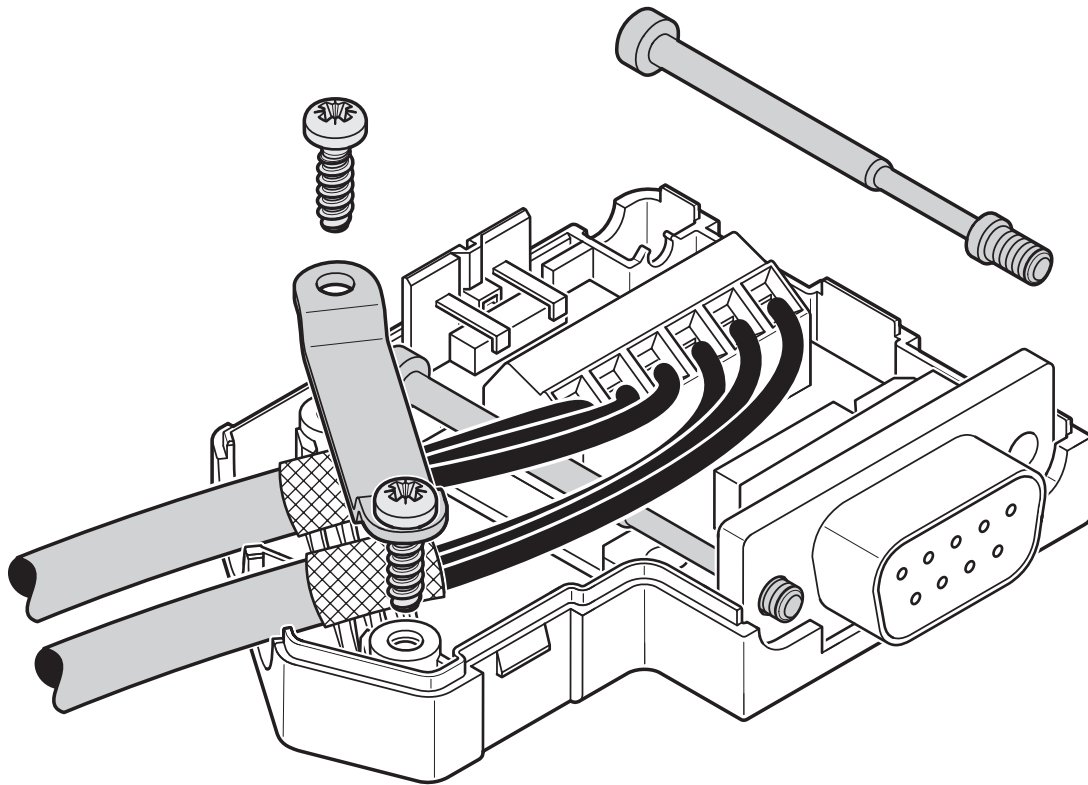
SUBCON-PLUS-CAN - D-SUB bus connector

2744694

<https://www.phoenixcontact.com/de/produkte/2744694>



Schematic diagram



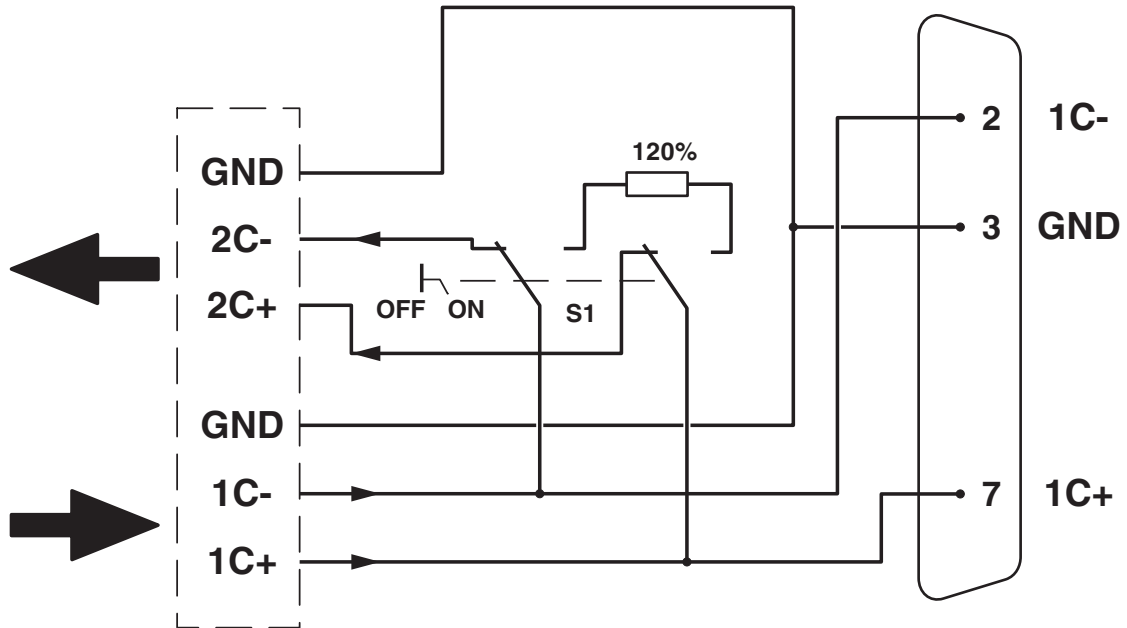
Connection of the cables

SUBCON-PLUS-CAN - D-SUB bus connector

2744694

<https://www.phoenixcontact.com/de/produkte/2744694>

Block diagram



Circuit diagram

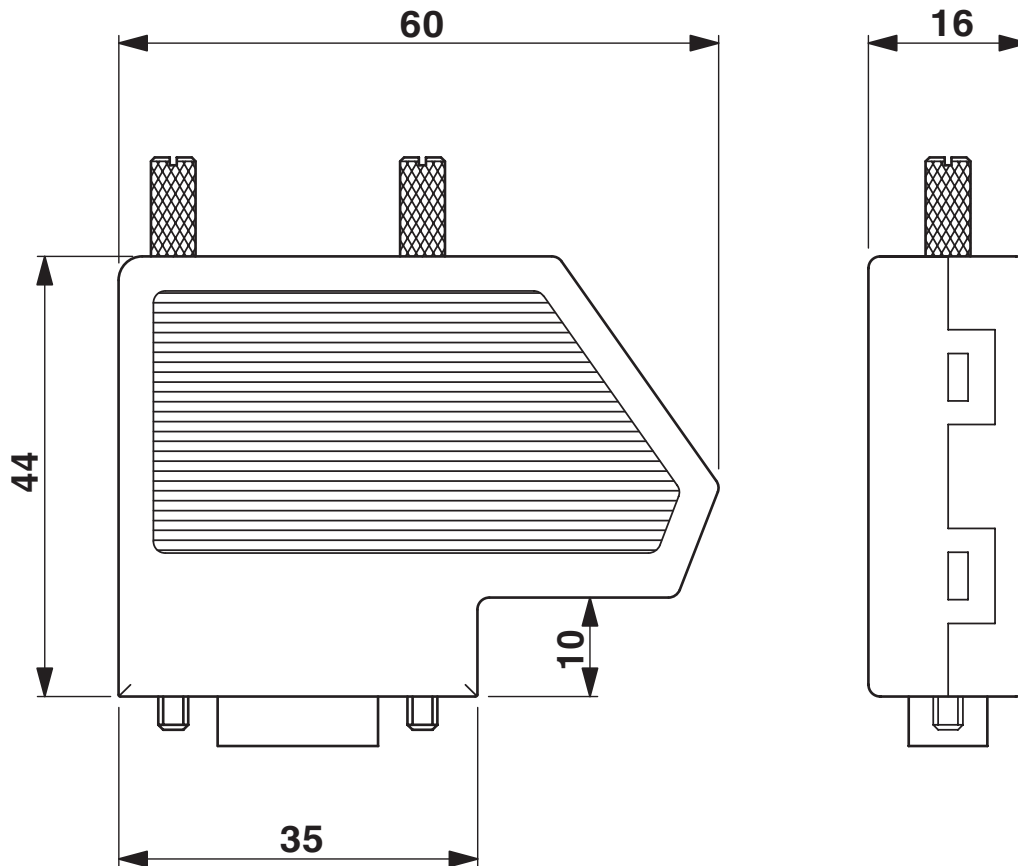
SUBCON-PLUS-CAN - D-SUB bus connector

2744694

<https://www.phoenixcontact.com/de/produkte/2744694>



Dimensional drawing



Dimensional drawing

SUBCON-PLUS-CAN - D-SUB bus connector



2744694

<https://www.phoenixcontact.com/de/produkte/2744694>

Approvals

To download certificates, visit the product detail page: <https://www.phoenixcontact.com/de/produkte/2744694>



cUL Recognized
Approval ID: E238705



UL Recognized
Approval ID: E238705



CSA
Approval ID: 2437602

cULus Recognized

SUBCON-PLUS-CAN - D-SUB bus connector



2744694

<https://www.phoenixcontact.com/de/produkte/2744694>

Classifications

ECLASS

ECLASS-11.0	27440302
ECLASS-12.0	27440302
ECLASS-13.0	27440302

ETIM

ETIM 9.0	EC001132
----------	----------

UNSPSC

UNSPSC 21.0	39121400
-------------	----------

SUBCON-PLUS-CAN - D-SUB bus connector



2744694

<https://www.phoenixcontact.com/de/produkte/2744694>

Environmental product compliance

EU RoHS

Fulfills EU RoHS substance requirements	Yes, No exemptions
---	--------------------

China RoHS

Environment friendly use period (EFUP)	EFUP-E
	No hazardous substances above the limits

EU REACH SVHC

REACH candidate substance (CAS No.)	No substance above 0.1 wt%
-------------------------------------	----------------------------

SUBCON-PLUS-CAN - D-SUB bus connector



2744694

<https://www.phoenixcontact.com/de/produkte/2744694>

Accessories

SZK PH1 VDE - Screwdriver

1205150

<https://www.phoenixcontact.com/de/produkte/1205150>



Screwdriver, PH crosshead, VDE insulated, size: PH 1 x 80 mm, 2-component grip, with non-slip grip

SZF 0-0,4X2,5 - Screwdriver

1204504

<https://www.phoenixcontact.com/de/produkte/1204504>



Actuation tool, for ST terminal blocks, also suitable for use as a bladed screwdriver, size: 0.4 x 2.5 x 75 mm, 2-component grip, with non-slip grip

SUBCON-PLUS-CAN - D-SUB bus connector



2744694

<https://www.phoenixcontact.com/de/produkte/2744694>

QUICK WIREFOX 6 - Stripping pliers

1204384

<https://www.phoenixcontact.com/de/produkte/1204384>



Stripping tool for cables with PVC insulation, stripping range: 0.08 to 6 mm², wire cutting up to 6 mm² flexible or 4 mm² rigid

SUBCON-PLUS-CAN/PG - D-SUB bus connector

2708119

<https://www.phoenixcontact.com/de/produkte/2708119>



D-SUB connector, 9-pos. socket, 35° cable outlet, bus system: CAN, CANopen®, SafetyBUS p up to 1 Mbps with PG D-SUB socket for connecting a programming device, termination resistor can be switched on via slide switch, pin assignment: 2, 3, 7, 9; screw terminal blocks

SUBCON-PLUS-CAN - D-SUB bus connector

2744694

<https://www.phoenixcontact.com/de/produkte/2744694>



SUBCON-PLUS-CAN/AX - D-SUB bus connector

2306566

<https://www.phoenixcontact.com/de/produkte/2306566>



D-SUB connector, 9-pos. female connector, axial version with two cable entries, bus system: CAN, CANopen, SafetyBUS p; pin assignment: 2, 3, 7; screw connection terminal blocks

SUBCON-PLUS-CAN/90/M12 - D-SUB bus connector

2902323

<https://www.phoenixcontact.com/de/produkte/2902323>



D-SUB connector, 9-pos., socket, assignment: 2, 3, 5, 7, 9; two M12 cable entries (A-coded) under 90°. Bus system: CAN, CANopen®. Termination resistor via separate M12 terminator.

SUBCON-PLUS-CAN - D-SUB bus connector

2744694

<https://www.phoenixcontact.com/de/produkte/2744694>



SUBCON-PLUS-CAN/35/M12 - D-SUB bus connector

2902325

<https://www.phoenixcontact.com/de/produkte/2902325>

D-SUB connector, 9-pos., socket, assignment: 2, 3, 5, 7, 9; two M12 cable entries (A-coded) under 35°. Bus system: CAN, CANopen®. Termination resistor via separate M12 terminator.



SUBCON-PLUS-CAN/AX/M12 - D-SUB bus connector

2902326

<https://www.phoenixcontact.com/de/produkte/2902326>

D-SUB connector, 9-pos. socket, assignment: 2, 3, 5, 7, 9; two M12 cable entries (A-coded), axial. Bus system: CAN, CANopen®. Termination resistor via separate M12 terminator.



Phoenix Contact 2024 © - all rights reserved
<https://www.phoenixcontact.com>

PHOENIX CONTACT Deutschland GmbH
Flachsmarktstraße 8
D-32825 Blomberg
+49 52 35/3-1 20 00
info@phoenixcontact.de