

Router - TC MGuard RS4000 4G VPN - 2903586

Please be informed that the data shown in this PDF Document is generated from our Online Catalog. Please find the complete data in the user's documentation. Our General Terms of Use for Downloads are valid (<http://phoenixcontact.com/download>)



Security appliance, WAN and 4G cellular interface, SD card slot, 10 VPN tunnels, intelligent firewall with full scope of functions, router with NAT/1:1 NAT, optional CIFS Integrity Monitoring, 4-port Managed Switch, 2 SIM card slots, GPS receiver

Product Description


The TC MGuard... security appliances are industrial mobile network routers with mGuard technology. As such, the routers offer a remote maintenance infrastructure for the secure connection of machines and systems via the Internet. A high-speed mobile network interface and a 4-port switch are integrated into a compact metal housing. Secure remote communication on a global scale takes place via 4G LTE as well as UMTS and CDMA networks. With the help of an SD card as a configuration memory, the devices can be quickly and easily started up or replaced. The devices have a buffered realtime clock and Trusted Platform Module (TPM) for secure key generation and management.

Your advantages

- ✓ High-speed cellular interface with provider redundancy
- ✓ Integrated 4-port switch
- ✓ Maximum security with IPsec protocol on Layer 3
- ✓ Web-based management, SNMP
- ✓ Replaceable configuration memory
- ✓ RS-232 interface with COM server function for integrating serial devices
- ✓ Flexible routing
- ✓ Up to 10 parallel VPN tunnels (up to 250 possible with additional license as an option)
- ✓ Supports current certificates such as x509.v3
- ✓ Stateful inspection firewall for dynamic filtering
- ✓ Extended temperature rating



Key Commercial Data

Packing unit	1 pc
GTIN	 4 046356 758086
GTIN	4046356758086
Weight per Piece (excluding packing)	630.000 g
Weight per piece (including packing)	673.600 g
Custom tariff number	85176200
Country of origin	Germany

Router - TC MGUARD RS4000 4G VPN - 2903586

Sales Key	M2 - Network Engineering
Note	Made to Order (non-returnable)

Technical data

Note

Utilization restriction	EMC: class A product, see manufacturer's declaration in the download area
-------------------------	---

Dimensions

Width	45 mm
Height	130 mm
Depth	114 mm

Ambient conditions

Ambient temperature (operation)	-40 °C ... 60 °C
Ambient temperature (storage/transport)	-40 °C ... 70 °C
Permissible humidity (operation)	5 % ... 95 % (non-condensing)
Altitude	≤ 5000 m (For restrictions, see the manufacturer's declaration for altitude operation)
Degree of protection	IP20

General

Electrical isolation	VCC // PE
Test voltage data interface/data interface	1 kV (50 Hz, 1 min.)
Test voltage data interface/power supply	1 kV (50 Hz, 1 min.)
Electromagnetic compatibility	Conformance with EMC Directive 2014/30/EU
Mounting type	DIN rail mounting
Net weight	630 g
Housing material	Metal
Color	silver
MTTF	532 Years (SN 29500 standard, temperature 25°C, operating cycle 21%)
	250 Years (SN 29500 standard, temperature 40°C, operating cycle 34.25%)
	104 Years (SN 29500 standard, temperature 40°C, operating cycle 100%)
Degree of pollution	2
Wireless licences	Europe

Power supply

Supply voltage range	11 V DC ... 36 V DC (via pluggable COMBICON screw terminal block)
Max. current consumption	< 1.8 A (at 11 V DC (incl. 3 x 125 mA for the outputs))
Typical current consumption	< 320 mA (24 V DC)
Conductor cross section flexible, with ferrule without plastic sleeve	0.25 mm ² ... 2.5 mm ²
Conductor cross section, flexible, with ferrule, with plastic sleeve	0.25 mm ² ... 2.5 mm ²
Conductor cross section flexible max.	2.50 mm ²
Conductor cross section flexible min.	0.20 mm ²
Conductor cross section solid max.	2.50 mm ²

Router - TC MGUARD RS4000 4G VPN - 2903586

Technical data

Power supply

Conductor cross section solid min.	0.20 mm ²
Conductor cross section AWG max.	14
Conductor cross section AWG min.	24
Stripping length	7 mm

Interfaces

Interface 1	Ethernet interface, 10/100Base-T(X) in accordance with IEEE 802.3
Interface	Ethernet
No. of ports	6
Connection method	RJ45
Transmission length	100 m (shielded twisted pair)
Protocols supported	TCP/IP, UDP/IP, FTP, HTTP
Auxiliary protocols	ARP, DHCP, PING (ICMP), SNMP V1, SMTP
Basic functions	Router with intelligent firewall and VPN for 10 tunnels (up to 250 supported with optional additional license), CIFS Integrity Monitoring (as an option), metal housing, slot for SD memory card
Transmission speed	10/100 Mbps (auto negotiation)
Interface 2	V.24 (RS-232) interface in acc. with ITU-T V.28, EIA/TIA-232, DIN 66259-1
Interface	RS-232
Connection method	D-SUB 9 plug
File format/coding	UART/NRZ: 8 Data, 1/2 Stop, None/Even/Odd Parity
Transmission length	15 m
Data flow control/protocols	Software handshake, Xon/Xoff or hardware handshake RTS/CTS
Serial transmission speed	9.6; 19.2; 38.4; 57.6; 115.2 kbps

Wireless interface

Interface description	GSM / GPRS / EDGE / UMTS / HSPA / LTE (FDD)
Frequency range	800 MHz (LTE B20)
	900 MHz (LTE B8)
	1800 MHz (LTE B3)
	2100 MHz (LTE B1)
	2600 MHz (LTE B7)
	900 MHz (UMTS/HSPA B8)
	1800 MHz (UMTS/HSPA B3)
	2100 MHz (UMTS/HSPA B1)
	900 MHz (2 W (EGSM))
	1800 MHz (1 W (EGSM))
Data rate	≤ 100 Mbps (LTE (DL))
	≤ 50 Mbps (LTE (UL))
Antenna	50 Ω impedance SMA antenna socket
SIM interface 1	1.8 volt, 3 volt
LTE	CAT3

Router - TC MGUARD RS4000 4G VPN - 2903586

Technical data

Wireless interface

Network check	LED bar graph to display receive quality
Protocols supported	GPS (Global Positioning System), GLONASS
Country support	Europe

Function

Web-based management	yes
Management	Web-based management, SNMP
Dynamic Host Configuration Protocol (DHCP) support	Server or Relay Agent
Network Time Protocol (NTP) client	Client
Link Layer Discovery Protocol (LLDP)	As per protocol 802.2
Remote Syslog Logging	On external server
Virtual private network (VPN) throughput	max. 40 Mbps (Router) max. 26 Mbps (Stealth mode, VPN bidirectional throughput)
VPN in stealth mode	Supported
Number of VPN tunnels	10 (up to 250 tunnels with additional license as an option)
Dynamic DNS VPN support	Supported
1:1 Network Address Translation (NAT) in the VPN	Supported
Encryption methods	DES, 3DES, AES-128, -192, -256
Internet Protocol Security (IPsec) mode	ESP tunnel / ESP transport
IPsec L2TP server	Supported
IPsec NAT traversal	Supported
Authentication	X.509v3 certificates with RSA or PSK
Data integrity	MD5, SHA-1
Internet key exchange (IKE)	Quick mode, Main mode, PFS
Dead peer detection (DPD)	RFC 3706
Firewall data throughput	max. 124 Mbps (Router mode, default firewall rules, bidirectional throughput) max. 58 Mbps (Stealth mode, default firewall rules, bidirectional throughput)
Firewall rules	Configurable stateful inspection firewall with full scope of functions
Filtering	MAC and IP addresses, ports, protocols
Protection against	IP spoofing, DoS and Syn Flood Protection
Routing	Standard routing, NAT, 1:1-NAT, port forwarding

Digital outputs

Output name	Digital output
Number of outputs	3
Voltage output signal	10 V DC ... 30 V DC (depending on the operating voltage)
Current output signal	≤ 125 mA (Short-circuit-proof)

Digital inputs

Description of the input	Digital input
Number of inputs	3

Router - TC MGUARD RS4000 4G VPN - 2903586

Technical data

Digital inputs

Voltage input signal	10 V DC ... 30 V DC
Current input signal	5 mA

Conformance/approvals

Designation	CE
Certificate	CE-compliant
Designation	Corrosive gas test
Identification	ISA-S71.04-1985 G3 Harsh Group A

Standards and Regulations

Electromagnetic compatibility	Conformance with EMC Directive 2014/30/EU
Type of test	Free fall in acc. with IEC 60068-2-32
Test result	1 m
Type of test	Vibration resistance in acc. with EN 60068-2-6/IEC 60068-2-6
Test result	5g, 10...150 Hz, 2.5 h, in XYZ direction
Type of test	Shock in acc. with EN 60068-2-27/IEC 60068-2-27
Test result	Operation: 15g, 11 ms period, half-sine shock pulse
Type of test	Shock in acc. with EN 60068-2-27/IEC 60068-2-27
Test result	Storage: 30g, 11 ms period, half-sine shock pulse
Free from substances that could impair the application of coating	according to P-VW 3.10.7 57 65 0 VW-AUDI-Seat central standard
Standards/regulations	EN 61000-4-2
Contact discharge	± 6 kV (Test Level 3)
Standards/regulations	EN 61000-4-3
Frequency range	80 MHz ... 3 GHz (Test Level 3)
Standards/regulations	EN 61000-4-4
Comments	Criterion B
Standards/regulations	EN 61000-4-5
Signal	± 1 kV (Data line, asymmetrical)
Standards/regulations	EN 61000-6-4
	EN 61000-4-6
Frequency range	0.15 MHz ... 80 MHz

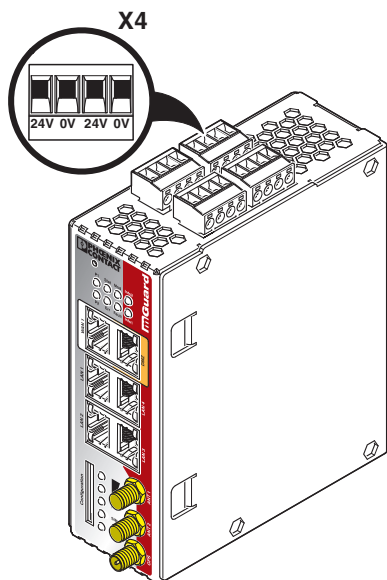
Environmental Product Compliance

REACH SVHC	Lead 7439-92-1
China RoHS	Environmentally Friendly Use Period = 50 years
	For details about hazardous substances go to tab "Downloads", Category "Manufacturer's declaration"

Drawings

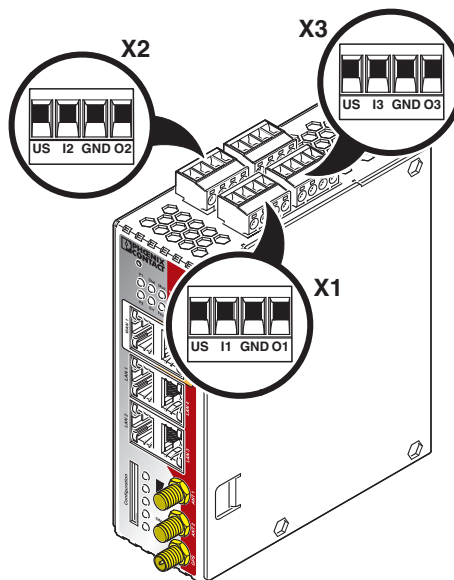
Router - TC MGuard RS4000 4G VPN - 2903586

Schematic diagram



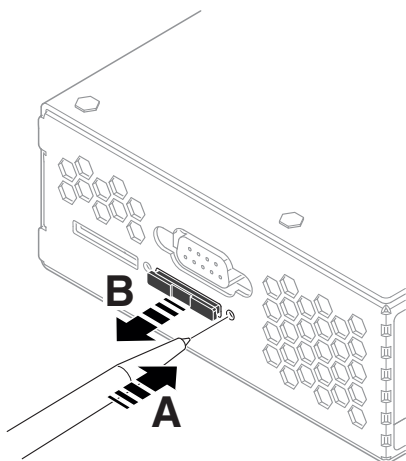
Connecting the supply voltage

Schematic diagram



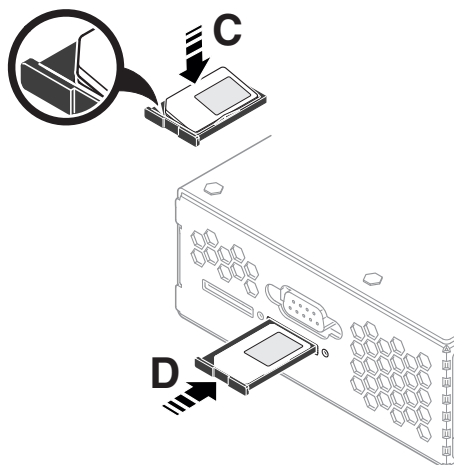
Connection of the cables

Schematic diagram



Remove SIM card holder

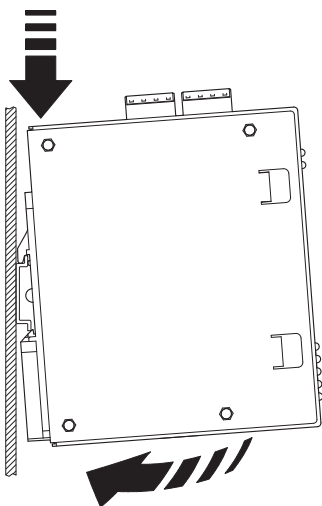
Schematic diagram



Insert the SIM card

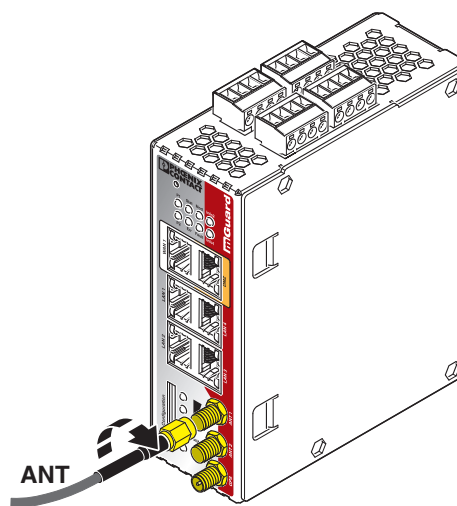
Router - TC MGUARD RS4000 4G VPN - 2903586

Schematic diagram



Mounting

Schematic diagram



Connect the antenna

Classifications

eCl@ss

eCl@ss 10.0.1	19170406
eCl@ss 11.0	19170406
eCl@ss 4.0	27250500
eCl@ss 4.1	27250500
eCl@ss 5.0	19030100
eCl@ss 5.1	19030100
eCl@ss 6.0	19170100
eCl@ss 7.0	19170103
eCl@ss 9.0	19170103

ETIM

ETIM 3.0	EC000313
ETIM 4.0	EC001478
ETIM 6.0	EC001478
ETIM 7.0	EC001478

UNSPSC

UNSPSC 6.01	43172015
UNSPSC 7.0901	43201404
UNSPSC 11	39121311
UNSPSC 12.01	39121311
UNSPSC 13.2	39121311
UNSPSC 18.0	43222609

Router - TC MGUARD RS4000 4G VPN - 2903586

Classifications

UNSPSC

UNSPSC 19.0	43222609
UNSPSC 20.0	43222609
UNSPSC 21.0	43222609

Accessories

Accessories

Antenna

Antenna - PSI-GSM/UMTS-QB-ANT - 2313371



GSM UMTS antenna, with omnidirectional characteristic, 2 m antenna cable with SMA round connector

Antenna - TC ANT MOBILE WALL 5M - 2702273



Multiband cellular antenna with mounting bracket for outdoor installation, 5 m antenna cable with SMA circular connector, suitable for LTE/4G and 5G

Coaxial cable

Antenna cable - PSI-CAB-GSM/UMTS- 5M - 2900980



Cellular antenna cable, 5 m in length, SMA (male) -> SMA (female), 50 ohm impedance

Antenna cable - PSI-CAB-GSM/UMTS-10M - 2900981



Cellular antenna cable, 10 m in length, SMA (male) -> SMA (female), 50 ohm impedance

Data plug

Router - TC MGuard RS4000 4G VPN - 2903586

Accessories

Assembly tool - FL CRIMPTOOL - 2744869



Crimping pliers, for assembling the RJ45 plugs FL PLUG RJ45..., for assembly on site

License

License - FL MGuard LIC VPN-10 - 2700194



License for up to 10 additional VPN online connections

Media converter

FO converters - FL MC EF 1300 MM SC - 2902853



FO converter with SC duplex fiber optic connection (1300 nm), for converting 10/100Base-T(X) to multi-mode fiberglass (50/125 µm). Auto negotiation and auto MDI(X) function. Comprehensive link diagnostics. DIN-rail mountable, 18 ... 30 V DC supply.

Patch cable

Patch cable - FL CAT5 PATCH 0,5 - 2832263



Patch cable, CAT5, assembled, 0.5 m

Patch cable - FL CAT5 PATCH 2,0 - 2832289



Patch cable, CAT5, assembled, 2 m

Router - TC MGuard RS4000 4G VPN - 2903586

Accessories

Patch cable - FL CAT5 PATCH 10,0 - 2832629



Patch cable, CAT5, assembled, 10 m

Plug

RJ45 connector - FL PLUG RJ45 GR/2 - 2744856



RJ45 connector, shielded, with bend protection sleeve, 2 pieces, gray for straight cables, for assembly on site. For connections that are not crossed, it is recommended that you use the connector set with gray bend protection sleeve.

RJ45 connector - FL PLUG RJ45 GN/2 - 2744571



RJ45 connector, shielded, with bend protection sleeve, 2 pieces, green for crossed cables, for assembly on site. For connections that are crossed, it is recommended that the connector set with green bend protection sleeves is used.

Protective cap

Dust protection - FL RJ45 PROTECT CAP - 2832991



Dust protection caps for RJ45 socket

Remote control software

License - MGuard SECURE VPN CLIENT LIC - 2702579



License for mGuard Secure VPN Client v11.x

Storage medium

Router - TC MGUARD RS4000 4G VPN - 2903586

Accessories

Memory - SD FLASH 512MB - 2988146



Program and configuration memory, plug-in, 512 Mbyte.

Surge protection for transceiver systems

Surge protection device - CSMA-LAMBDA/4-2.0-BS-SET - 2800491



Attachment plug with Lambda/4 technology as surge protection for coaxial signal interfaces. Connection: Male/female SMA connectors.

Wireless element

Wireless module - FL TIMESERVER NTP - 1107132



GNSS receiver and NTP (Network Time Protocol) for Ethernet networks, receives time, date, and location via GPS, GLONASS, or Galileo, web-based management, supply via PoE (af) or 24 V DC, integrated antenna, IP68 housing
