

SMS relay - TC MOBILE I/O X200 AC - 2903806

Please be informed that the data shown in this PDF Document is generated from our Online Catalog. Please find the complete data in the user's documentation. Our General Terms of Use for Downloads are valid (<http://phoenixcontact.com/download>)



Successor to the SMS relay: monitor digital values via the mobile communication network and switch relay outputs remotely. Communication is via SMS or GPRS (e-mail). Supply voltage range of 93 V ... 250 V AC.

Product Description


The compact TC MOBILE I/O X200 AC signaling system is the successor to the PSI-MODEM-SMS-RELAY/6 DI/4DO/AC SMS relay (Order No. 2313513) and is used to monitor analog and digital values via the mobile communication network and switch relay outputs remotely. A USB connection to a computer and a web browser is all that is needed for configuration. The device features numerous helpful software functions, such as mobile communication diagnostics, sending of log books via e-mail, and different user roles.

Why buy this product

- Notification via SMS on change of status at input
- SMS status query of all inputs and outputs
- SMS relay for remote control of outputs
- Alarm generation on voltage failure via SMS
- GSM mobile phone network: 850, 900, 1800, and 1900 MHz
- Switching of outputs for a predefined time
- Communication via SMS and e-mail
- Configuration via USB and web browser
- Compact design: 4 pitches (DIN 43880)



Key Commercial Data

Packing unit	1 pc
GTIN	 4 046356 768849
GTIN	4046356768849
Weight per Piece (excluding packing)	236.800 g
Custom tariff number	85176200
Country of origin	Germany

Technical data

Note

SMS relay - TC MOBILE I/O X200 AC - 2903806

Technical data

Note

Utilization restriction	EMC: class A product, see manufacturer's declaration in the download area
-------------------------	---

Dimensions

Width	72 mm
Height	90 mm
Depth	62 mm

Ambient conditions

Ambient temperature (operation)	-25 °C ... 70 °C (for derating, see technical documentation)
Ambient temperature (storage/transport)	-40 °C ... 85 °C
Permissible humidity (operation)	0 % ... 95 %
Altitude	2000 m
Degree of protection	IP20

General

Standards/regulations	EN 50360
Electromagnetic compatibility	Conformance with EMC Directive 2014/30/EU
Net weight	236.8 g
Housing material	Polycarbonate
MTTF	792 Years (SN 29500 standard, temperature 25 °C, operating cycle 21 % (5 days a week, 8 hours a day)) 378 Years (SN 29500 standard, temperature 40 °C, operating cycle 34.25 % (5 days a week, 12 hours a day)) 153 Years (SN 29500 standard, temperature 40 °C, operating cycle 100 % (7 days a week, 24 hours a day))
Conformance	CE-compliant
ATEX	# II 3 G Ex nA nC IIC T4 Gc X (Please follow the special installation instructions in the documentation!)
FCC	Part 15.107(a), 15.109(a)

Power supply

Supply voltage range	93 V AC ... 250 V AC (47.5 Hz ... 63 Hz)
Max. current consumption	25 mA
Typical current consumption	15 mA (230 V AC)
Conductor cross section flexible max.	2.50 mm ²
Conductor cross section flexible min.	0.20 mm ²
Conductor cross section solid max.	2.50 mm ²
Conductor cross section solid min.	0.20 mm ²
Max. AWG conductor cross section, flexible	14
Min. AWG conductor cross section, flexible	24
Conductor cross section AWG max.	14
Conductor cross section AWG min.	24

Serial interface

SMS relay - TC MOBILE I/O X200 AC - 2903806

Technical data

Serial interface

Interface 1	USB 2.0
Connection method	Mini-USB type B, 5-pos.
Transmission length	≤ 3 m (only for configuration and diagnostics)

Wireless interface

Interface description	GSM / GPRS
Frequency	850 MHz (2 W (EGSM))
	900 MHz (2 W (EGSM))
	1800 MHz (1 W (EGSM))
	1900 MHz (1 W (EGSM))
EDGE	Multislot Class 10

Function

Web-based management	yes
----------------------	-----

Digital outputs

Output name	Relay output
Number of outputs	4
Contact type	N/O contact
Minimum switching voltage	5 V
Maximum switching voltage	250 V AC
	125 V DC
Limiting continuous current	5 A
Switching capacity	750 VA
Electrical service life	150000 cycles (5 A / 30 V DC)
	150000 cycles (3 A / 120 V AC)
	30000 cycles (5 A / 250 V AC)

Digital inputs

Description of the input	Digital input
Number of inputs	4
Switching level "0" signal	0 V AC ... 50 V AC
Switching level "1" signal	90 V AC ... 250 V AC

Standards and Regulations

Electromagnetic compatibility	Conformance with EMC Directive 2014/30/EU
Standards/regulations	EN 61000-4-2
Contact discharge	± 6 kV
Indirect discharge	± 6 kV
Standards/regulations	EN 61000-4-3
Frequency range	26 MHz ... 6 GHz
Standards/regulations	EN 61000-4-4
Comments	Criterion B

SMS relay - TC MOBILE I/O X200 AC - 2903806

Technical data

Standards and Regulations

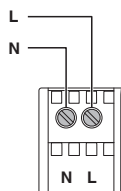
Standards/regulations	EN 61000-4-5
Signal	± 1 kV (Data line, asymmetrical)
Standards/regulations	EN 61000-4-6
Frequency range	0.15 MHz ... 80 MHz
Conducted noise emission	Class B, area of application: Industry and residential
Standards/regulations	EN 61000-4-11
	EN 50360
	EN 50121-4
Conformance	CE-compliant
ATEX	# II 3 G Ex nA nC IIC T4 Gc X
FCC	Part 15.107(a), 15.109(a)
Noxious gas test	ISA-S71.04-1985 G3 Harsh Group A

Environmental Product Compliance

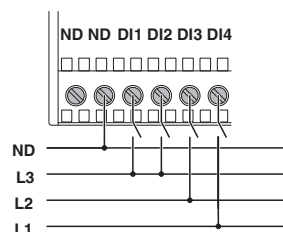
REACH SVHC	Lead 7439-92-1
China RoHS	Environmentally Friendly Use Period = 50
	For details about hazardous substances go to tab "Downloads", Category "Manufacturer's declaration"

Drawings

Connection diagram



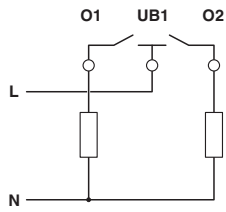
Connection diagram



Connecting the supply voltage

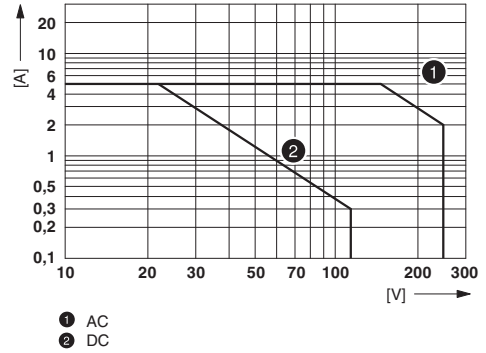
SMS relay - TC MOBILE I/O X200 AC - 2903806

Connection diagram



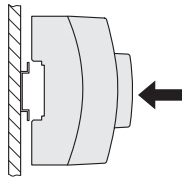
Floating relay contacts

Diagram



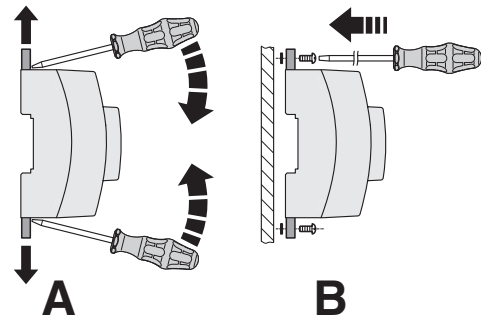
Relay load curve - ohmic load

Schematic diagram



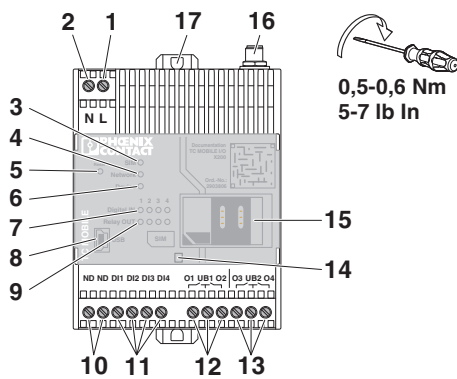
DIN rail mounting

Schematic diagram



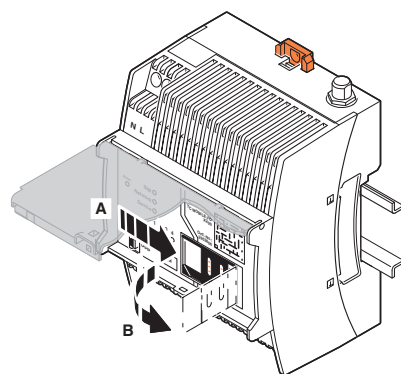
Wall mounting

Schematic diagram



Front view

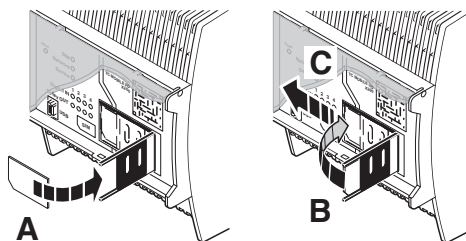
Schematic diagram



Insert the SIM card

SMS relay - TC MOBILE I/O X200 AC - 2903806

Schematic diagram



Insert the SIM card

Classifications

eCl@ss

eCl@ss 4.0	27250312
eCl@ss 4.1	27250312
eCl@ss 5.0	27242208
eCl@ss 5.1	27242200
eCl@ss 6.0	19179200
eCl@ss 7.0	19179290
eCl@ss 8.0	19179290
eCl@ss 9.0	27242608

ETIM

ETIM 3.0	EC000310
ETIM 4.0	EC000310
ETIM 5.0	EC001604
ETIM 6.0	EC000310

UNSPSC

UNSPSC 6.01	30211506
UNSPSC 7.0901	39121008
UNSPSC 11	39121008
UNSPSC 12.01	39121008
UNSPSC 13.2	43222604

Accessories

Accessories

Antenna

SMS relay - TC MOBILE I/O X200 AC - 2903806

Accessories

Antenna - PSI-GSM-STUB-ANT - 2313342



Mobile communication antenna for direct mounting on the device, SMA (male) antenna connector with articulated joint. The antenna is suitable for installation in plastic control cabinets not visible from the outside.

Antenna - PSI-GSM/UMTS-QB-ANT - 2313371



GSM UMTS antenna, with omnidirectional characteristic, 2 m antenna cable with SMA round connector

Antenna - TC ANT MOBILE WALL 5M - 2702273



Multiband mobile communication antenna with mounting bracket for outdoor installation, 5 m antenna cable with SMA circular connector, suitable for LTE/4G

Coaxial cable

Antenna cable - PSI-CAB-GSM/UMTS-10M - 2900981



Mobile network antenna cable, 10 m in length, SMA (male) -> SMA (female), 50 ohm impedance

Antenna cable - PSI-CAB-GSM/UMTS- 5M - 2900980



Mobile network antenna cable, 5 m in length, SMA (male) -> SMA (female), 50 ohm impedance

Programming cable

SMS relay - TC MOBILE I/O X200 AC - 2903806

Accessories

USB cable - CABLE-USB/MINI-USB-3,0M - 2986135



USB connecting cable: USB plug type A to USB plug type Mini-B; length: 3 m

Surge protection for transceiver systems

Surge protection device - CSMA-LAMBDA/4-2.0-BS-SET - 2800491



Attachment plug with Lambda/4 technology as surge protection for coaxial signal interfaces. Connection: Male/female SMA connectors.