


VS-09-A-GC-BU/BU

Order No.: 1689695

<http://catalog.phoenixcontact.net/phoenix/treeViewClick.do?UID=1689695>D-SUB panel mounting frame, shell size 1, with nine signal contacts,
socket, gender changer, shielded, IP67 degree of protection**Commercial data**

EAN	 4 017918 929046
sales group	D504
Pack	5 Pcs.
Customs tariff	85366990
Gross weight in pieces	0.01946 KG
Net weight per piece	0.01946 KG
Catalog page information	Page 185 (CAT-2-2013)

Product notesWEEE/RoHS-compliant since:
11/01/2005

<http://www.download.phoenixcontact.com>
Please note that the data given here has been taken from the online catalog. For comprehensive information and data, please refer to the user documentation. The General Terms and Conditions of Use apply to Internet downloads.

Technical data**Mechanical characteristics**

Number of positions	9
Insertion/withdrawal cycles	≥ 200
Color	gray
Ambient temperature (operation)	-40 °C ... 80 °C

Material data

Inflammability class according to UL 94	V0
Housing material	PA
Contact carrier material	Polyester GF
Contact material	Copper alloy
Contact surface material	Hard gold-plated over nickel
Material	Plastic
Sealing material	Flat gasket: NBR; profile gasket: EPDM
Seal material	Flat gasket: NBR; profile gasket: EPDM
Degree of protection	IP67

Electrical characteristics

Rated voltage (III/3)	125 V
Rated current	5 A

Certificates / Approvals

Certification

Certifications applied for:

Certification Ex:

Accessories

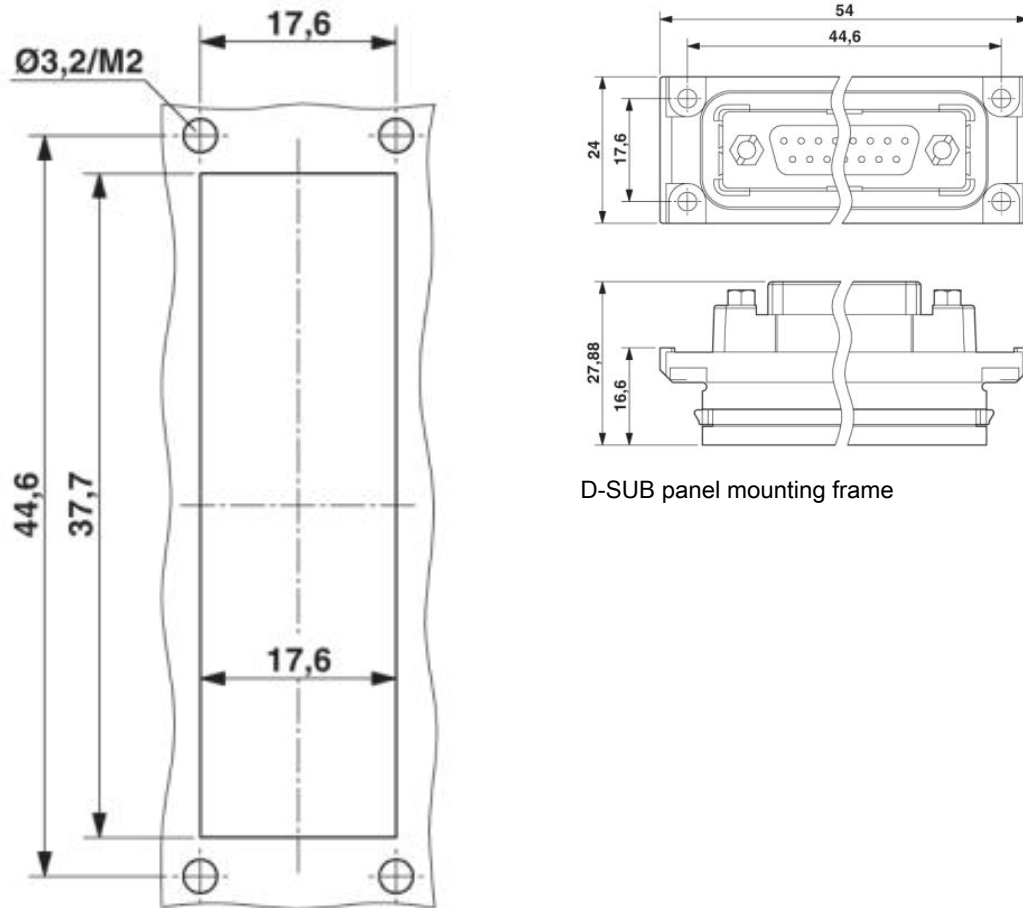
Item	Designation	Description
------	-------------	-------------

Protective covers

1887086	VS-09-SD	D-SUB protective cover, shell size 1, IP54 degree of protection, for panel mounting frame and sleeve housing VS-09-...
---------	----------	--

Drawings

Dimensioned drawing



D-SUB panel mounting frame

Mounting cutout: VS-09-A...

Address

PHOENIX CONTACT Deutschland GmbH
Flachmarktstr. 8
32825 Blomberg, Germany
Phone +49 5235 3 12000
Fax +49 5235 3 41200
<http://www.phoenixcontact.de>



© 2013 Phoenix Contact
Technical modifications reserved;