

D-SUB gender changer - VS-09-GC-BU/BU



1688722

<https://www.phoenixcontact.com/de/produkte/1688722>

Please be informed that the data shown in this PDF document is generated from our Online Catalog. Please find the complete data in the user documentation. Our General Terms of Use for Downloads are valid.

D-SUB contact insert, shell size 1, with nine signal contacts, type of contact socket, gender changer, fixing with 4-40 UNC thread



Commercial Data

Item number	1688722
Packing unit	10 pc
Minimum order quantity	1 pc
Sales Key	D1 - Steckverbinder
Product Key	ABNADB
Catalog Page	Page 712 (C-2-2019)
GTIN	4017918942632
Weight per Piece (including packing)	10,52 g
Weight per Piece (excluding packing)	10,15 g
Customs tariff number	85366990
Country of origin	DE

1688722

<https://www.phoenixcontact.com/de/produkte/1688722>

Technical Data

Product properties

Type	D-SUB 9
Product type	Data plug
Number of positions	9
Type	Female/Female
Shielded	no
Cable outlet	straight

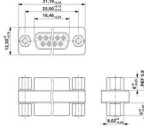
Insulation characteristics

Overvoltage category	III
Degree of pollution	2

Electrical properties

Rated voltage (III/3)	125 V
Rated surge voltage	1 kV
Rated current	5 A

Dimensions

Dimensional drawing	
Width	17.6 mm
Height	30.86 mm
Length	12.5 mm

Material specifications

Flammability rating according to UL 94	V0
Contact material	Copper alloy
Contact surface material	Hard gold-plated over nickel
Contact carrier material	Polyester GF
Housing material	Stainless steel

Connector

Insertion/withdrawal cycles	≥ 200
-----------------------------	-------

Environmental and real-life conditions

Ambient conditions

Degree of protection	IP20
Ambient temperature (operation)	-55 °C ... 125 °C

D-SUB gender changer - VS-09-GC-BU/BU



1688722

<https://www.phoenixcontact.com/de/produkte/1688722>

Mounting

Mounting type	Threads
---------------	---------

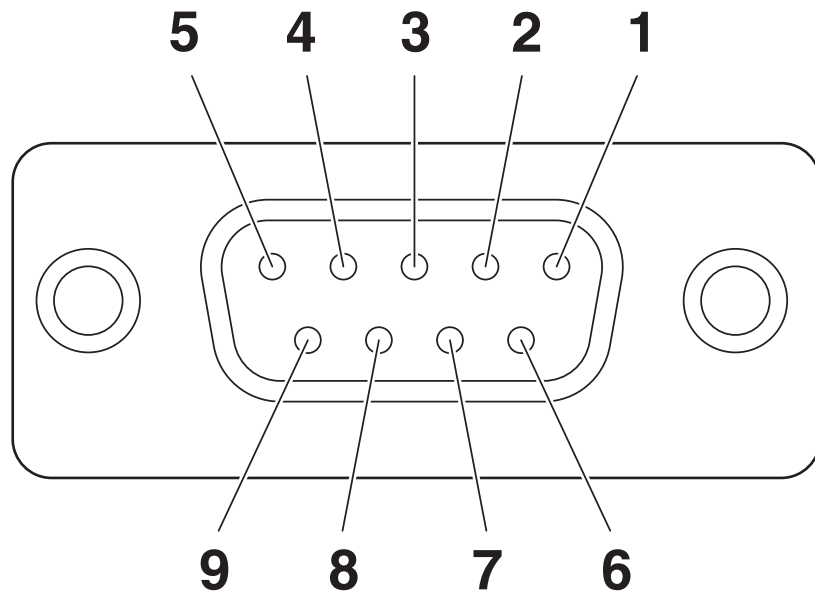
D-SUB gender changer - VS-09-GC-BU/BU

1688722

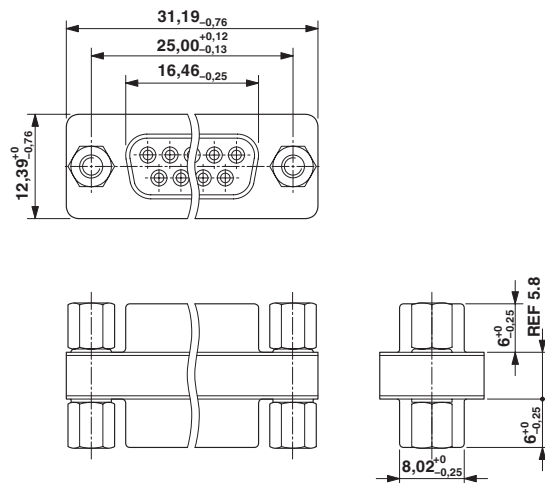
<https://www.phoenixcontact.com/de/produkte/1688722>

Drawings

Schematic diagram



Dimensional drawing



Gender changer

D-SUB gender changer - VS-09-GC-BU/BU



1688722

<https://www.phoenixcontact.com/de/produkte/1688722>

Approvals



EAC

Approval ID: B.01687

1688722

<https://www.phoenixcontact.com/de/produkte/1688722>

Classifications

ECLASS

ECLASS-9.0	27440205
ECLASS-10.0.1	27440205
ECLASS-11.0	27440223

ETIM

ETIM 8.0	EC003557
----------	----------

UNSPSC

UNSPSC 21.0	39121400
-------------	----------

D-SUB gender changer - VS-09-GC-BU/BU



1688722

<https://www.phoenixcontact.com/de/produkte/1688722>

Environmental Product Compliance

China RoHS	Environmentally friendly use period: unlimited = EFUP-e No hazardous substances above threshold values
------------	---

Phoenix Contact 2022 © - all rights reserved
<https://www.phoenixcontact.com>

PHOENIX CONTACT Deutschland GmbH
Flachmarktstraße 8
D-32825 Blomberg
+49 52 35/3-1 20 00
info@phoenixcontact.de