


VS-09-SD

Order No.: 1887086

<http://catalog.phoenixcontact.net/phoenix/treeViewClick.do?UID=1887086>

D-SUB protective cover, shell size 1, IP54 degree of protection, for panel mounting frame and sleeve housing VS-09-...

**Commercial data**

EAN	 4 017918 817480
sales group	D500
Pack	5 Pcs.
Customs tariff	85389099
Gross weight in pieces	0.00726 KG
Net weight per piece	0.00708 KG
Catalog page information	Page 219 (CAT-2-2013)

Product notesWEEE/RoHS-compliant since:
01/01/2003

<http://www.download.phoenixcontact.com>
Please note that the data given here has been taken from the online catalog. For comprehensive information and data, please refer to the user documentation. The General Terms and Conditions of Use apply to Internet downloads.

Technical data**Mechanical characteristics**

Locking type	Without
Insertion/withdrawal cycles	≥ 1000
Color	gray
Ambient temperature (operation)	-40 °C ... 80 °C

Material data

Inflammability class according to UL 94	V0
Housing material	PA
Material	Plastic
Degree of protection	IP54

Certificates / Approvals

Certification

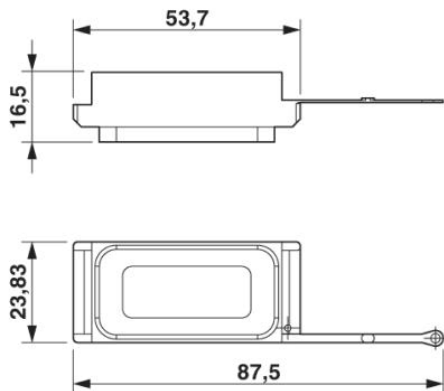
Certifications applied for:

Certification Ex:

Drawings

Dimensioned drawing

Protective cover for D-SUB



Address

PHOENIX CONTACT Deutschland GmbH
Flachmarktstr. 8
32825 Blomberg, Germany
Phone +49 5235 3 12000
Fax +49 5235 3 41200
<http://www.phoenixcontact.de>



© 2013 Phoenix Contact
Technical modifications reserved;