

# Front plate - VS-FP-SD-D-RJ456A-BUBU



1054542

<https://www.phoenixcontact.com/de/produkte/1054542>

Please be informed that the data shown in this PDF document is generated from our Online Catalog. Please find the complete data in the user documentation. Our General Terms of Use for Downloads are valid.



Grounding contact socket, plastic, for Germany, including RJ45 gender changer (female/female, shielded), CAT6A

## Commercial Data

Item number	1054542
Packing unit	1 pc
Minimum order quantity	1 pc
Sales Key	D1 - Steckverbinder
Product Key	BF7EBX
Catalog Page	Page 713 (C-2-2019)
GTIN	4055626690438
Weight per Piece (including packing)	97,8 g
Weight per Piece (excluding packing)	94,6 g
Customs tariff number	85366990
Country of origin	LV

# Front plate - VS-FP-SD-D-RJ456A-BUBU

1054542

<https://www.phoenixcontact.com/de/produkte/1054542>

## Technical Data

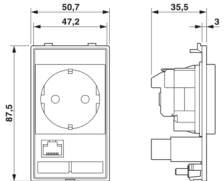
### Product properties

Product type	Data front plate
Number of positions	8
Country ID	Germany

### Electrical properties

Rated voltage (III/3)	250 V (Socket)
	max. 30 V AC (RJ45)
	max. 42.4 V DC (RJ45)
Rated current	16 A (Socket)

### Dimensions

Dimensional drawing	
Width	50.7 mm
Height	43 mm
Length	87.5 mm

### Material specifications

Color	gray
Material	Zinc die-cast, nickel-plated (RJ45)
	PBT (Front plate)
	PC (Socket, labeling field)
Housing material	PBT

### Connector

Contact insert design	with 1x RJ45 Socket/socket, Cat 6, classEA (ISO/IEC 11801:2002), (EN 50173-1)
Insertion/withdrawal cycles	>= 750 (RJ45)

### Environmental and real-life conditions

#### Ambient conditions

Degree of protection	IP20 (Front)
Ambient temperature (operation)	-5 °C ... 50 °C

### Mounting

Assembly instructions	Shroud connection: M4 threaded pin, tightening torque: 0.8 Nm .. . 1.0 Nm
-----------------------	--

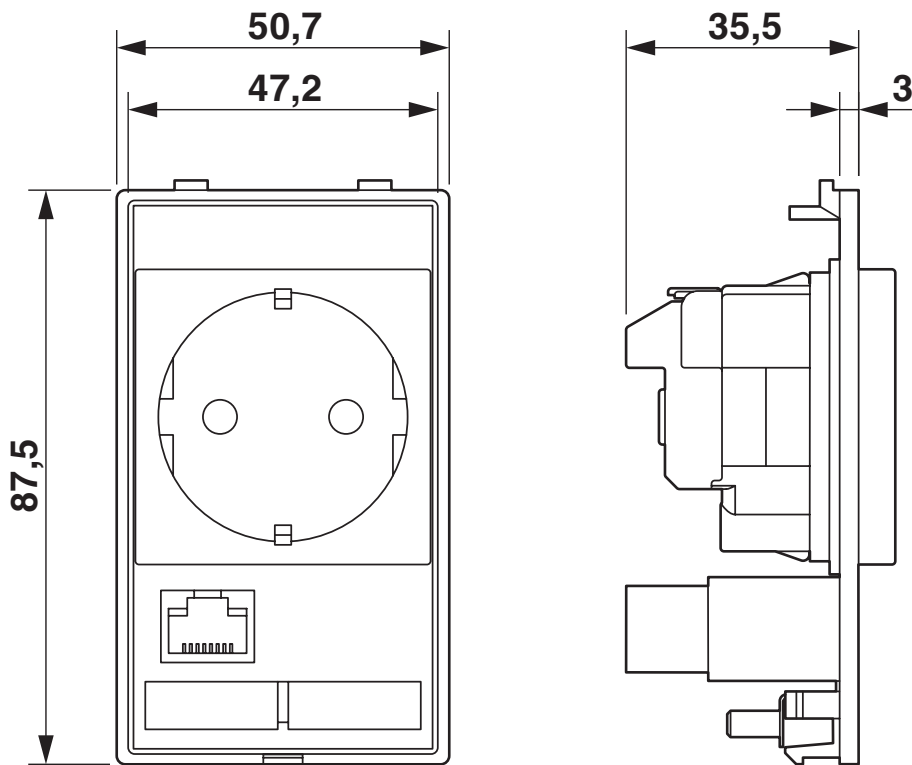
# Front plate - VS-FP-SD-D-RJ456A-BUBU

1054542

<https://www.phoenixcontact.com/de/produkte/1054542>

## Drawings

Dimensional drawing



Dimensional drawing

# Front plate - VS-FP-SD-D-RJ456A-BUBU



1054542

<https://www.phoenixcontact.com/de/produkte/1054542>

## Approvals



**EAC**

Approval ID: RU C-DE.BL08.B.00286

# Front plate - VS-FP-SD-D-RJ456A-BUBU



1054542

<https://www.phoenixcontact.com/de/produkte/1054542>

## Classifications

### ECLASS

ECLASS-9.0	27189217
ECLASS-10.0.1	27182806
ECLASS-11.0	27182806

### ETIM

ETIM 8.0	EC000456
----------	----------

### UNSPSC

UNSPSC 21.0	39121300
-------------	----------

# Front plate - VS-FP-SD-D-RJ456A-BUBU



1054542

<https://www.phoenixcontact.com/de/produkte/1054542>

## Environmental Product Compliance

China RoHS	Environmentally friendly use period: unlimited = EFUP-e No hazardous substances above threshold values
------------	---

# Front plate - VS-FP-SD-D-RJ456A-BUBU

1054542

<https://www.phoenixcontact.com/de/produkte/1054542>

## Accessories

### Grounding material

Grounding material - VS-ES-100-6 - 1055164

<https://www.phoenixcontact.com/de/produkte/1055164>



Ground strap, length: 100 mm, for M4 screws

---

### Connector

Connector - VS-GC-RJ456A-BUBU - 1055552

<https://www.phoenixcontact.com/de/produkte/1055552>



Gender changer, RJ45 CAT6A, female/female, shielded

# Front plate - VS-FP-SD-D-RJ456A-BUBU



1054542

<https://www.phoenixcontact.com/de/produkte/1054542>

## Connector

Connector - VS-GC-USBA3-A-BUBU - 1055554

<https://www.phoenixcontact.com/de/produkte/1055554>



Gender changer, USB 3.0, type: A, female/female

---

Phoenix Contact 2022 © - all rights reserved

<https://www.phoenixcontact.com>

PHOENIX CONTACT Deutschland GmbH

Flachsmarktstraße 8

D-32825 Blomberg

+49 52 35/3-1 20 00

[info@phoenixcontact.de](mailto:info@phoenixcontact.de)