

Mounting frame - VS-SI-EB-EMV-2



1656495

<https://www.phoenixcontact.com/pc/products/1656495>

Please be informed that the data shown in this PDF document is generated from our Online Catalog. Please find the complete data in the user documentation. Our General Terms of Use for Downloads are valid.

Mounting frame, for two front plates or sockets, metal frame, matt nickel-plated, electrically conductive, transparent cover



Commercial Data

Item number	1656495
Packing unit	1 pc
Minimum order quantity	1 pc
Product Key	BF7EAX
Catalog Page	Page 708 (C-2-2019)
GTIN	4046356029865
Weight per Piece (including packing)	402.4 g
Weight per Piece (excluding packing)	402.4 g
Customs tariff number	85389099
Country of origin	DE

Mounting frame - VS-SI-EB-EMV-2

1656495

<https://www.phoenixcontact.com/pc/products/1656495>

Technical Data

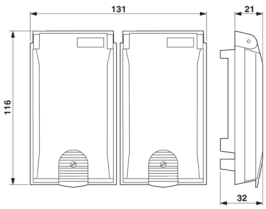
Notes

General	With lockable pressure lock
---------	-----------------------------

Product properties

Product type	Mounting frame
Type	for 2 front plates

Dimensions

Dimensional drawing	
Width	130 mm
Height	35 mm
Length	120 mm

Installation dimensions

Width of the assembly cutout	117 mm
Length of the assembly cutout	91 mm

Material specifications

Color	transparent
Flammability rating according to UL 94	V0
Housing surface material	Nickel-plated
Housing material	Zinc alloy

Environmental and real-life conditions

Ambient conditions

Degree of protection	IP65
Ambient temperature (operation)	-10 °C ... 60 °C
Ambient temperature (storage/transport)	-25 °C ... 70 °C

Mounting

Assembly instructions	Suitable for panel thicknesses 1 mm ... 5 mm
-----------------------	--

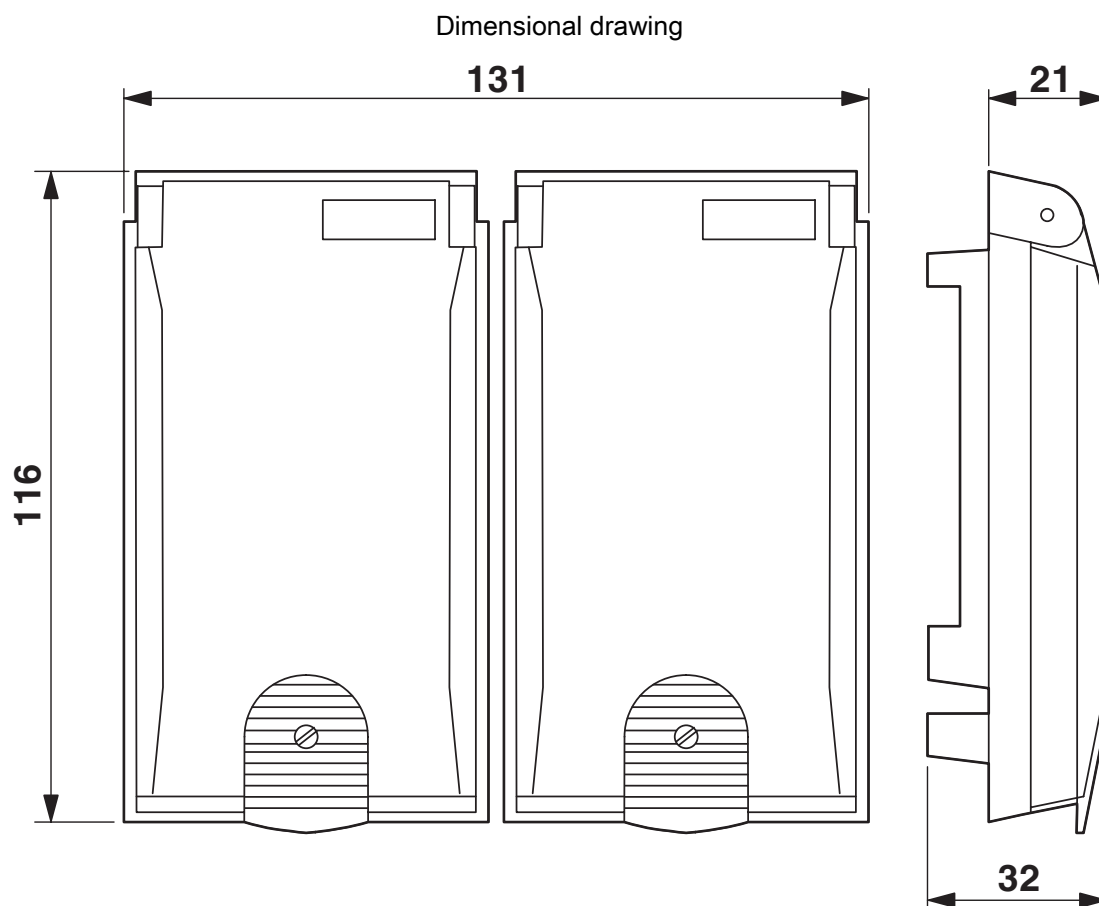
Mounting frame - VS-SI-EB-EMV-2

1656495

<https://www.phoenixcontact.com/pc/products/1656495>



Drawings



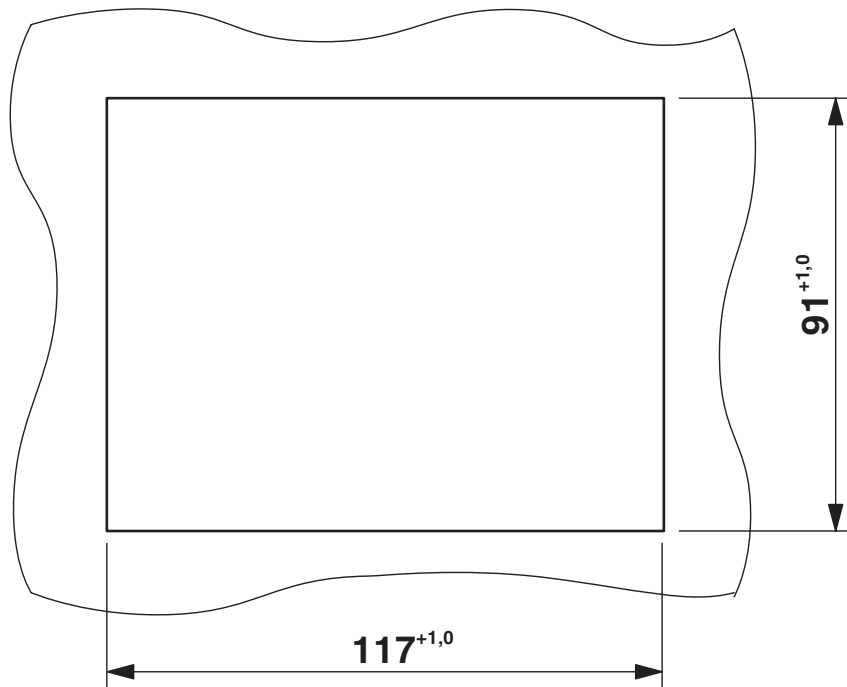
Dimensional drawing

Mounting frame - VS-SI-EB-EMV-2

1656495

<https://www.phoenixcontact.com/pc/products/1656495>

Dimensional drawing



Mounting cutout

Mounting frame - VS-SI-EB-EMV-2



1656495

<https://www.phoenixcontact.com/pc/products/1656495>

Classifications

ECLASS

ECLASS-9.0	27189217
ECLASS-10.0.1	27182806
ECLASS-11.0	27182702

ETIM

ETIM 8.0	EC001031
----------	----------

UNSPSC

UNSPSC 21.0	31261500
-------------	----------

Mounting frame - VS-SI-EB-EMV-2



1656495

<https://www.phoenixcontact.com/pc/products/1656495>

Environmental Product Compliance

REACH SVHC	Lead 7439-92-1
China RoHS	Environmentally Friendly Use Period = 50 years
	For information on hazardous substances, refer to the manufacturer's declaration available under "Downloads"

Mounting frame - VS-SI-EB-EMV-2

1656495

<https://www.phoenixcontact.com/pc/products/1656495>



Accessories

Marker labels

Marker labels - VS-SI-BZ - 1656660

<https://www.phoenixcontact.com/pc/products/1656660>

Marker label, plastic, plate with 20 labels



Socket insert

Socket insert - VS-SI-SD-DE - 1656505

<https://www.phoenixcontact.com/pc/products/1656505>

Ground contact socket, plastic, for Germany



Mounting frame - VS-SI-EB-EMV-2

1656495

<https://www.phoenixcontact.com/pc/products/1656495>

Socket insert

Socket insert - VS-SI-SD-DE-G - 1656518

<https://www.phoenixcontact.com/pc/products/1656518>

Socket insert, material: PA, connection method: Screw connection, Germany



Socket insert

Socket insert - VS-SI-SD-USA - 1656521

<https://www.phoenixcontact.com/pc/products/1656521>

Ground contact socket, plastic, for USA



Mounting frame - VS-SI-EB-EMV-2

1656495

<https://www.phoenixcontact.com/pc/products/1656495>



Socket insert

Socket insert - VS-SI-SD-FR - 1656534

<https://www.phoenixcontact.com/pc/products/1656534>

Ground contact socket, plastic, for France



Socket insert

Socket insert - VS-SI-SD-GB - 1656547

<https://www.phoenixcontact.com/pc/products/1656547>

Ground contact socket, plastic, for Great Britain



Mounting frame - VS-SI-EB-EMV-2

1656495

<https://www.phoenixcontact.com/pc/products/1656495>

Socket insert

Socket insert - VS-SI-SD-IT - 1656550

<https://www.phoenixcontact.com/pc/products/1656550>

Socket insert, material: PA, connection method: Screw connection, Italy

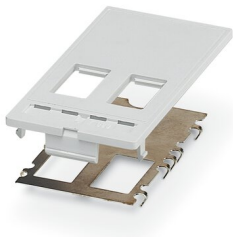


Front plate

Front plate - VS-SI-FP-2RJ-MOD - 1656631

<https://www.phoenixcontact.com/pc/products/1656631>

Front plate, plastic with shroud, for 2x RJ with modular system (Keystone)



Phoenix Contact 2022 © - all rights reserved
<https://www.phoenixcontact.com>

PHOENIX CONTACT GmbH & Co. KG
Flachsmarktstraße 8
D-32825 Blomberg
+49 (0) 5235-3 00
info@phoenixcontact.com