

# Socket insert - VS-SI-SD-CN



1422485

<https://www.phoenixcontact.com/de/produkte/1422485>

Please be informed that the data shown in this PDF document is generated from our Online Catalog. Please find the complete data in the user documentation. Our General Terms of Use for Downloads are valid.

Socket insert, material: PA, connection method: Screw connection, China



## Commercial Data

Item number	1422485
Packing unit	1 pc
Minimum order quantity	1 pc
Sales Key	D1 - Steckverbinder
Product Key	BF7EBX
GTIN	4055626305073
Weight per Piece (including packing)	71,8 g
Weight per Piece (excluding packing)	71 g
Customs tariff number	85366990
Country of origin	CN

# Socket insert - VS-SI-SD-CN

1422485

<https://www.phoenixcontact.com/de/produkte/1422485>

## Technical Data

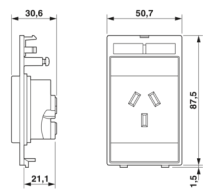
### Product properties

Product type	Socket
Country ID	China

### Electrical properties

Rated voltage (III/3)	250 V
Rated current	10 A

### Dimensions

Dimensional drawing	
Width	51 mm
Height	31.3 mm
Length	87.5 mm

### Material specifications

Color	light grey
Flammability rating according to UL 94	V0
Housing material	PA

### Environmental and real-life conditions

#### Ambient conditions

Degree of protection	IP20
Ambient temperature (operation)	-10 °C ... 60 °C

### Mounting

Assembly instructions	suitable for all mounting frames
-----------------------	----------------------------------

# Socket insert - VS-SI-SD-CN

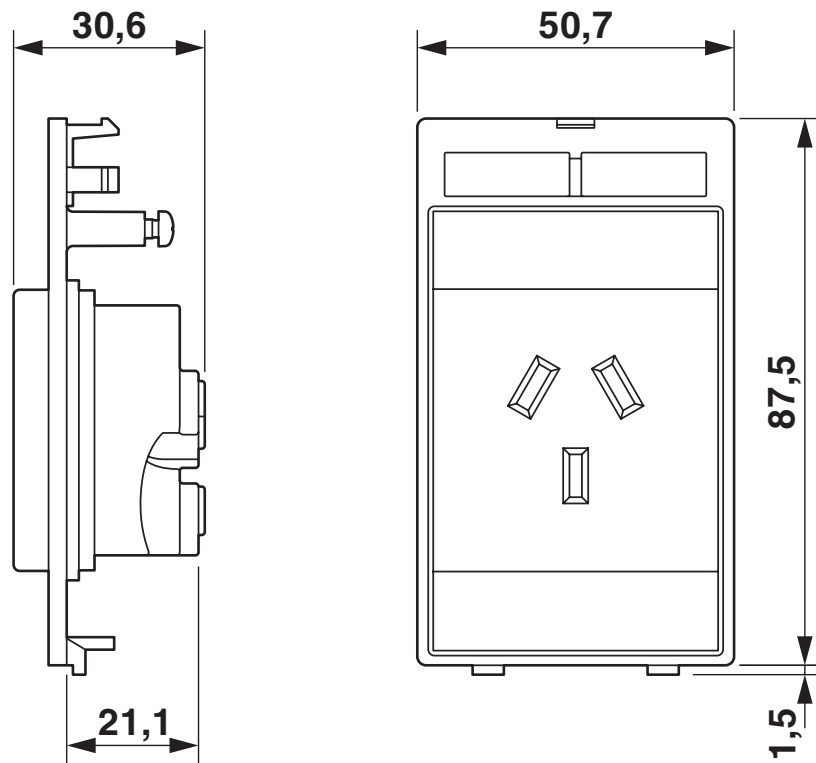
1422485

<https://www.phoenixcontact.com/de/produkte/1422485>



## Drawings

Dimensional drawing



Socket insert

# Socket insert - VS-SI-SD-CN

1422485

<https://www.phoenixcontact.com/de/produkte/1422485>



## Approvals



**EAC**

Approval ID: RU D-DE.HB49.B.00025

# Socket insert - VS-SI-SD-CN



1422485

<https://www.phoenixcontact.com/de/produkte/1422485>

## Classifications

### ECLASS

ECLASS-9.0	27142305
ECLASS-10.0.1	27142305
ECLASS-11.0	27144021

### ETIM

ETIM 8.0	EC000450
----------	----------

### UNSPSC

UNSPSC 21.0	39121400
-------------	----------

# Socket insert - VS-SI-SD-CN



1422485

<https://www.phoenixcontact.com/de/produkte/1422485>

## Environmental Product Compliance

China RoHS

Environmentally friendly use period: unlimited = EFUP-e

No hazardous substances above threshold values

Phoenix Contact 2022 © - all rights reserved

<https://www.phoenixcontact.com>

PHOENIX CONTACT Deutschland GmbH

Flachmarktstraße 8

D-32825 Blomberg

+49 52 35/3-1 20 00

[info@phoenixcontact.de](mailto:info@phoenixcontact.de)