

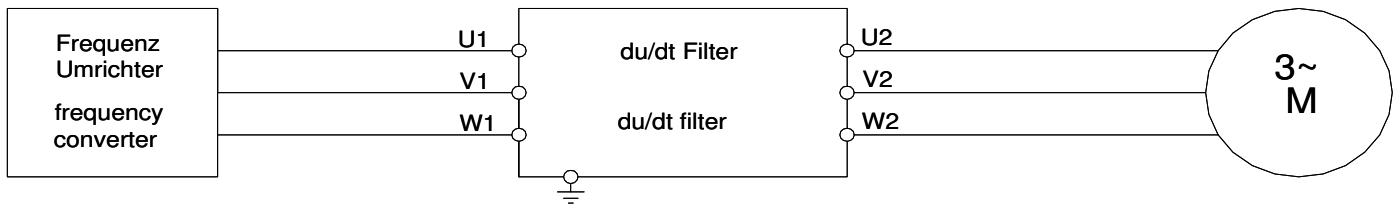
Dreiphasen-du/dt Filter

three-phase du/dt-filter

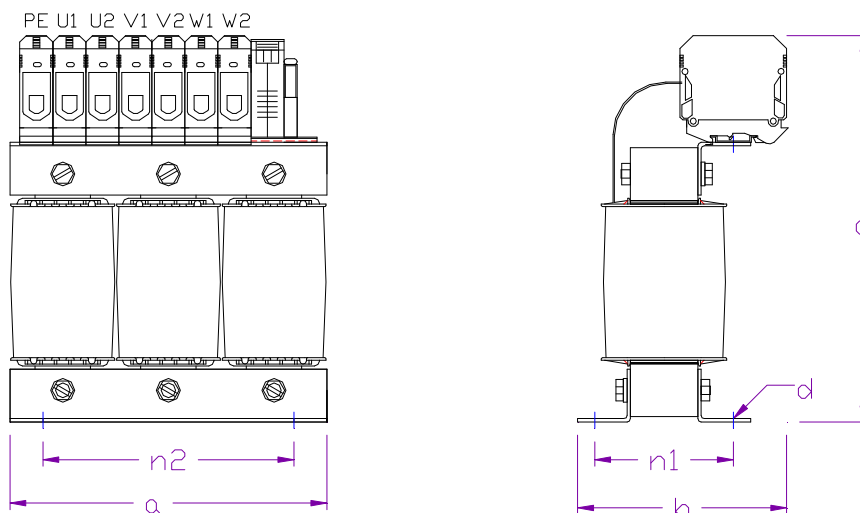
Technische Daten / technical parameter

Phasenzahl / phases	3
Spannung / voltage	690V
Frequenz / frequency	70 Hz
Überlast / overload	1,6 x I _N , 1 min. alle / all 10 min.
Taktfrequenz / switching frequency	≤ 3,6 kHz
Isolierstoffklasse / isolation class	EIS 155
Schutzart / protection class	IPO0
Anschluss / connection	Schaltanlagenklemmen / Kupferschienen terminals / copper bus bars
Schaltung der Kondensatoren / connection of capacitors	Sternschaltung / star connection

Anschlussplan / connection drawing



type code	order code	T _a 40°C		T _a 50°C		L mH	C μF	terminal		clamping torque	
		I _N	P _{loss}	I _N	P _{loss}			main	PE	main	PE
		A	W	A	W			mm ²	mm ²	Nm	Nm
	914-961	12	45	11	40	1,00	0,001	0,22-2,5	0,2-6	0,5-0,8	0,5-1,0
	918-988	25	85	22	70	0,60	0,0022	0,5-10	0,5-10	1,5-1,8	1,5-1,8
	923-947	55	120	48	100	0,30	0,0047	2,5-35	4-16	2,5-5	1,5-1,8
	927-936	80	140	70	115	0,20	0,0068	2,5-35	4-16	2,5-5	1,5-1,8



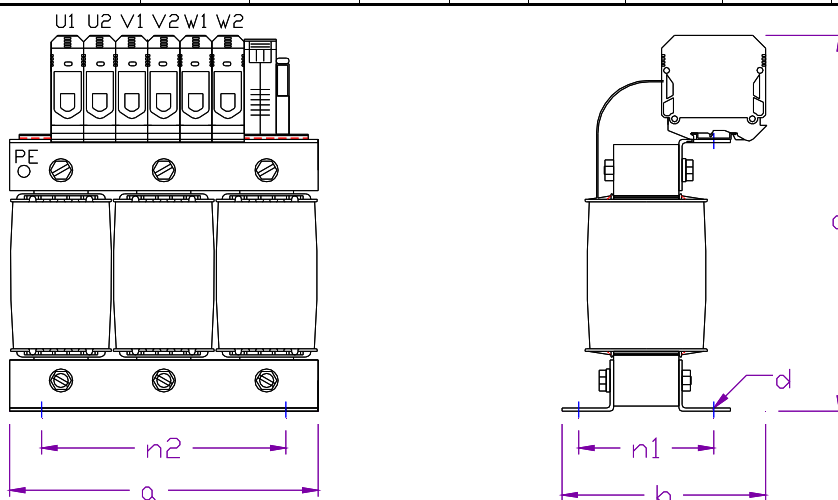
Abmessungen / dimensions

type code	dimensions (mm)			fixing dimensions			weight kg
	a	b	c	n2	n1	d	
	125	110	190	100	55	5 x 8	3
	155	130	220	130	72	8 x 12	6
	190	130	250	170	78	8 x 12	10
	210	135	280	180	81	8 x 12	13

Dreiphasen-du/dt Filter

three-phase du/dt-filter

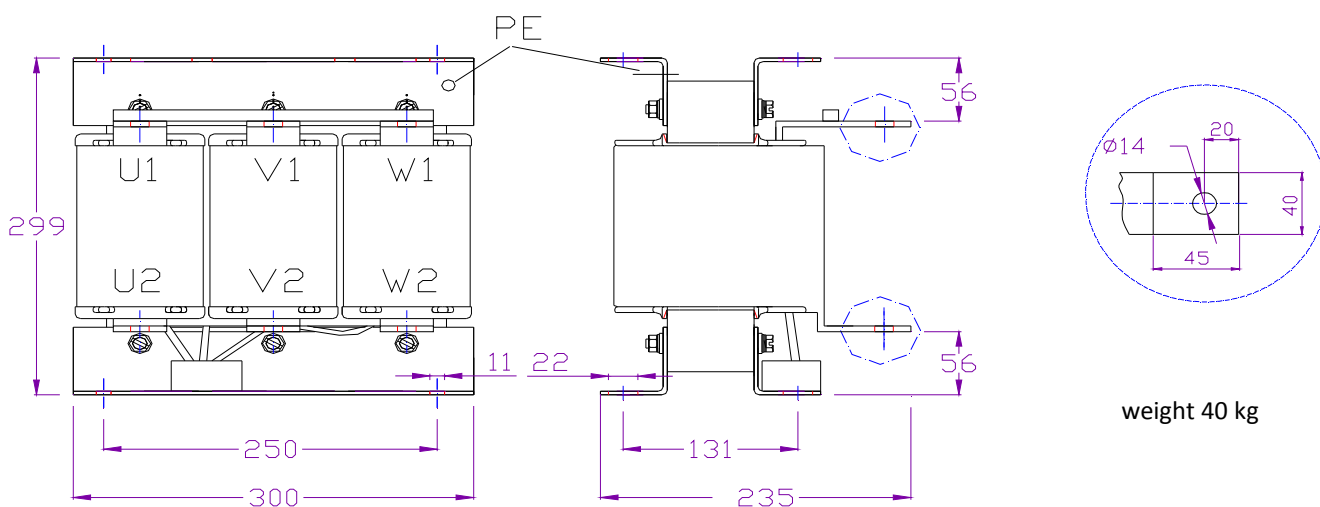
type code	order code	T_a 40°C		T_a 50°C		L mH	C μ F	terminal		clamping torque	
		I_N	P_{loss}	I_N	P_{loss}			main	PE	main	PE
		A	W	A	W			mm ²		Nm	Nm
	942-1062	130	185	115	155	0,14	0,010	50-95	M6	6-12	10
	945-1017	210	210	185	175	0,09	0,015	35-150	M8	12-20	25



Abmessungen / dimensions

type code	dimensions (mm)			fixing dimensions			weight
	a	b	c	n2	n1	d	kg
	240	160	300	190	105	11 x 15	22
	240	185	320	190	125	11 x 15	32

type code	order code	T_a 40°C		T_a 50°C		L mH	C μ F	terminal		clamping torque	
		I_N	P_{loss}	I_N	P_{loss}			main	PE	main	PE
		A	W	A	W			mm		Nm	Nm
	957-952	280	350	245	285	0,065	0,022	40 x 5	M10	85	50

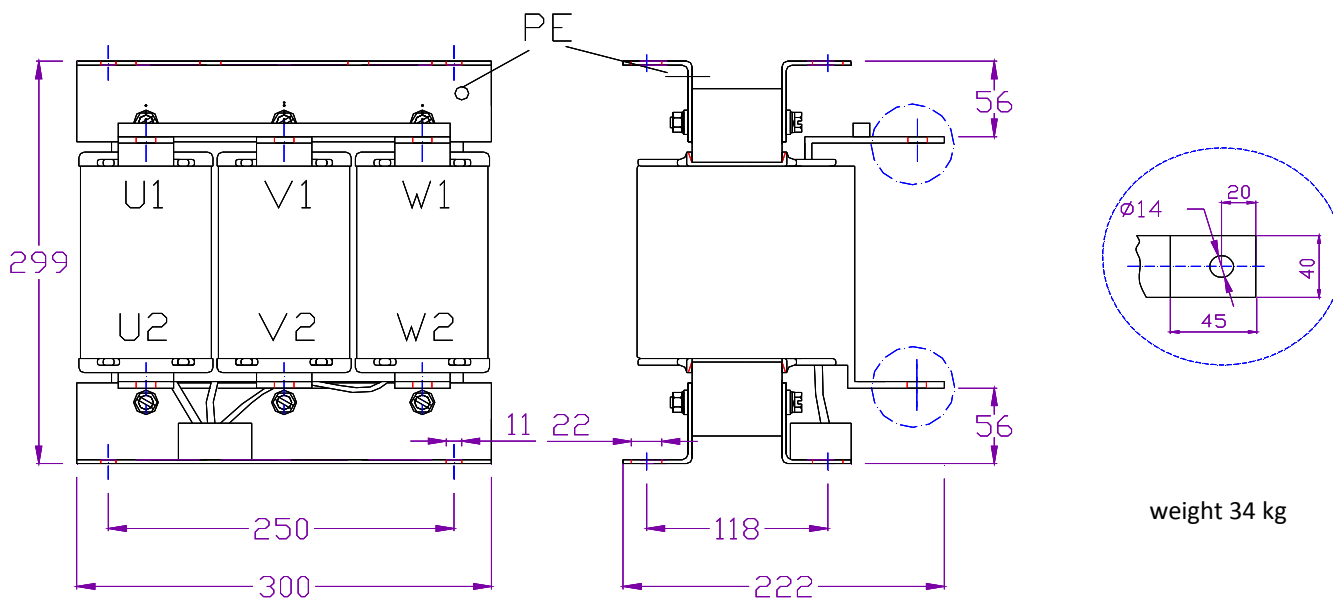


weight 40 kg

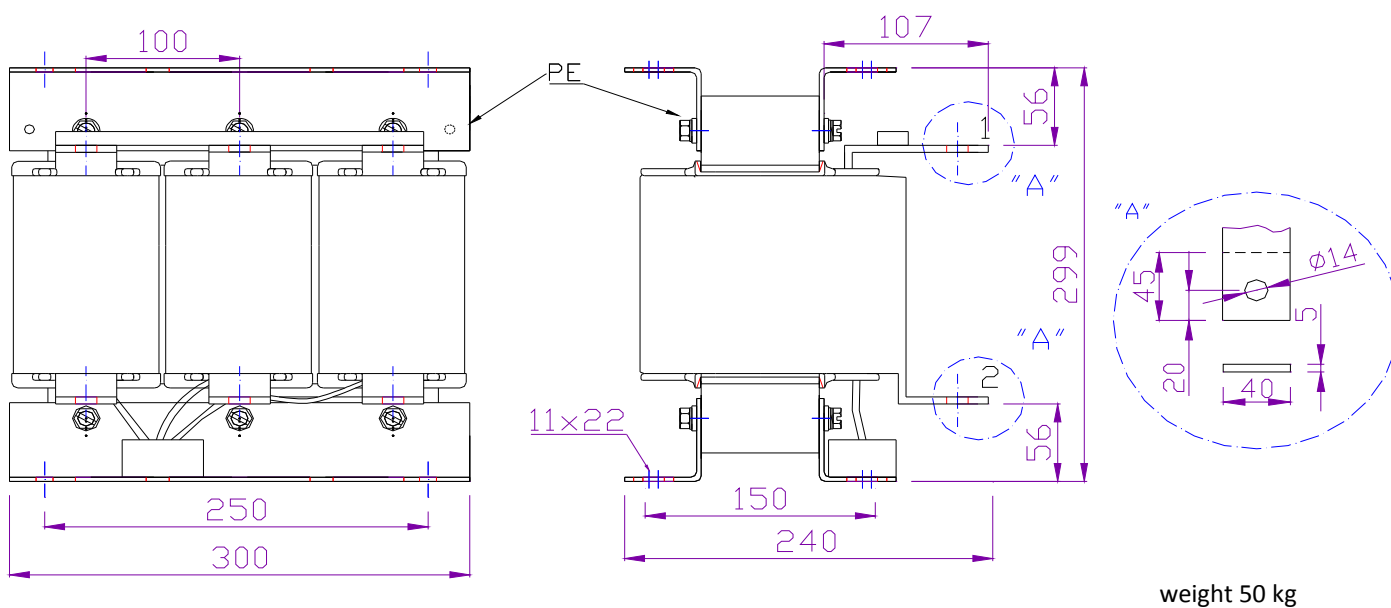
Dreiphasen-du/dt Filter

three-phase du/dt-filter

type code	order code	T_a 40°C		T_a 50°C		L mH	C μ F	terminal		clamping torque	
		I_N	P_{loss}	I_N	P_{loss}			main	PE	main	PE
		A	W	A	W			mm		Nm	
	956-1008	280	290	245	240	0,025	0,047	40 x 5	M10	85	50



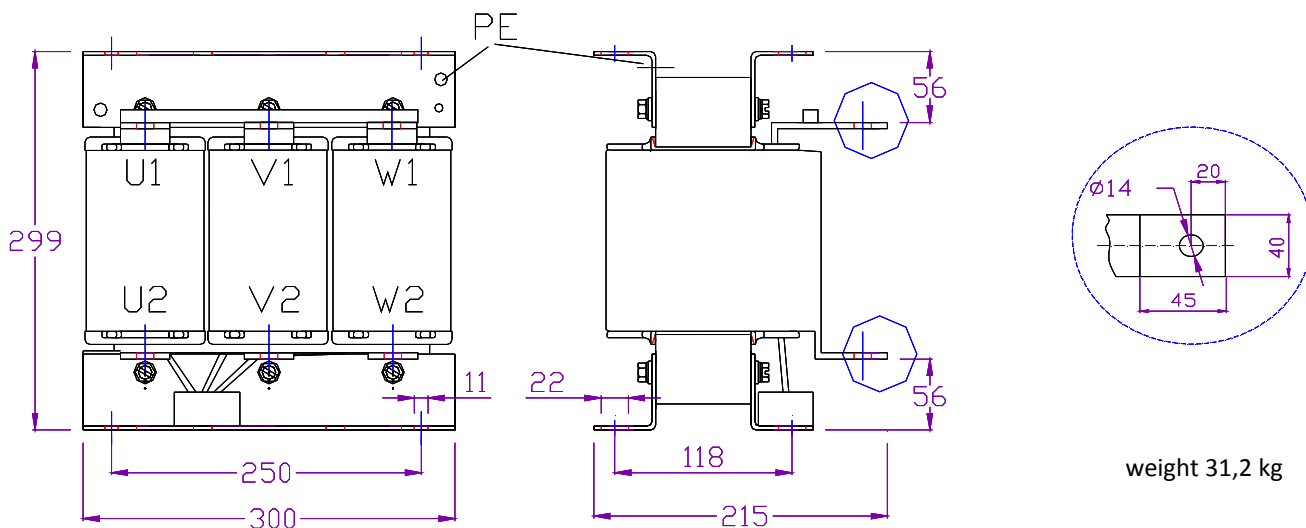
type code	order code	T_a 40°C		T_a 50°C		L mH	C μ F	terminal		clamping torque	
		I_N	P_{loss}	I_N	P_{loss}			main	PE	main	PE
		A	W	A	W			mm		Nm	Nm
	958-936	350	410	310	340	0,056	0,022	40 x 5	M10	85	50



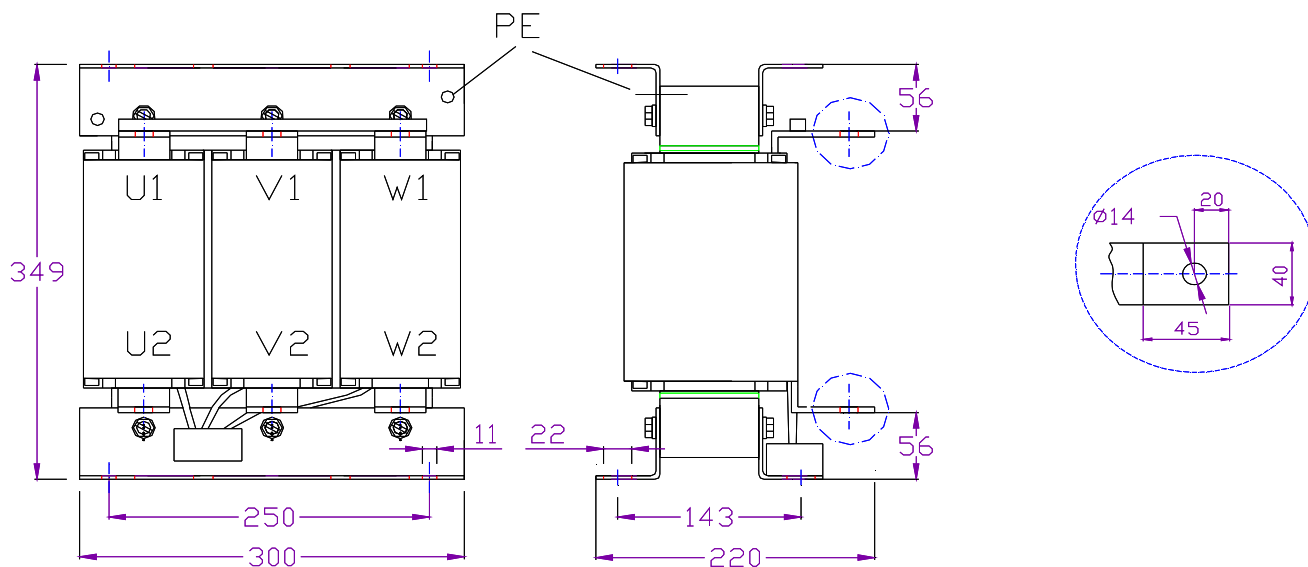
Dreiphasen-du/dt Filter

three-phase du/dt-filter

type code	order code	T_a 40°C		T_a 50°C		L mH	C μ F	terminal		clamping torque	
		I_N	P_{loss}	I_N	P_{loss}			main	PE	main	PE
		A	W	A	W			mm		Nm	Nm
	956-1014	350	300	310	250	0,022	0,047	40 x 5	M10	85	50



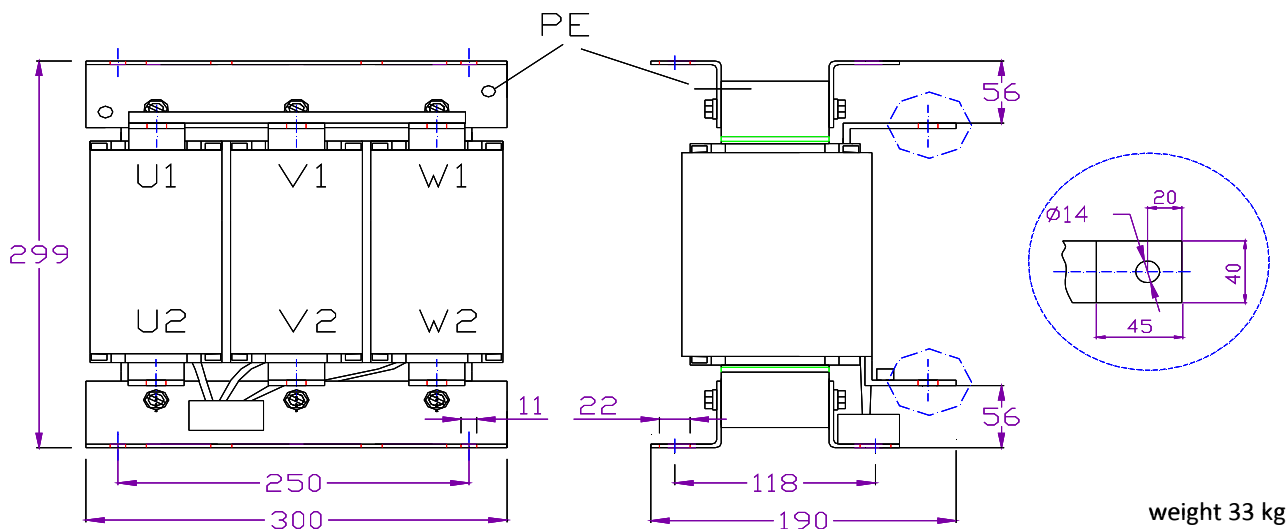
type code	order code	T_a 40°C		T_a 50°C		L mH	C μ F	terminal		clamping torque	
		I_N	P_{loss}	I_N	P_{loss}			main	PE	main	PE
		A	W	A	W			mm		Nm	Nm
	958-934	420	450	370	375	0,047	0,022	40 x 8	M10	85	50



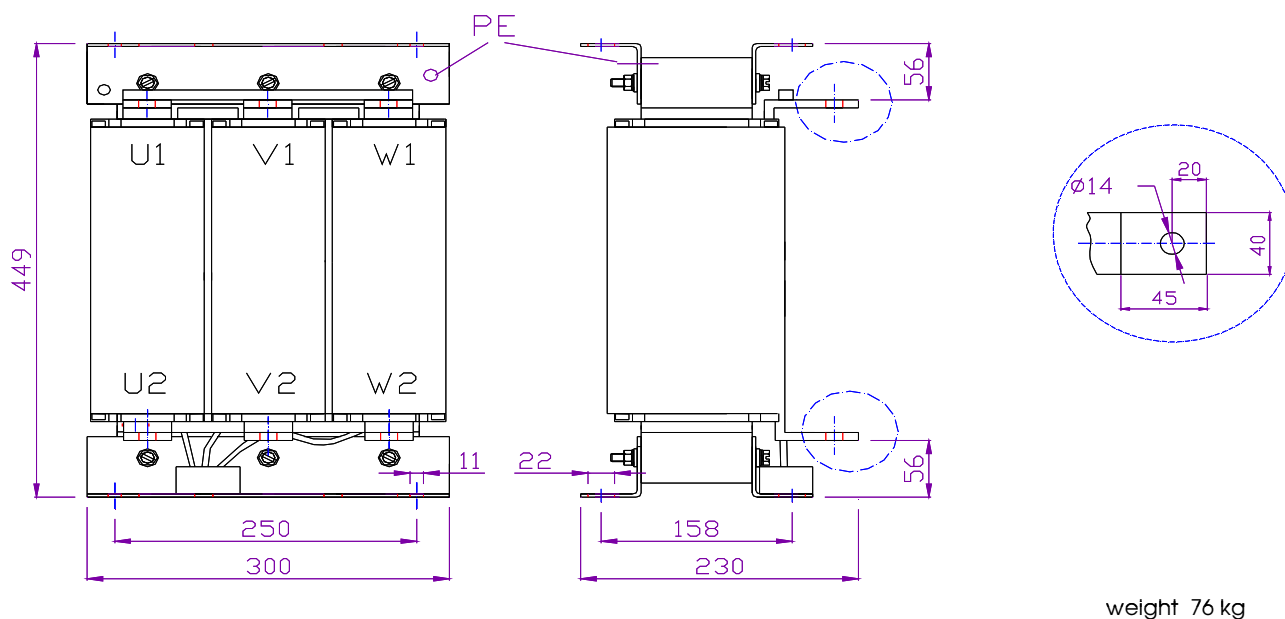
Dreiphasen-du/dt Filter

three-phase du/dt-filter

type code	order code	T_a 40°C		T_a 50°C		L mH	C μ F	terminal		clamping torque	
		I_N	P_{loss}	I_N	P_{loss}			main	PE	main	PE
		A	W	A	W			mm		Nm	Nm
	956-1010	420	330	370	275	0,017	0,068	40 x 8	M10	85	50



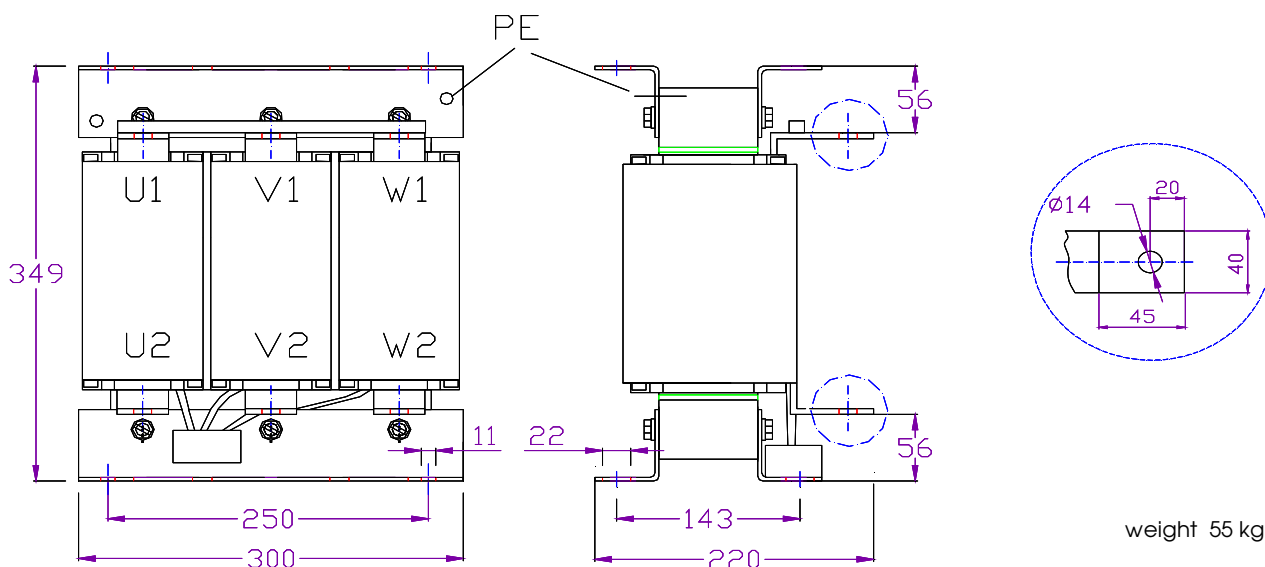
type code	order code	T_a 40°C		T_a 50°C		L mH	C μ F	terminal		clamping torque	
		I_N	P_{loss}	I_N	P_{loss}			main	PE	main	PE
		A	W	A	W			mm		Nm	Nm
	959-904	600	580	530	480	0,033	0,033	40 x 8	M12	85	85



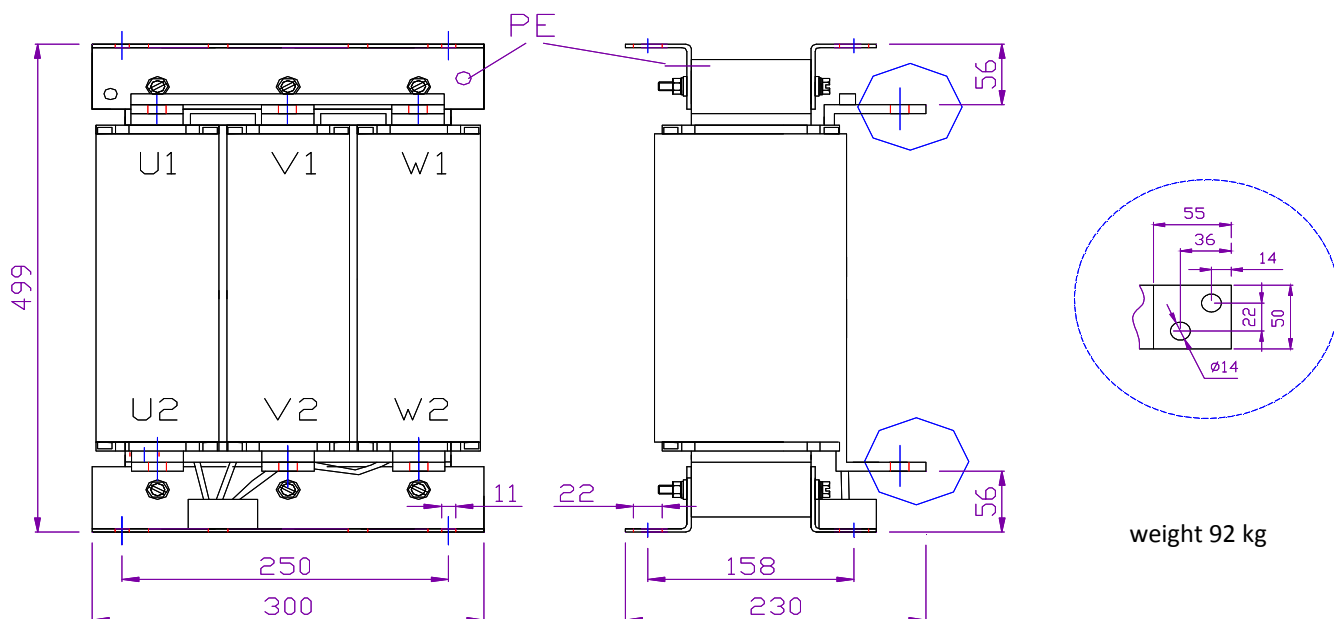
Dreiphasen-du/dt Filter

three-phase du/dt-filter

type code	order code	T _a 40°C		T _a 50°C		L mH	C µF	terminal		clamping torque	
		I _N	P _{loss}	I _N	P _{loss}			main	PE	main	PE
		A	W	A	W			mm		Nm	Nm
	958-952	600	450	530	375	0,012	0,100	40 x 8	M10	85	50



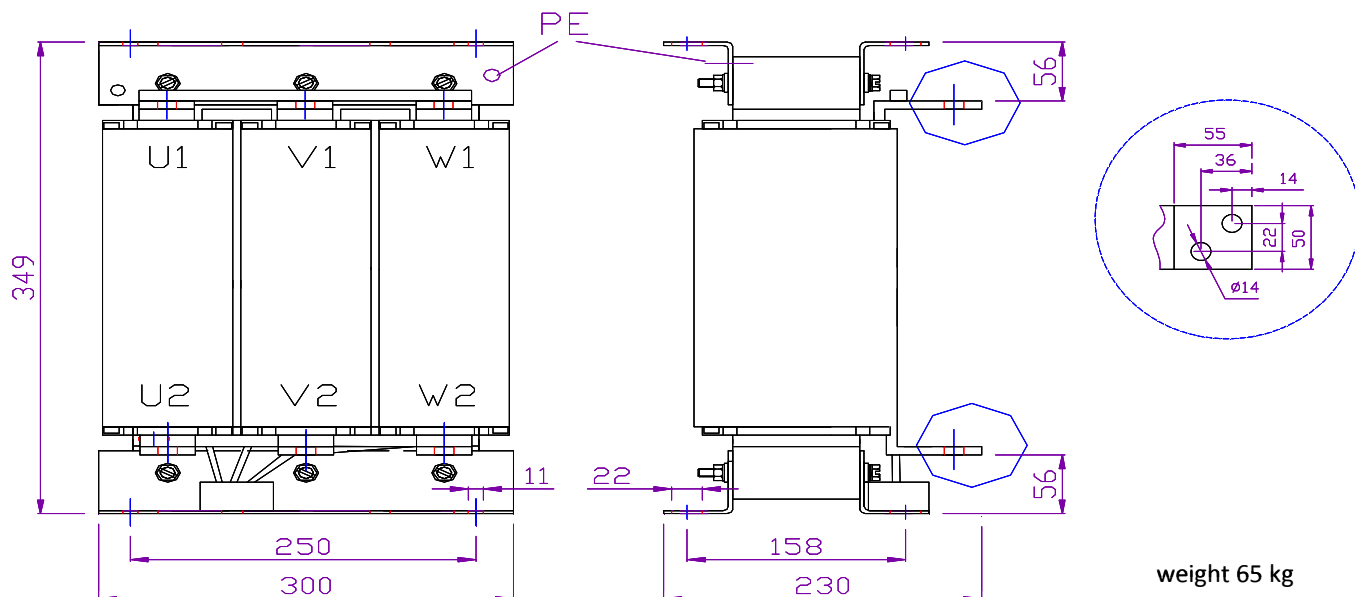
type code	order code	T _a 40°C		T _a 50°C		L mH	C µF	terminal		clamping torque	
		I _N	P _{loss}	I _N	P _{loss}			main	PE	main	PE
		A	W	A	W			mm		Nm	Nm
	959-905	820	750	720	620	0,024	0,047	50 x 10	M12	85	85



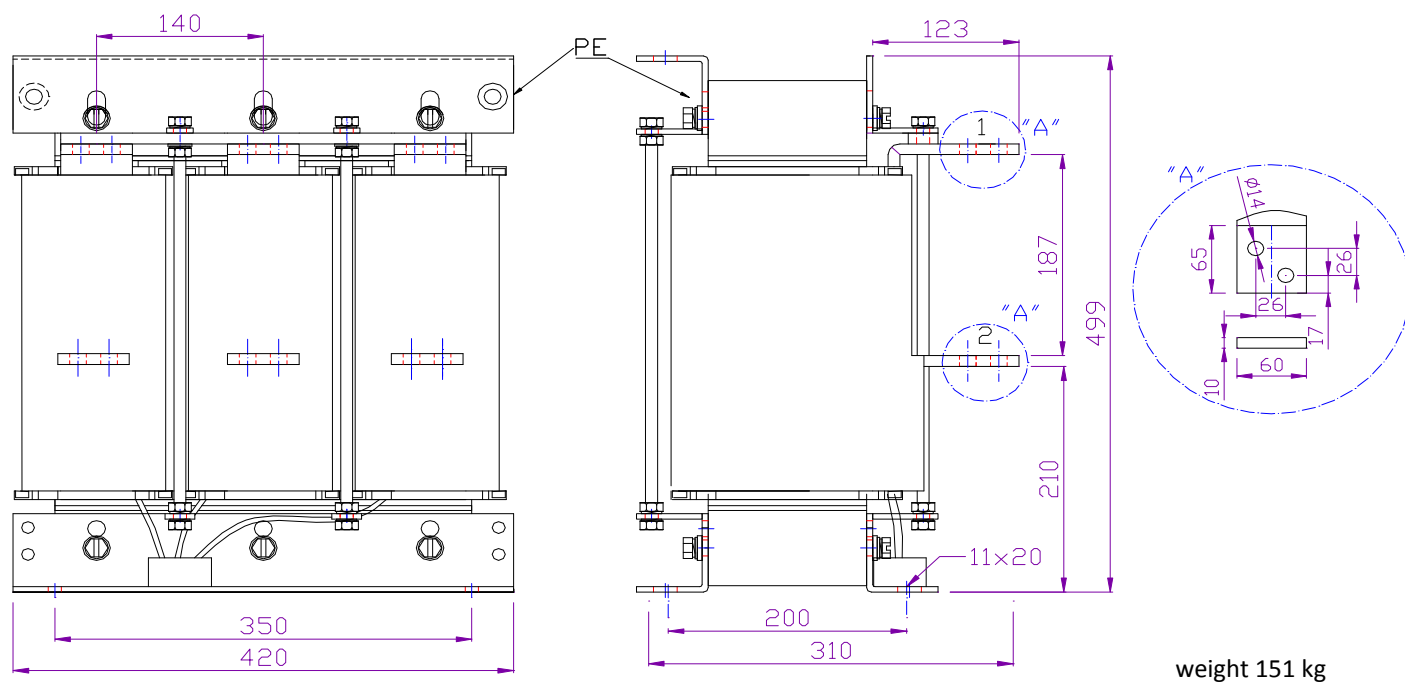
Dreiphasen-du/dt Filter

three-phase du/dt-filter

type code	order code	T_a 40°C		T_a 50°C		L mH	C μ F	terminal		clamping torque	
		I_N	P_{loss}	I_N	P_{loss}			main	PE	main	PE
		A	W	A	W			mm		Nm	Nm
	959-910	820	640	720	530	0,011	0,100	50 x 10	M10	85	50



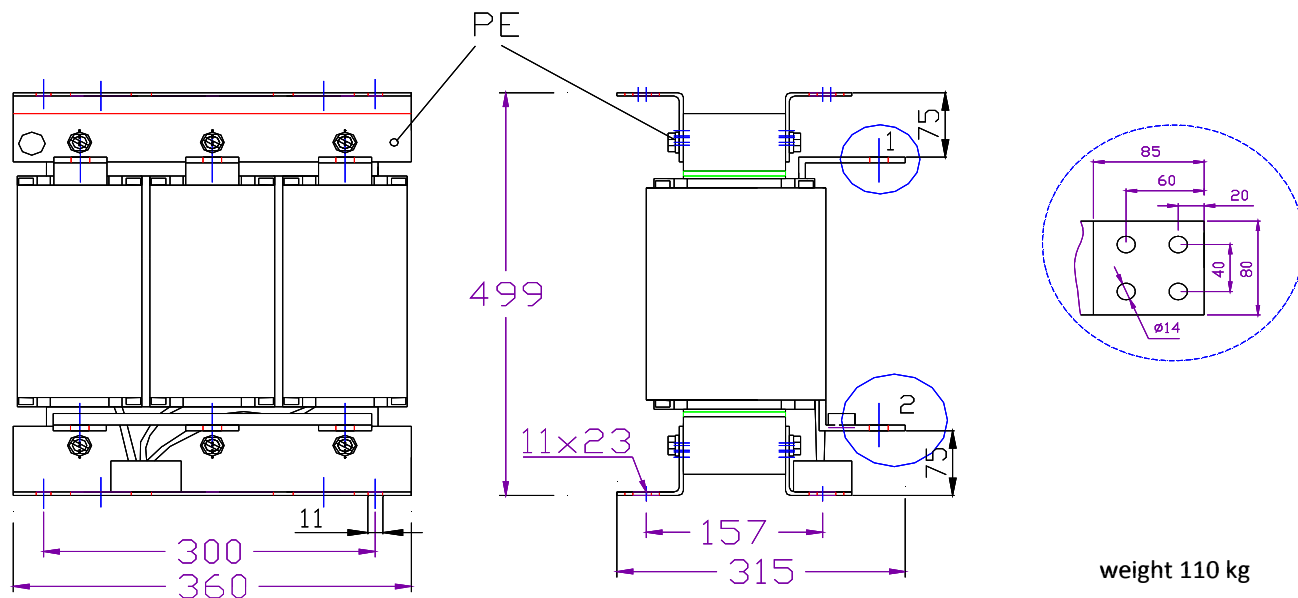
type code	order code	T_a 40°C		T_a 50°C		L mH	C μ F	terminal		clamping torque	
		I_N	P_{loss}	I_N	P_{loss}			main	PE	main	PE
		A	W	A	W			mm		Nm	Nm
	978-925	1200	980	1055	810	0,016	0,068	60 x 10	M16	85	200



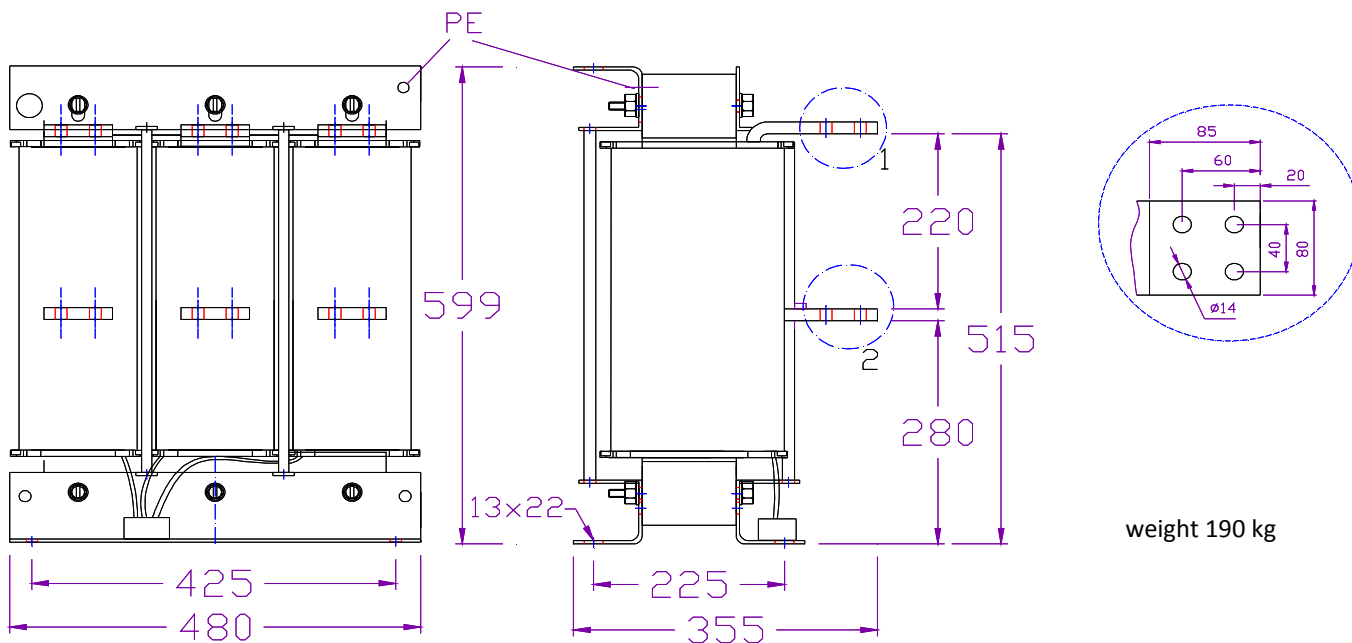
Dreiphasen-du/dt Filter

three-phase du/dt-filter

type code	order code	T_a 40°C		T_a 50°C		L mH	C μ F	terminal		clamping torque	
		I_N	P_{loss}	I_N	P_{loss}			main	PE	main	PE
		A	W	A	W			mm		Nm	Nm
	970-952	1200	860	1055	710	0,0067	0,150	80 x 15	M12	85	85



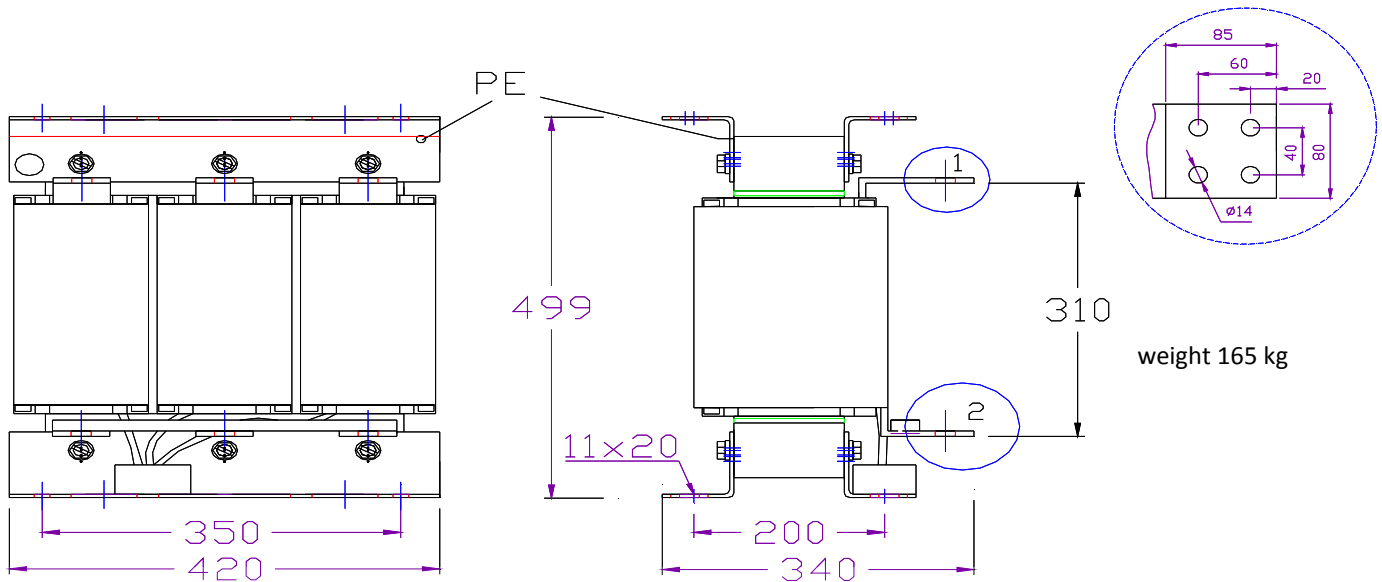
type code	order code	T_a 40°C		T_a 50°C		L mH	C μ F	terminal		clamping torque	
		I_N	P_{loss}	I_N	P_{loss}			main	PE	main	PE
		A	W	A	W			mm		Nm	Nm
	983-916	1500	1100	1320	910	0,013	0,1	80 x 15	M16	85	200



Dreiphasen-du/dt Filter

three-phase du/dt-filter

type code	order code	T _a 40°C		T _a 50°C		L mH	C µF	terminal		clamping torque	
		I _N	P _{loss}	I _N	P _{loss}			main	PE	main	PE
		A	W	A	W			mm	mm	Nm	Nm
	978-946	1500	900	1320	740	0,006	0,22	80 x 15	M16	85	200



type code	order code	T _a 40°C		T _a 50°C		L mH	C µF	terminal		clamping torque	
		I _N	P _{loss}	I _N	P _{loss}			main	PE	main	PE
		A	W	A	W			mm	mm	Nm	Nm
	998-917	2300	2200	2020	1810	0,009	0,068	100 x 15	M20	85	200

