

Linear Solenoids

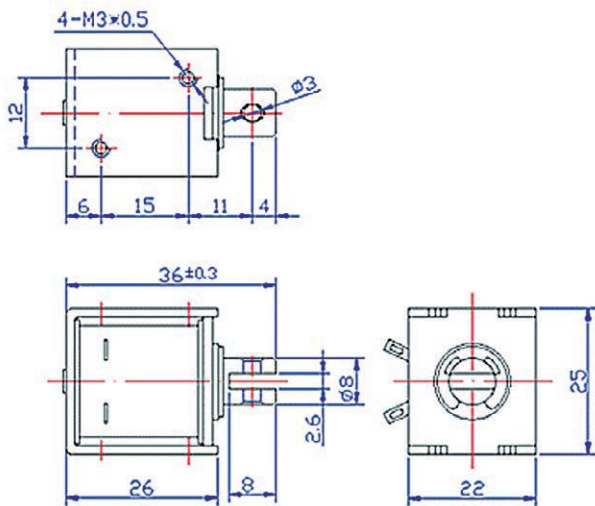
Frame solenoids standard

Small frame

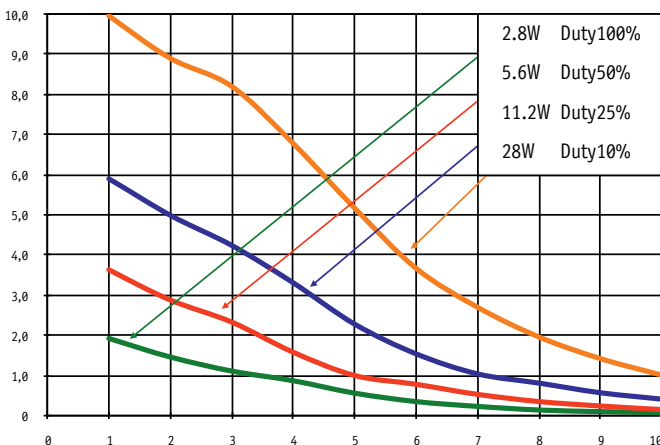
Overload capability

Solid

Type



Force-stroke-diagram (N/mm)



Description

Economical and light-weight based on frame mode construction. Including damping ring and dumper inside case. Open framed solenoid with closed brace.

Stroke: 6 - 10 mm

Weight: 66 g

Coil Data

Duty (Percent)	100	50	25	10
Power Drain (Watt)	2,8	5,6	11,2	28
Max. Duty (Seconds)	∞	100	36	7

Solenoid Layout

Version:

Pull Solenoid

Push with return spring (not illustrated)

Current:

12 VDC (standard)

24 VDC (standard)

other voltages on request

Special development

Do you like a costum designed version (for example frame, force, duty cycle etc.).

Please send us this form:

[Checklist \(PDF, 390 kB\)](#)