

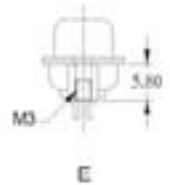
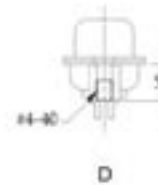
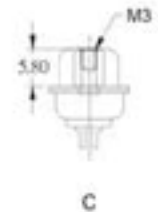
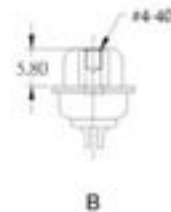
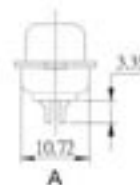
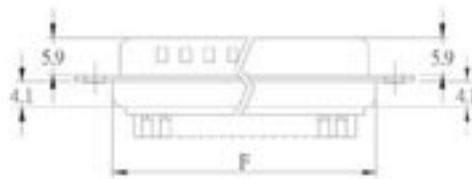
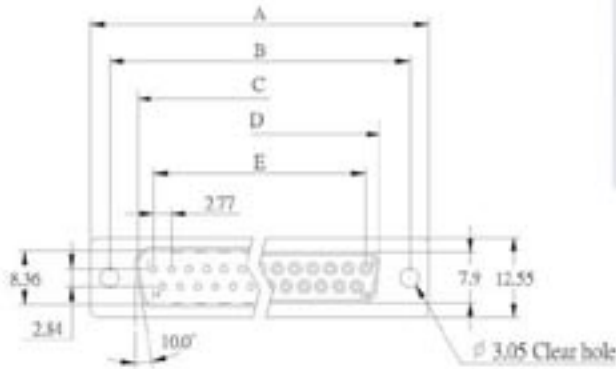
D-SUB SOLDER TYPE

SPECIFICATION

Current Rate:3 AMP
 Insulation Resistance:1000M Ω Min
 Contact Resistance:30m Ω Max
 Dielectric voltage:500V AC for one minute
 Operation Temperature:-40°C to +105°C

MATERIAL

Insulator:PBT+30% Glass Fiber(UL94V-0)
 Contact Pin:F:Phosphor Bronze or Brass
 M:Brass



Dimensions

Positions	A	B	C	D	E	F
9	30.81	24.99	16.92	16.33	11.08	19.20
15	39.14	33.32	25.50	24.66	19.39	27.70
25	53.04	47.04	38.95	38.38	33.24	41.10
37	69.32	63.50	55.42	54.84	49.86	57.30

ORDER INFORMATION

Bestell Code/Order Code: DST (Stecker / Male) - - -
 DBU (Buchse / Female) - - -

= Polzahl / No. of contacts (9,15,25,37)

= Isolierkörper weiß / Insulator white

= Lötkelch / Solder Type

D-SUB P.C.B. STRAIGHT TYPE

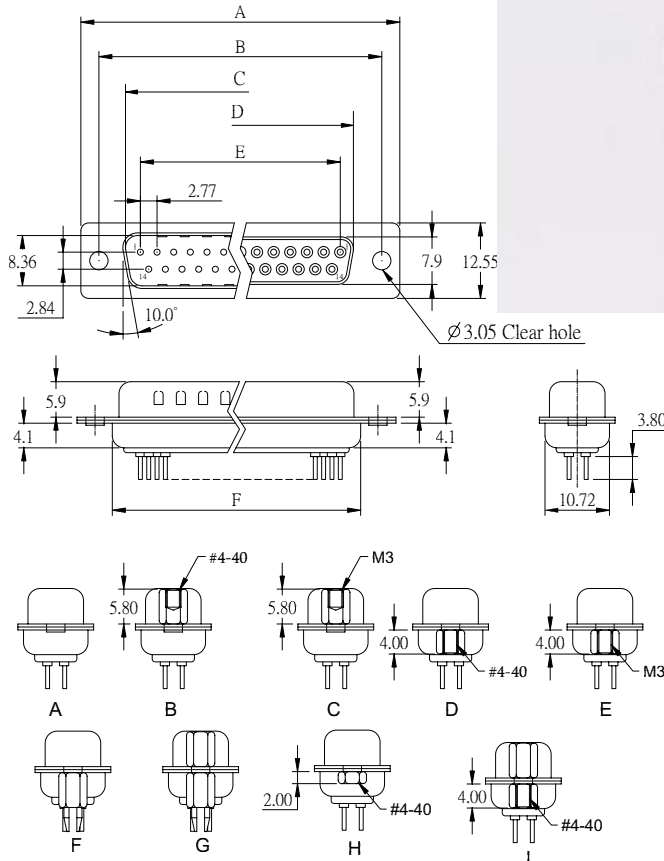


SPECIFICATION

Current Rate: 3 AMP
 Insulation Resistance: 1000M Ω Min
 Contact Resistance: 30m Ω Max
 Dielectric voltage: 500V AC for one minute
 Operation Temperature: -40°C to +105°C

MATERIAL

Insulator: PBT+30% Glass Fiber(UL94V-0)
 Contact Pin: F: Phosphor Bronze or Brass
 M: Brass



Dimensions

Positions	A	B	C	D	E	F
9	30.81	24.99	16.92	16.33	11.08	19.20
15	39.14	33.32	25.50	24.66	19.39	27.70
25	53.04	47.04	38.96	38.38	33.24	41.10
37	69.32	63.50	55.42	54.84	49.86	57.30

ORDER INFORMATION

Bestell Code/Order Code:

DST (Stecker / Male) - **1** - **2** - P
 DBU (Buchse / Female) - **1** - **2** - P

1 = Polzahl / No. of contacts (9,15,25,37)
2 = Isolierkörper weiß / Insulator white
 P = print gerade / P.C.B. straight

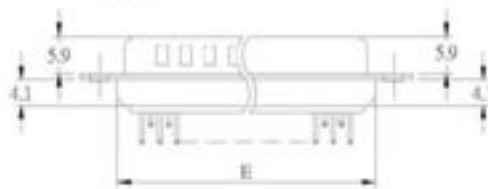
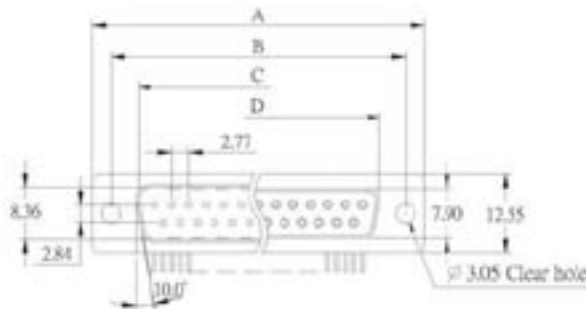
D-SUB MACHINE PIN

SPECIFICATION

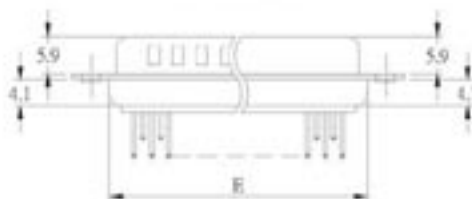
Current Rate: 3 AMP
 Insulation Resistance: 1000M Ω Min
 Contact Resistance: 30m Ω Max
 Dielectric voltage: 500V AC for one minute
 Operation Temperature: -40°C to +105°C

MATERIAL

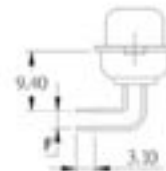
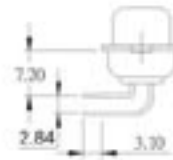
Insulator: PBT+30% Glass Fiber(UL94V-0)
 Contact Pin: F: Phosphor Bronze or Brass
 M: Brass



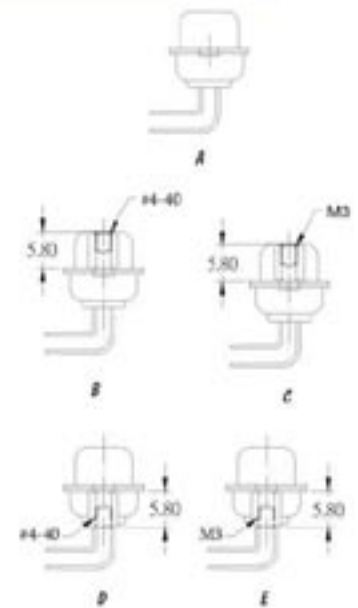
7.2mm Footprint



9.4mm Footprint



Dim F
2.54
2.84



Dimensions

Positions	A	B	C	D	E
9	30.81	24.99	16.92	16.33	19.20
15	39.14	33.32	25.50	24.66	27.70
25	53.04	47.04	38.96	38.38	41.10
37	69.32	63.50	55.42	54.84	57.30

ORDER INFORMATION

Bestell Code/Order Code:

DST (Stecker / Male) - ① - ② - A
 DBU (Buchse / Female) - ① - ② - A

① = Polzahl / No. of contacts (9,15,25,37)

② = Isolierkörper weiß / Insulator white

A = abgewinkelt / right angle

D-SUB RIGHT ANGLE TYPE 7.2/9.4/13.84 mm

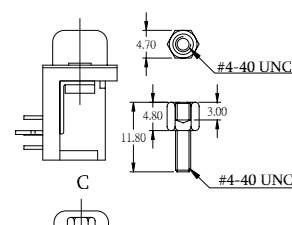
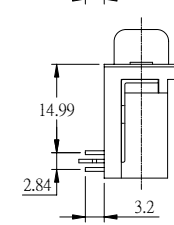
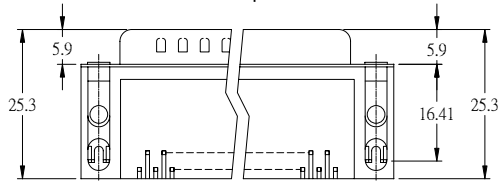
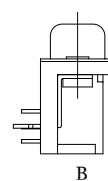
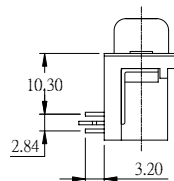
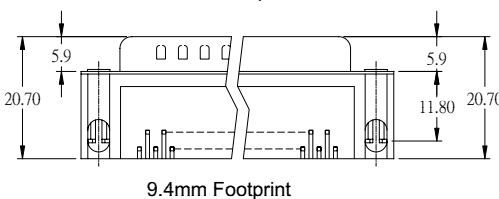
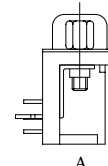
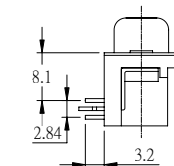
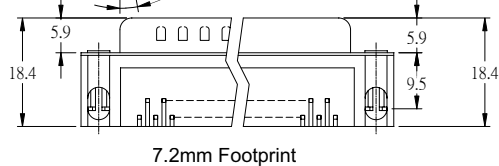
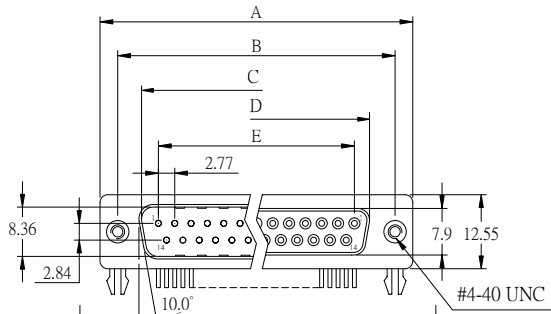


SPECIFICATION

Current Rate: 3 AMP
 Insulation Resistance: 1000M Ω Min
 Contact Resistance: 30m Ω Max
 Dielectric voltage: 1000V AC for one minute
 Operation Temperature: -55°C to +105°C

MATERIAL

Insulator: PBT+30% Glass Fiber(UL94V-0)
 Contact Pin: F: Phosphor Bronze or Brass
 M: Brass



Dimensions					
Positions	A	B	C	D	E
9	30.81	24.99	16.92	16.33	11.08
15	39.14	33.32	25.50	24.66	19.39
25	53.04	47.04	38.96	38.38	33.24
37	69.32	63.50	55.42	54.84	49.86

ORDER INFORMATION

Bestell Code/Order Code: DPR - 1 - 2 - 3 - 4

- 1 = Raster / Pitch
(without = 9,4 mm, S = 7,2 mm, T = 13,84)
- 2 = Polzahl / No. of contacts (9,15,25,37)
- 3 = M: Stecker / Male , F: Buchse / Female
- 4 = Isolierkörper schwarz / Insulator black

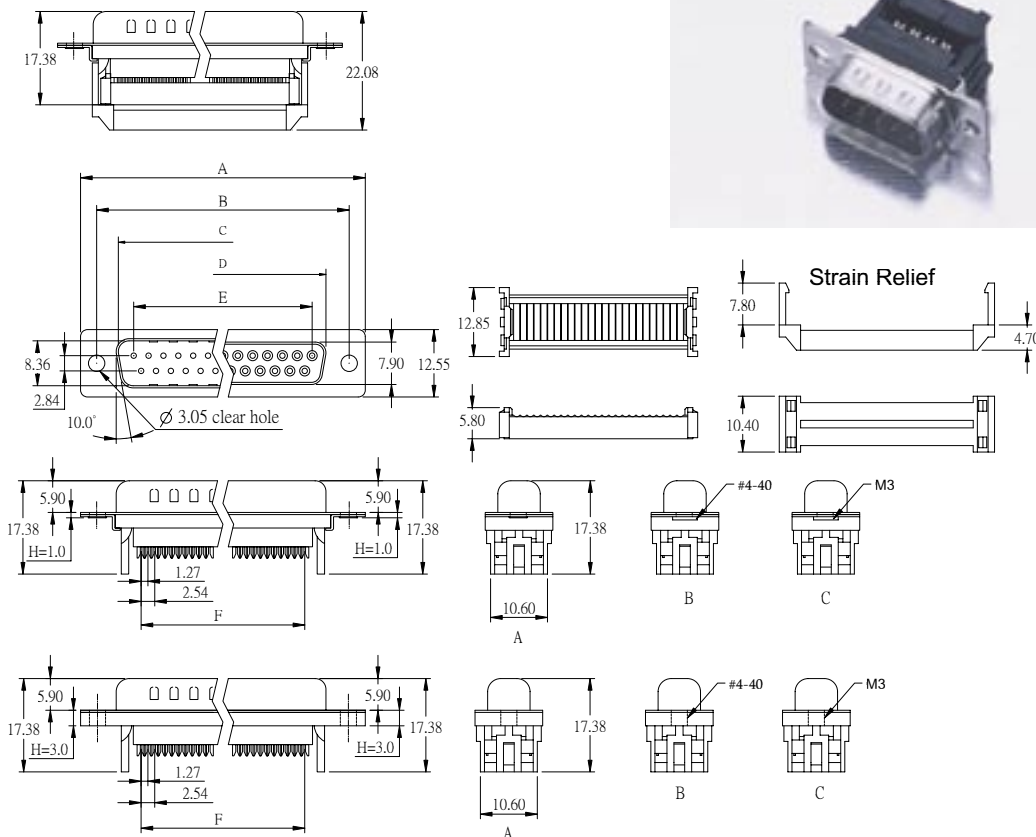
D-SUB I.D.C. TYPE

SPECIFICATION

Current Rate: 3 AMP
 Insulation Resistance: 1000M Ω Min
 Contact Resistance: 20m Ω Max
 Dielectric voltage: 500V AC for one minute
 Operation Temperature: -40°C to +105°C

MATERIAL

Insulator: PBT+30% Glass Fiber (UL94V-0)
 Contact Pin: F: Phosphor Bronze or Brass
 M: Brass



Dimensions

Positions	A	B	C	D	E	F
9	30.81	24.99	16.92	16.33	11.08	10.16
15	39.14	33.32	25.50	24.66	19.39	17.78
25	53.04	47.04	38.96	38.38	33.24	30.48
37	69.32	63.50	55.42	54.84	49.86	45.72

ORDER INFORMATION

Bestell Code/Order Code: DSK - **1** - **2** - **3** - **4**

- 1** = Polzahl / No. of contacts (9,15,25,37)
- 2** = P: Stecker / Male; S: Buchse / Female
- 3** = UNC 4 - 40
- 4** = Isolierkörper blau / Insulator blue

D-SUB CRIMP TYPE

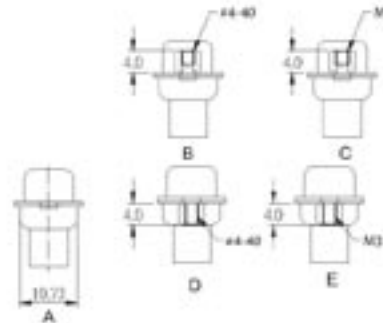
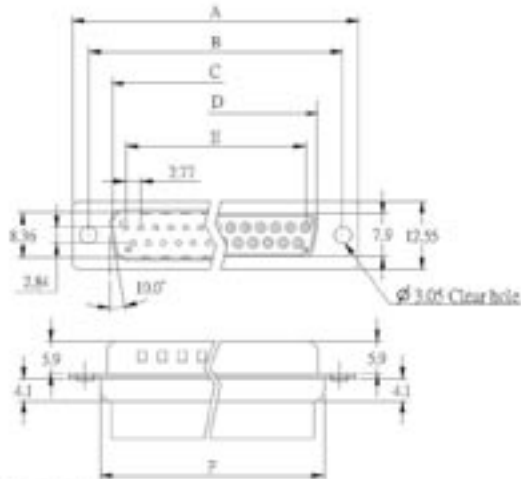


SPECIFICATION

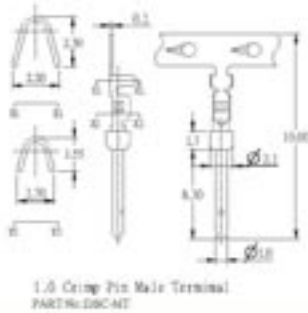
Current Rate: 3 AMP
 Insulation Resistance: 1000M Ω Min
 Contact Resistance: 30m Ω Max
 Dielectric voltage: 500V AC for one minute
 Operation Temperature: -40°C to +105°C

MATERIAL

Insulator: PBT+30% Glass Fiber(UL94V-0)
 Contact Pin: F: Phosphor Bronze or Brass
 M: Brass



Dimensions	A	B	C	D	E	F
9	30.81	24.99	16.92	16.33	11.98	19.20
15	39.14	33.32	25.50	24.66	19.39	27.70
25	53.04	47.04	38.96	38.38	33.24	41.10
37	69.32	63.50	55.42	54.84	49.66	57.30



ORDER INFORMATION

Bestell Code/Order Code: DST (Stecker / Male) - [1] - [2] - crimp
 DBU (Buchse / Female) - [1] - [2] - crimp

[1] = Polzahl / No. of contacts (9,15,25,37)

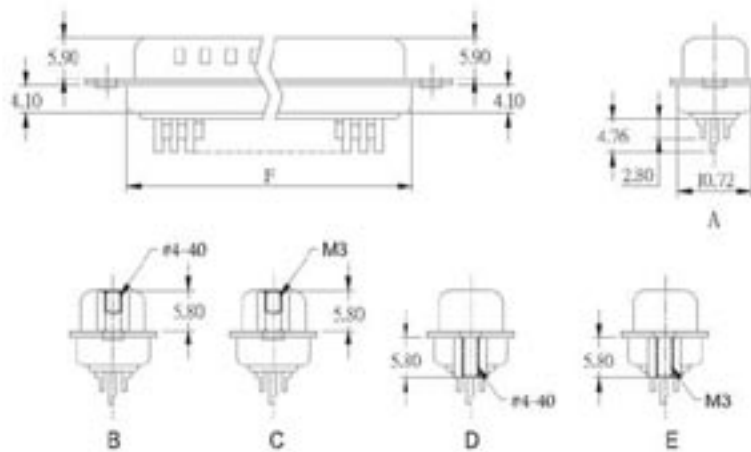
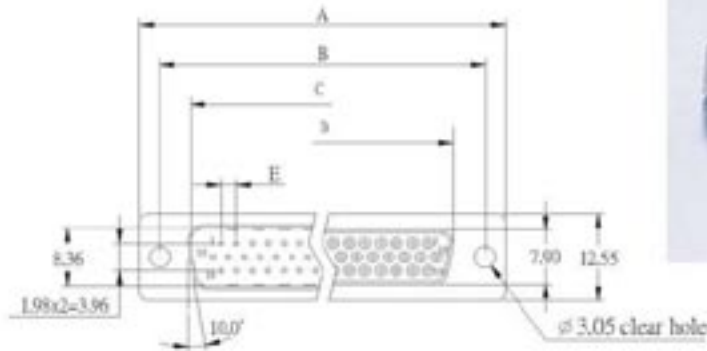
[2] = Isolierkörper schwarz / Insulator black

SPECIFICATION

Current Rate: 3 AMP
 Insulation Resistance: 1000M Ω Min
 Contact Resistance: 13m Ω Max
 Dielectric voltage: 500V AC for one minute
 Operation Temperature: -55°C to +105°C

MATERIAL

Insulator: PBT+30% Glass Fiber(UL94V-0)
 Contact Pin: F: Phosphor Bronze or Brass
 M: Brass



Dimensions

Positions	A	B	C	D	E	F
15	30.81	24.99	16.92	16.33	2.29	19.20
26	39.14	33.32	25.50	24.66	2.29	27.70
44	53.04	47.04	38.96	38.38	2.29	41.10
62	69.32	63.50	55.42	54.84	2.41	57.30

ORDER INFORMATION

Bestell Code/Order Code: HD - ① - ② - ③

- ① = Polzahl / No. of contacts (15,26,44,62)
- ② = M: Stecker / Male , F: Buchse / Female
- ③ = Isolierkörper weiß / Insulator white

D-SUB HIGH DENSITY PCB STRAIGHT TYPE

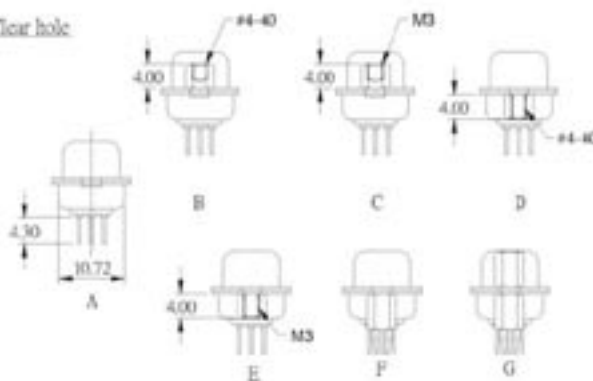
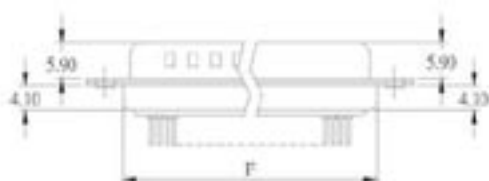
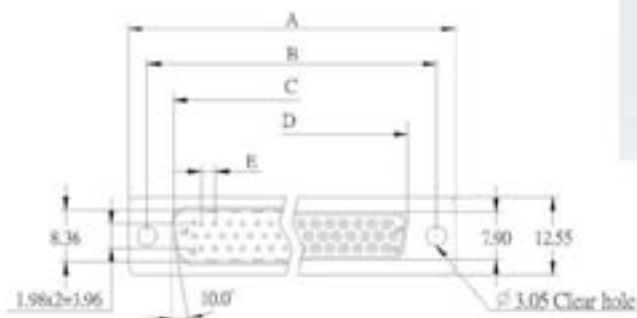


SPECIFICATION

Current Rate: 3 AMP
 Insulation Resistance: 1000M Ω Min
 Contact Resistance: 13m Ω Max
 Dielectric voltage: 500V AC for one minute
 Operation Temperature: -40°C to +105°C

MATERIAL

Insulator: PBT+30% Glass Fiber(UL94V-0)
 Contact Pin: F: Phosphor Bronze or Brass
 M: Brass



Dimensions

Positions	A	B	C	D	E	F
15	30.81	24.99	16.92	16.33	2.29	19.20
26	39.14	33.32	25.50	24.66	2.29	27.70
44	53.04	47.04	38.96	38.38	2.29	41.10
62	69.32	63.50	55.42	54.84	2.41	57.30

ORDER INFORMATION

Bestell Code/Order Code: HD - ① - ② - ③

- ① = Polzahl / No. of contacts (15,26,44,62)
- ② = MP: Stecker / Male , FP: Buchse / Female
- ③ = Isolierkörper weiß / Insulator white

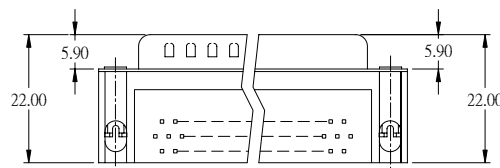
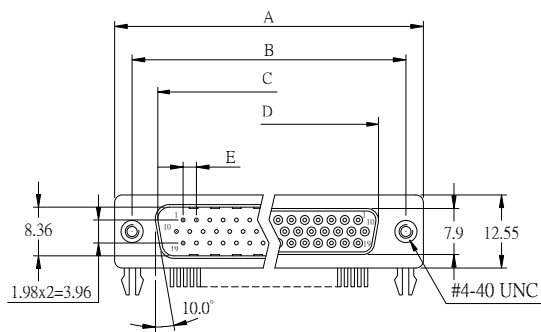
D-SUB HIGH DENSITY RIGHT ANGLE TYPE

SPECIFICATION

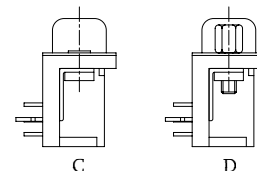
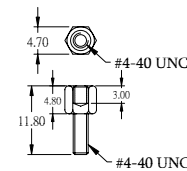
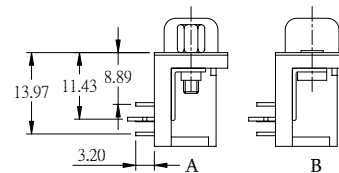
Current Rate:3 AMP
 Insulation Resistance:1000M Ω Min
 Contact Resistance:30m Ω Max
 Dielectric voltage:500V AC for one minute
 Operation Temperature:-55°C to +105°C

MATERIAL

Insulator:PBT+30% Glass Fiber(UL94V-0)
 Contact Pin:Phosphor Bronze or Brass



Dimensions					
Positions	A	B	C	D	E
15	30.81	24.99	16.92	16.33	2.29
26	39.14	33.32	25.50	24.66	2.29
44	53.04	47.04	38.96	38.38	2.29
62	69.32	63.50	55.42	54.84	2.41



ORDER INFORMATION

Bestell Code/Order Code: HD - **1** - **2** - **3**

- 1** = Polzahl / No. of contacts (15,26,44,62)
- 2** = AM: Stecker / Male , AF: Buchse / Female
- 3** = Isolierkörper schwarz / Insulator black

IDC SOCKET 2.54 mm

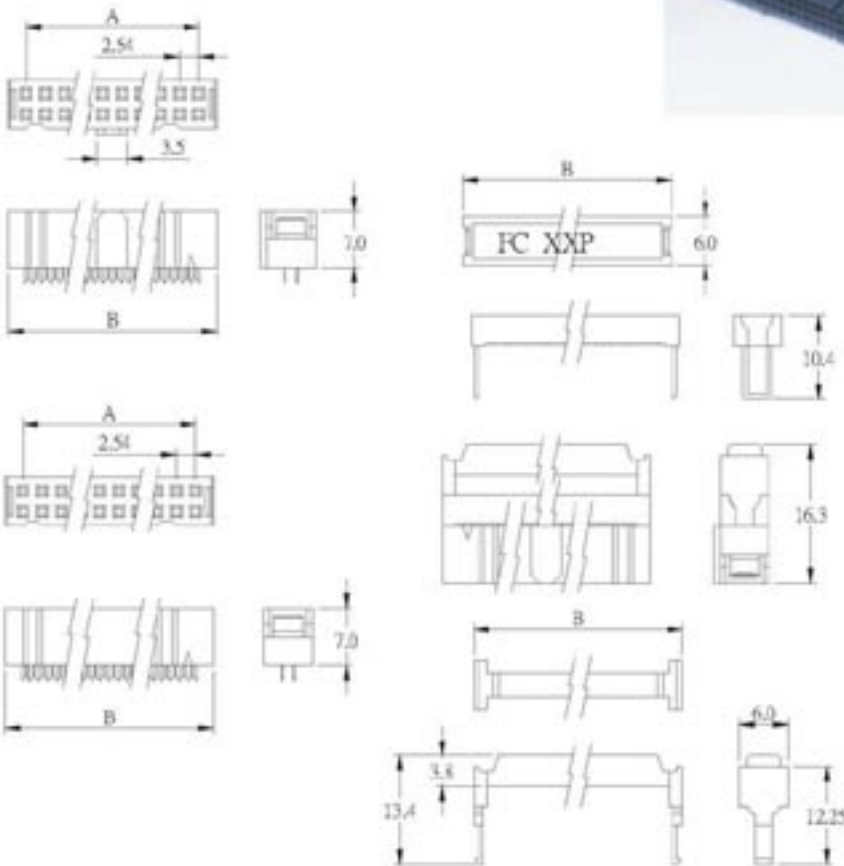


SPECIFICATION

Current Rate: 1 AMP
 Insulation Resistance: 1000M Ω Min.
 Contact Resistance: 20m Ω Max.
 Dielectric voltage: 1000V AC for one minute
 Operation Temperature: -55°C to +105°C

MATERIAL

Insulator: PBT+25%Glass Fiber(UL94V-0)
 Contact Pin: Phosphor Bronze



Matr flat cable 1.27 mm

Position	A _{±0.05}	B _{±0.1}
6P	5.08	12.16
8P	7.62	14.74
10P	10.16	17.20
12P	12.70	19.80
14P	15.24	22.50
16P	17.78	24.94
20P	22.86	30.08
24P	27.94	35.15
26P	30.48	37.58
30P	33.96	42.66
34P	40.64	47.80
40P	48.26	55.42
44P	53.34	60.56
50P	60.96	68.28
56P	68.58	75.74
60P	73.66	80.96
62P	76.20	83.32
64P	78.74	85.94

ORDER INFORMATION

Bestell Code/Order Code: PV - [1]

[1] = Polzahl / No. of contacts (06 - 64)

BOX HEADER 2.54 mm SMT/STR/RA TYPE

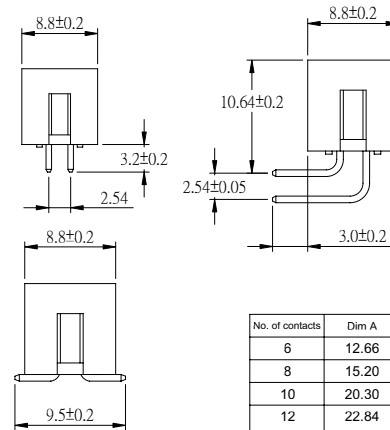
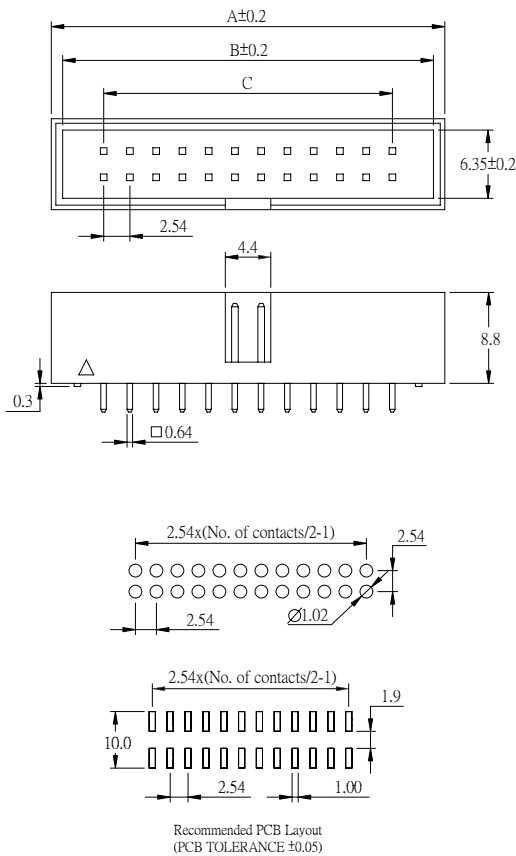


SPECIFICATION

Current Rate: 3 AMP
 Insulation Resistance: 5000M Ω Min.
 Contact Resistance: 10m Ω Max.
 Dielectric Voltage: 100V AC for one minute
 Operation Temperature: -40°C to +105°C

MATERIAL

Insulator: Polyester, UL 94V-0
 ©Standard: P.B.T SMT: Nylon 6T
 Contact Pin: Brass



No. of contacts	Dim A	Dim B	Dim C
6	12.66	10.26	5.08
8	15.20	12.80	7.62
10	20.30	18.10	10.16
12	22.84	20.64	12.70
14	25.38	23.18	15.24
16	27.92	25.72	17.78
20	33.00	30.80	22.85
24	38.08	35.88	27.94
26	40.62	38.42	30.48
30	45.70	43.50	35.56
34	50.80	48.58	40.64
40	58.40	56.20	48.26
44	63.48	67.28	53.34
50	71.10	68.90	60.96
56	78.72	76.52	68.58
60	83.80	81.60	73.66
64	88.88	86.68	78.74

ORDER INFORMATION

Bestell Code/Order Code:

ST - **1** - **2**

1 = Polzahl / No of contacts all (6-64)

2 = Ausführung / Version (G = gerade / straight; A = abgewinkelt / right angle; S = SMT)

EJECTOR HEADER 2.54 mm STR/RA TYPE

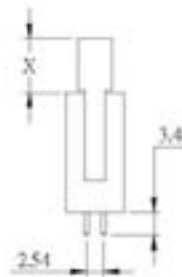
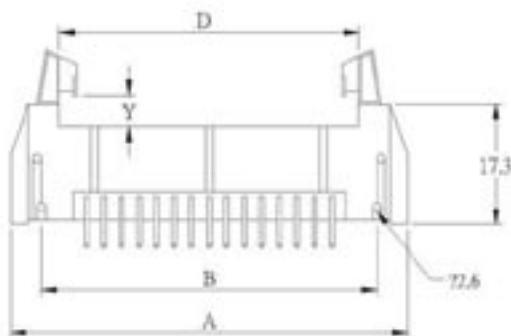
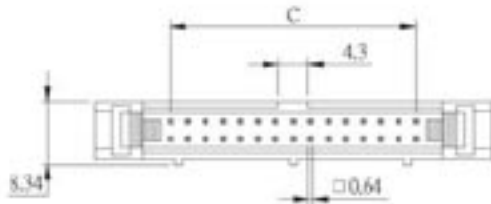


SPECIFICATION

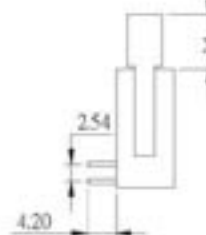
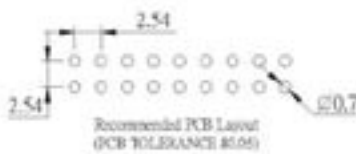
Current Rate: 3 AMP
 Insulation Resistance: 5000M Ω Min.
 Contact Resistance: 10m Ω Max.
 Dielectric Voltage: 100V AC for one minute
 Operation Temperature: -40°C to +105°C

MATERIAL

Insulator: Polyester, UL 94V-0
 ©Standard: P.B.T
 Contact Pin: Brass



TYPE	LONG	S-OFF
X	10.80	7.25
Y	7.00	4.45



	10	12	14	16	20	24	26	30	34	40	50	60	64
A	32.00	34.54	37.08	39.62	44.70	49.78	52.32	57.40	62.48	70.10	82.80	95.50	100.58
B	21.84	24.38	26.92	29.46	34.54	39.62	42.16	47.24	52.32	59.94	72.64	85.34	90.42
C	10.16	12.70	15.24	17.78	22.86	27.94	30.48	35.56	40.64	48.26	60.96	73.66	78.74
D	17.96	20.50	23.04	25.58	30.33	35.74	38.28	43.36	48.44	56.06	68.76	81.46	86.54

ORDER INFORMATION

Bestell Code/Order Code:

ST - ① - ② - ③

① = Polzahl / No of contacts all (10-64)

② = Ausführung / Version (G = gerade / straight; A = abgewinkelt / right Angle)

③ = Auswerfer / Latch (L = lang / long)

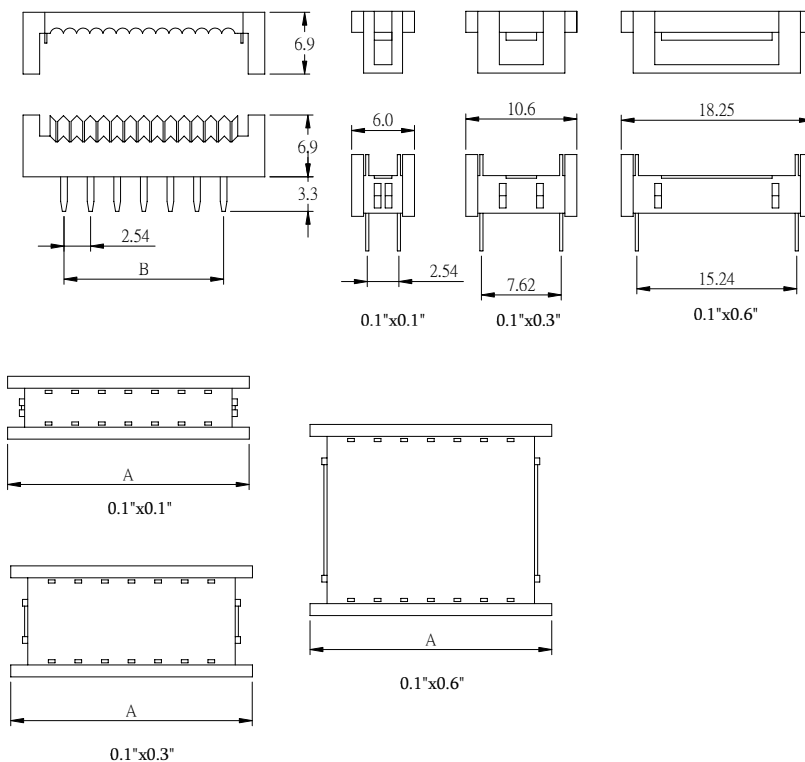
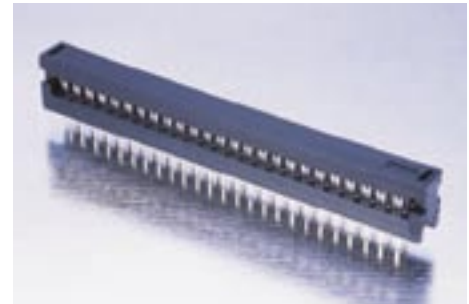
DIP PLUG 2.54 mm

SPECIFICATION

Current Rate: 1 AMP
 Insulation Resistance: 1000M Ω Min
 Contact Resistance: 30m Ω Max
 Dielectric voltage: 500V AC for one minute
 Operation Temperature: -40°C to +105°C

MATERIAL

Insulator: PBT UL94V-0
 Contact Pin: Phosphor Bronze



Mate flat cable 1.27 mm

POSITION	A	B	
10	17.76	10.16	0.1" = 2.54
14	22.84	15.24	
16	25.38	17.78	
20	30.46	22.86	
26	38.08	30.48	
30	43.16	35.56	
34	48.24	40.64	
40	55.86	48.26	
50	68.56	60.96	
60	81.26	73.66	
POSITION	A	B	
8	15.44	7.62	0.3" = 7.62
10	17.98	10.16	
14	23.06	15.24	
16	25.60	17.78	
18	28.14	20.32	
20	30.68	22.86	
24	35.76	27.94	
28	40.84	33.02	
40	56.08	48.26	
POSITION	A	B	
24	35.76	27.94	0.6" = 15.24
28	40.84	33.02	
32	45.92	38.10	
36	51.00	43.18	
40	56.08	48.26	

ORDER INFORMATION

Bestell Code/Order Code: LPV - **1** - **2**

1 = Polzahl / No. of contacts (08 - 60)

2 = 2,54 mm; 7,62 mm; 15,24 mm;

IDC SOCKET 2.0 mm

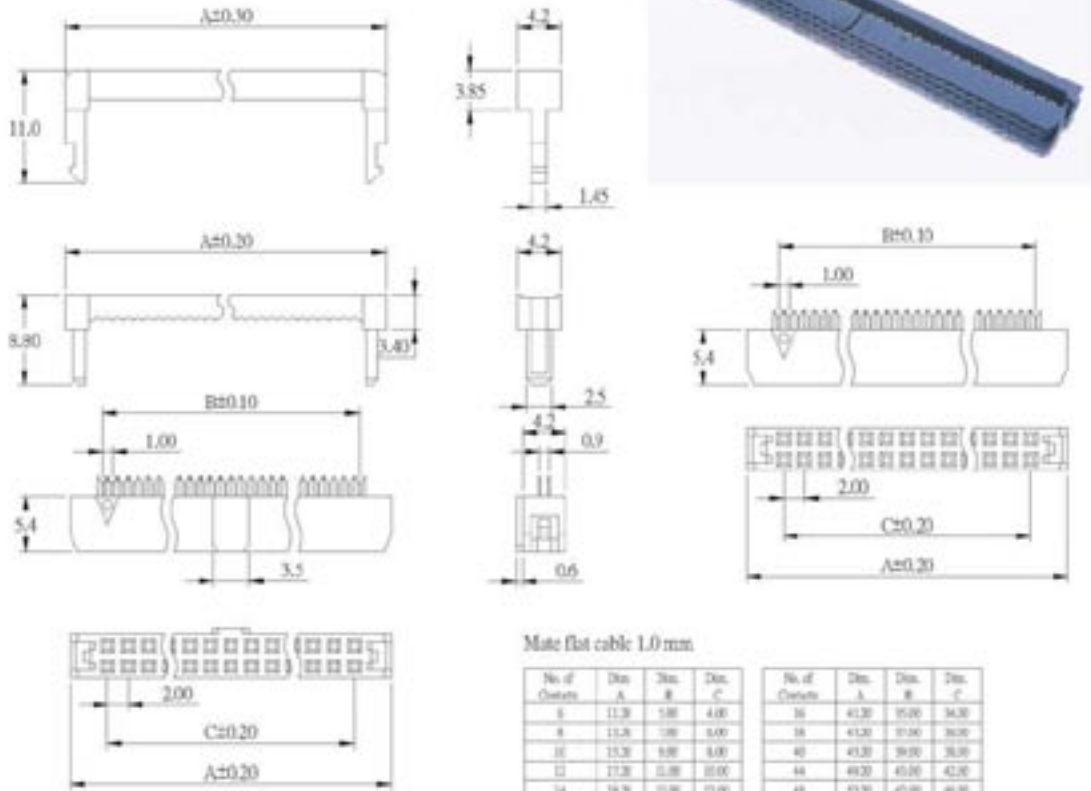


SPECIFICATION

Current Rate: 1 AMP
 Insulation Resistance: 1000M Ω Min.
 Contact Resistance: 30m Ω Max.
 Dielectric voltage: 500V AC for one minute
 Operation Temperature: -55°C to +105°C

MATERIAL

Insulator : PBT+30% Glass Fiber(UL 94V-0)
 Contact Pin: Phosphor Bronze



Mate flat cable 1.0 mm

No. of Contacts	Dim. A	Dim. B	Dim. C	No. of Contacts	Dim. A	Dim. B	Dim. C
6	11.3	5.8	4.0	36	61.3	35.0	34.0
8	13.3	5.8	6.0	38	63.3	35.0	36.0
10	15.3	6.8	6.0	40	65.3	36.0	38.0
12	17.3	11.8	10.0	44	69.3	41.0	42.0
14	19.3	15.8	13.0	48	73.3	45.0	46.0
16	21.3	19.8	16.0	50	75.3	46.0	48.0
18	23.3	19.8	18.0	54	79.3	51.0	52.0
20	25.3	18.8	18.0	56	81.3	51.0	54.0
22	27.3	21.8	20.0	60	85.3	56.0	58.0
24	29.3	25.8	23.0	62	87.3	57.0	60.0
26	31.3	25.8	26.0	64	89.3	57.0	62.0
28	33.3	29.8	26.0	68	93.3	62.0	66.0
30	35.3	28.8	26.0	80	113.3	76.0	78.0
32	37.3	31.8	30.0	100	133.3	90.0	98.0
34	39.3	35.8	32.0				

ORDER INFORMATION

Bestell Code/Order Code: PV - $\boxed{1}$ - 2,0

$\boxed{1}$ = Polzahl / No. of contacts (06 - 100)

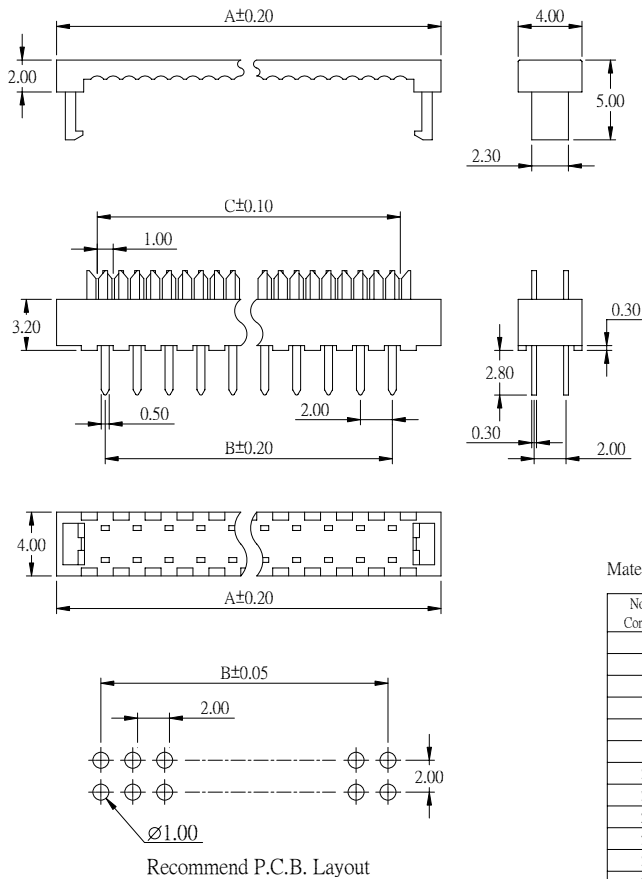
DIP PLUG 2.0 mm

SPECIFICATION

Current Rate: 1 AMP
 Insulation Resistance: 1000M Ω Min
 Contact Resistance: 30m Ω Max
 Dielectric voltage: 500V AC for one minute
 Operation Temperature: -55°C to +105°C

MATERIAL

Insulator: PBT+30% Glass Fiber6T(UL94V-0)
 Contact Pin: Phosphor Bronze



Mate flat cable 1.0 mm

No. of Contacts	Dim. A	Dim. B	Dim. C	No. of Contacts	Dim. A	Dim. B	Dim. C
8	12.10	6.00	7.00	36	40.10	34.00	35.00
10	14.10	8.00	9.00	38	42.10	36.00	37.00
12	16.10	10.00	11.00	40	44.10	38.00	39.00
14	18.10	12.00	13.00	42	46.10	40.00	41.00
16	20.10	14.00	15.00	44	48.10	42.00	43.00
18	22.10	16.00	17.00	46	50.10	44.00	45.00
20	24.10	18.00	19.00	48	52.10	46.00	47.00
22	26.10	20.00	21.00	50	54.10	48.00	49.00
24	28.10	22.00	23.00	52	56.10	50.00	51.00
26	30.10	24.00	25.00	54	58.10	52.00	53.00
28	32.10	26.00	27.00	56	60.10	54.00	55.00
30	34.10	28.00	29.00	58	62.10	56.00	57.00
32	36.10	30.00	31.00	60	64.10	58.00	59.00
34	38.10	32.00	33.00				

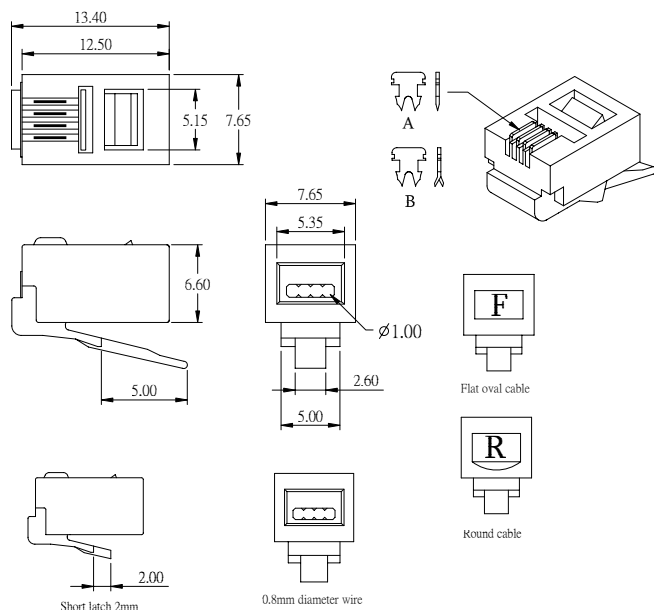
ORDER INFORMATION

Bestell Code/Order Code: LPV - $\boxed{1}$ - 2,0

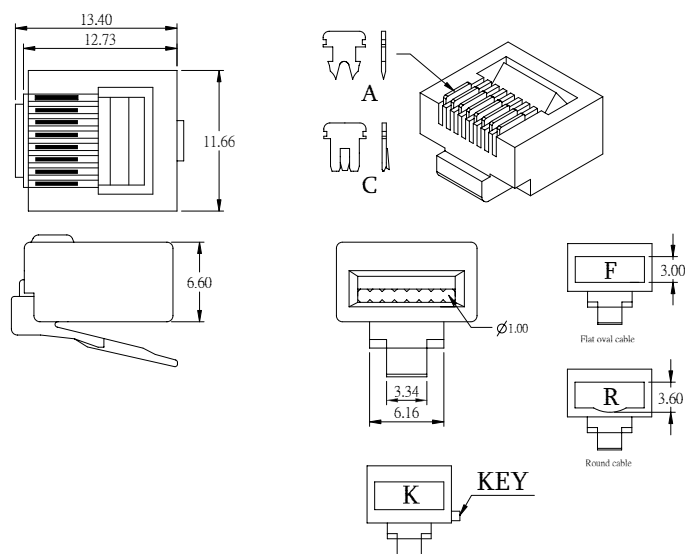
$\boxed{1}$ = Polzahl / No. of contacts (08 - 60)

MODULAR PLUG 4/8 POSITION

MATERIAL & FINISH
 HOUSING: PC. UL94V-2
 CONTACT: COPPER ALLOY
 PLATED WITH GOLD.



MODULAR PLUG 4 POSITION



MODULAR PLUG 8 POSITION



ORDER INFORMATION

Bestell Code/Order Code: Modular Plug 4 p - **1**

Modular Plug 8 p - **1**

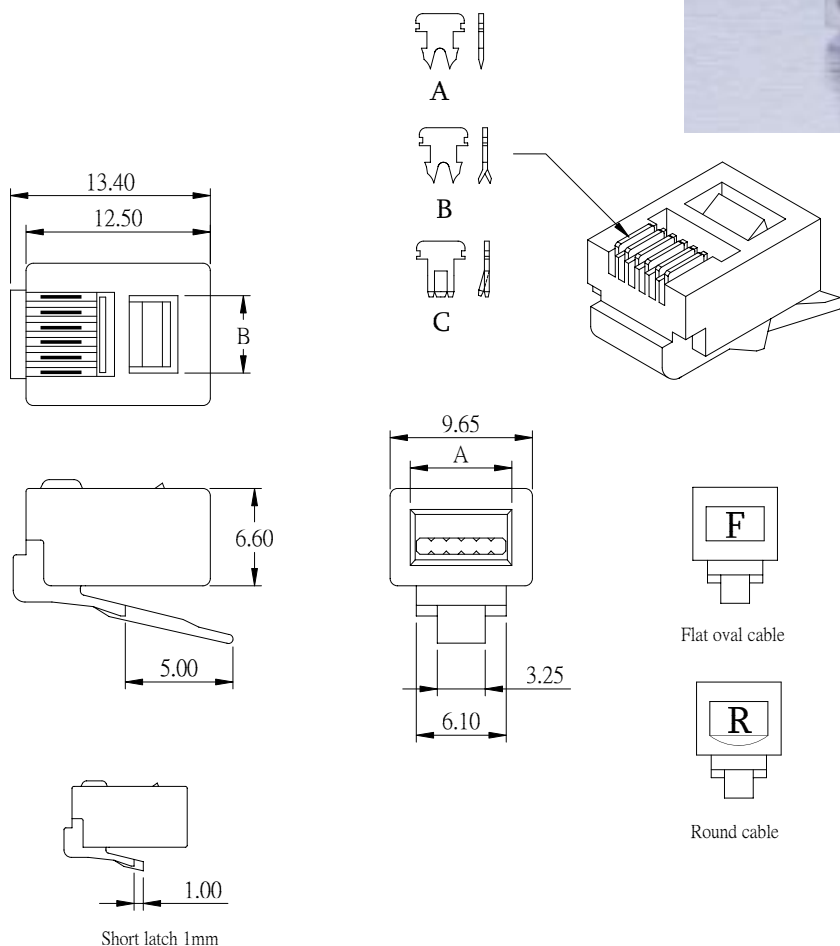
1 = Polzahl / No. of contacts (2 C, 4 C, 6 C, 8 C)

MODULAR PLUG 6 POSITION

MATERIAL & FINISH

HOUSING: PC. UL94V-2

CONTACT: COPPER ALLOY
PLATED WITH GOLD.



	A	B
6P2C	5.20	5.10
6P4C	5.20	5.10
6P6C	7.10	6.20

ORDER INFORMATION

Bestell Code/Order Code: Modular Plug 6 p - $\boxed{1}$

$\boxed{1}$ = Polzahl / No. of contacts (2 C, 4 C, 6 C)

STAMPED PIN IC SOCKET CONNECTOR PITCH 2.54 mm

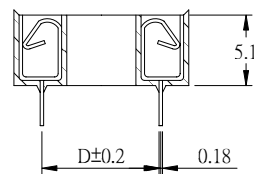
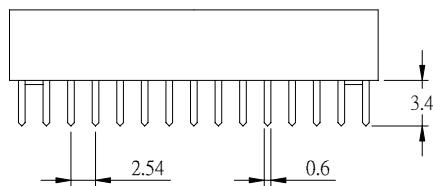
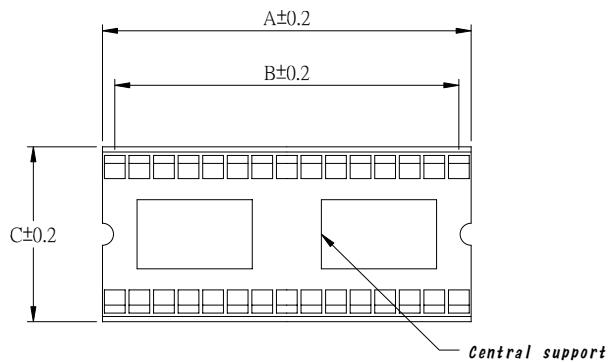


SPECIFICATION

Current Rate: 1 AMP
 Insulation Resistance: 5000M Ω Min
 Contact Resistance: 20m Ω Max
 Dielectric voltage: 1000V AC for one minute
 Operation Temperature: -55°C to +150°C

MATERIAL

Insulator: UL 94V-0
 Contact Pin: Phosphor Bronze



A, B, C, D Tolerance is ± 0.2

No. of	6	8	14	16	18	20	22	24N	28N	32N	24W	28W	32W	40	48
A	7.62	10.16	17.78	20.32	22.86	25.40	27.94	30.48	35.56	40.64	30.48	35.56	40.64	50.80	60.96
B	5.08	7.62	15.24	17.78	20.32	22.86	25.40	27.94	33.02	38.10	27.94	33.02	38.10	48.26	58.42
C	10.00											17.50			
D	7.62											15.24			
	IC1-3XX											IC1-6XX			

ORDER INFORMATION

Bestell Code/Order Code: IC Fassung - **1** - **2**

1 = Polzahl / No. of contacts (06-48)

2 = 7,62 / 15,24

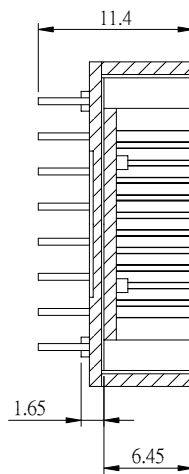
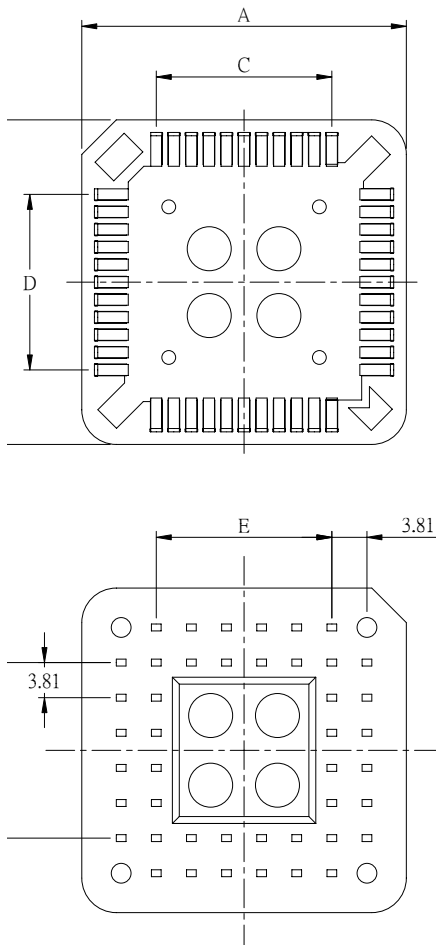
PLCC SOCKET THROUGH HOLE TYPE

SPECIFICATION

Current Rate:1 AMP
 Insulation Resistance:1000M Ω Min
 Contact Resistance:30m Ω Max
 Dielectric voltage:600V AC for one minute
 Operation Temperature:-50°C to +105°C

MATERIAL

Insulator:Hi-temp PPS, UL 94V-0
 Contact material:Phorphos Bronze Jis 5210
 contact Platred:150U" tin over 40U" nickel



No. of contactst	A \pm 0.15	B \pm 0.15	C \pm 0.1	D \pm 0.1	E \pm 0.1	F \pm 0.1
20 <small>PPS</small> PBT	15.50	15.50	5.08	5.08	5.08	5.08
28 <small>PPS</small> PBT	18.04	18.04	7.62	7.62	7.62	7.62
32 <small>PPS</small> PBT	18.04	20.60	7.62	10.16	7.62	10.16
44 <small>PPS</small> PBT	23.48	23.48	12.70	12.70	12.70	12.70
52 <small>PPS</small> PBT	25.88	25.88	15.24	15.24	15.24	15.24
68 PPS	31.04	31.04	20.32	20.32	20.32	20.32
84 PPS	36.04	36.04	25.40	25.40	25.40	25.40
68 PBT	31.66	31.66	20.32	20.32	20.32	20.32
84 PBT	36.66	36.66	25.40	25.40	25.40	25.40

ORDER INFORMATION

Bestell Code/Order Code: PLCC Fassung - **1**

1 = Polzahl / No. of contacts (20-84)

PLCC SOCKET SURFACE MOUNT

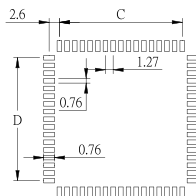
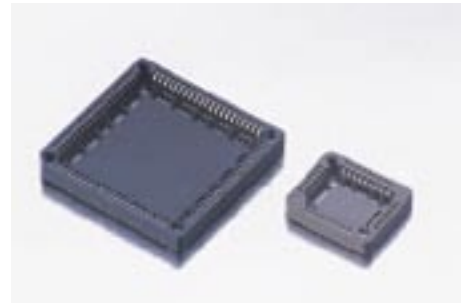
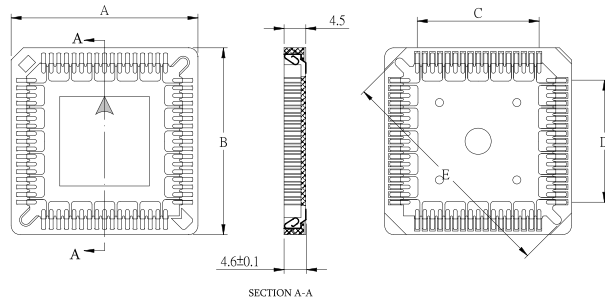


SPECIFICATION

Current Rate: 1 AMP
 Insulation Resistance: 1000M Ω Min
 Contact Resistance: 30m Ω Max
 Dielectric voltage: 600V AC for one minute
 Operation Temperature: -50°C to +105°C

MATERIAL

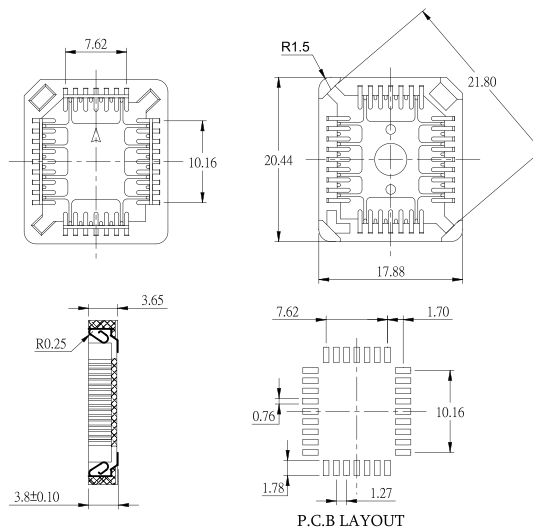
Insulator: Hi-temp PPS. UL 94V-0
 Contact material: Phosphor Bronze Jis 5210
 contact Plated: 150U" tin over 40U" nickel



P.C.B LAYOUT

No. of contact	A ₁ ∅0.2	B ₁ ∅0.2	C ₁ ∅0.1	D ₁ ∅0.1	E ₁ ∅0.2
20	15.66	15.66	5.08	5.08	17.28
28	18.20	18.20	7.62	7.62	20.87
32	18.20	20.74	7.62	10.16	22.60
44	23.28	23.28	12.70	12.70	28.30
52	25.82	25.82	15.24	15.24	31.65
68	30.90	30.90	20.32	20.32	38.83
84	35.98	35.98	25.40	25.40	46.00

SLIM TYPE
 Part No.: SPLCCS-32TX



P.C.B LAYOUT

ORDER INFORMATION

Bestell Code/Order Code: PLCC Fassung SMD - [1]

[1] = Polzahl / No. of contacts (20-84)