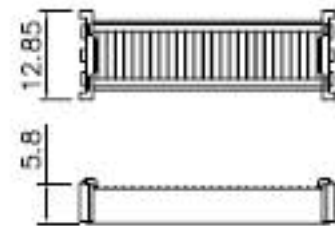
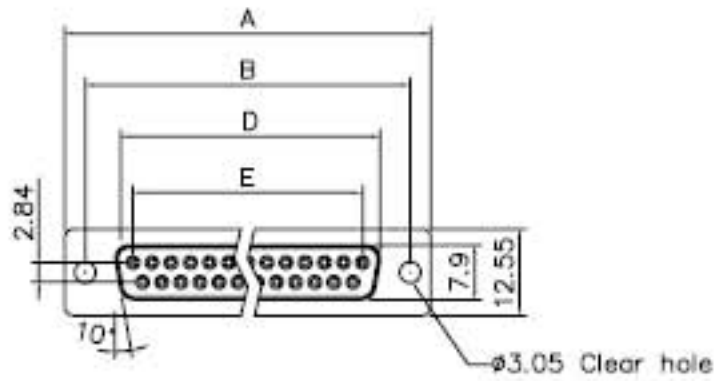


THE INFORMATION CONTAINED IN THIS DOCUMENT IS PROPRIETARY TO Y-S ELECTRONIC, ANY REPRODUCTION IN PART OR WHOLE WITHOUT PRIOR WRITTEN APPROVAL OR AUTHORIZATION OF Y-S ELECTRONIC IS STRICTLY PROHIBITED.

RoHS COMPLIANT

REVISIONS				
REV	EDN NO.	DESCRIPTION	APPROVED BY	DATE
A		⚠	KING CHIU	2006-06-03



Cover

Product Specification

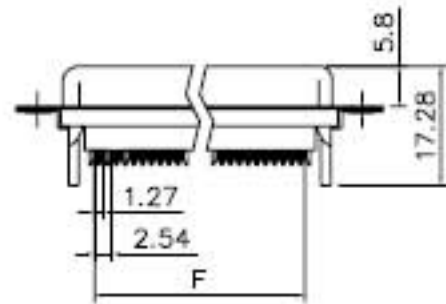
Material

Insulator : Glass-Filled Thermoplastic PBT, UL94V-0
 Contact : Copper alloy
 Shell: SPCC

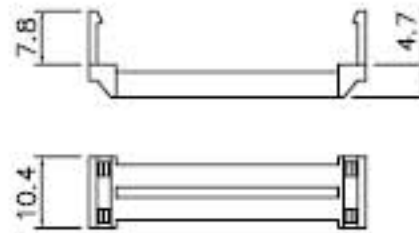
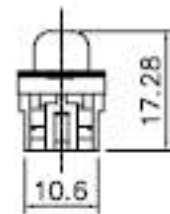
Electrical

Contact Resistance : 20 milliohms
 Max at 1 AMP DC.
 Insulation Resistance : 1000
 megohms at 500 VDC
 Dielectric Withstanding Voltage :
 1000 VAC/rms 60Hz for 1 minute
 Current Rating : 1 AMP
 Voltage Rating : 250 VAC/rms 60Hz

Important is that the min mating cycles d-sub5 must have are 1000



Without Insulator Support



Strain Relief

Dimensions

Positions	A	B	D	E	F
9	30.81	24.99	16.33	11.08	10.16
15	39.14	33.32	24.66	19.39	17.78
25	53.04	47.04	38.38	33.24	30.48
37	69.32	63.50	54.84	49.86	45.72

DIMENSIONS: <input type="checkbox"/> MM [INCH] <input type="checkbox"/> INCH [mm] <input checked="" type="checkbox"/> MM ONLY	CAD GENERATED DRAWING, DO NOT MANUALLY UPDATE		240058	
	UNLESS OTHERWISE SPECIFIED, GENERAL TOLERANCE: DECIMALS ANGLES .X ±0.38 [0.015] X* ±3° .X ±0.25 [0.010] .X* ±1.0° .XX ±0.13 [0.005]			
MATERIAL FINISH	CHECKED BY AND DATE JUSTIN XING 06-03-06		TITLE 103 SERIES D-SUB IDC TYPE	
	APPROVED BY AND DATE KING CHIU 06-03-06		DRAWING NO. 103-XX2X2X021	
THIRD ANGLE PROJECTION		SCALE: 1 : 1		REV A
FINISH		SIZE: A3		SHEET 1 OF 1

DO NOT SCALE DRAWING