

## plug - with screwless terminals, for harsh applications



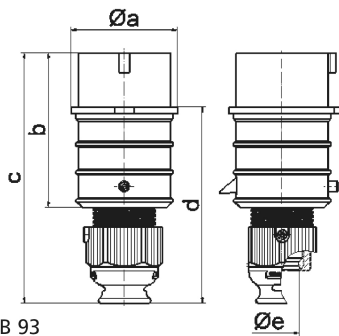
Product description	
BALS-Prd.-Nr	21843
EAN	4024941218436
product category (PG)	Quick-Connect TE-Plus plug with Multi-Grip cable gland
current (A)	16A
number of poles (P99)	3p
number of poles (P)	2P+PE
position of earth contact (H)	9 h
voltage (V)	380 up to 415V
frequency (HZ)	50 and 60Hz

Product description	
protection degree (SA)	IP44
colour code 1 (KF1)	red RAL 3000
Colour of appliance	Housing cover red, Collar red, Cable gland grey
connection design (AT)	screwless spring-clamp technology as cage clamp
maximum conductor size (LQ)	2,5 qmm
cable entry (KE)	Cable gland
Height	147mm
Width	51mm
Depth	59mm
material of enclosure (GM)	Polyamide
contact	The contact carrier is made of high temperature resistant material, the contacts are brass nickel plated

Additional technical information	
	For cable diameter from 8 up to max. 18 mm, Multi-Grip cable gland with gasket, integrated cable clamp and additional water evacuation openings

Logistics data	
Weight/pcs	0.124 kg / Piece
Packaging	Bag
Content amount	1 ST
EAN	4024941218436

Logistics data	
Length	59 mm
Width	51 mm
Height	147 mm
Weight	0.125 kg
Volume	442.323 ccm
Packaging	Carton
Content amount	10 ST
EAN	4024941963510
Length	248 mm
Width	158 mm
Height	123 mm
Weight	1.337 kg
Volume	3,960 ccm



Ampere	16	16	16	32	32	32
Polzahl	3	4	5	3	4	5
a ø	51,0	57,5	65,0	66,0	66,0	72,0
b	95,0	95,0	97,0	118,0	118,0	117,0
c	145,0	145,0	152,0	178,0	178,0	181,0
d	109,0	109,0	116,0	133,0	133,0	135,5
e ø	18,0	18,0	21,0	23,0	23,0	27,0
Leiter mm² min	1	1	1	2,5	2,5	2,5
Leiter mm² max	2,5	2,5	2,5	6	6	6