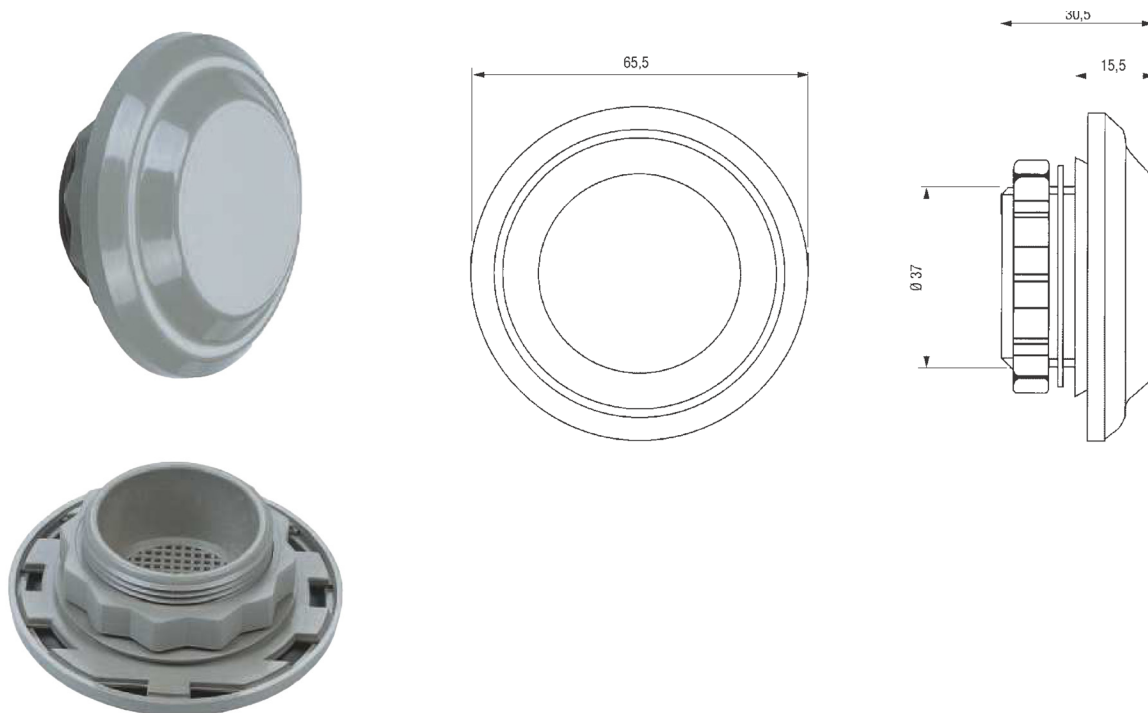


# Pressure Compensation Device DA 412



## Pressure Compensation Device DA 412

High degree and easy to install!

It has become more and more important to provide a protected enclosure environment for valuable and crucial electrical components. In a tightly closed enclosure, pressure differentials can occur during extreme temperature variations. The specially designed pressure compensation device DA 412 permits a controlled change in pressure and avoids the entering of dust and water. The pressure compensation device is suitable for the use in enclosures and housings in accordance with DIN EN 62208.

- **Mounting:** PG 29 thread with union nut
- **Torque:** 5 Nm (max. 10 Nm)
- **Material:** plastic according to UL94 V-0,
- **Sealing:** sealing gasket NBR
- **Air interface:** approx. 7 cm<sup>2</sup>
- **Fitting position:** vertical  
(Protection type is restricted to IP54 if fitting position of DA 412 is not vertical)
- **Operating temperature:** -45 bis +70 °C (-49 bis +158 °F)
- **Weight:** 63,5 g
- **Colour:** RAL 7032, (RAL 7035 without gasket)
- **Protection type:** IP55
- **Dimensions:** Ø 65,5 mm x 30,5 mm

03/12

Richter Elektrotechnik GmbH & Co.KG

Nisterberger Weg 14  
Tel.: 0 27 43-9 1066-0  
www.richter-elektrotechnik.de

57520 Friedewald  
Fax: 0 27 43-9 1066-23  
info@richter-elektrotechnik.de

**TR Richter**<sup>®</sup>  
Elektrotechnik