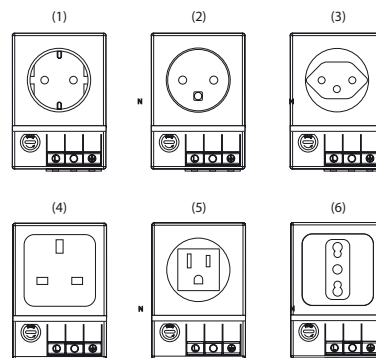
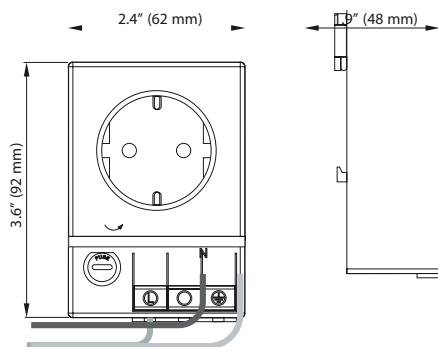


# SD 035 Enclosure Receptacle



## Technical Data

Connection	3 cageclamps for solid and stranded wire AWG 20-14 (0.5-2.5mm <sup>2</sup> )
Housing	plastic, UL94V-0, light grey
Mounting	clip for 35mm DIN rail, EN 60715
Mounting position	vertical
Operating/ Storage temperature	-49 to +158°F (-45 to 70°C)
Dimensions	3.6 x 2.4 x 1.9" (92 x 62 x 48mm)
Weight	approx. 7.1 oz. (200g)
Protection class	I (grounded)
Protection type	IP20



Part No.	Operating Voltage max.	Socket	Model	Nominal Current	Approvals
03500.0-00	250VAC	Germany/Russia (1)	with fuse*	6.3A	-
03500.0-01	250VAC	Germany/Russia (1)	without fuse	16.0A	-
03501.0-00	250VAC	France/Poland (2)	with fuse*	6.3A	-
03501.0-01	250VAC	France/Poland (2)	without fuse	16.0A	-
03502.0-00	250VAC	Switzerland (3)	with fuse*	6.3A	-
03502.0-01	250VAC	Switzerland (3)	without fuse	10.0A	-
03503.0-00	250VAC	UK/Ireland (4)	with fuse*	6.3A	-
03503.0-01	250VAC	UK/Ireland (4)	without fuse	13.0A	-
03504.0-00	125VAC	USA/Canada (5)	with fuse*	6.3A	UL File No. E222026
03504.0-01	125VAC	USA/Canada (5)	without fuse	15.0A	UL File No. E222026
03505.0-00	250VAC	Italy (6)	with fuse*	6.3A	-
03505.0-01	250VAC	Italy (6)	without fuse	16.0A	-

\* fuse Ø 5 x 20 mm

Richter Elektrotechnik GmbH & Co. KG

Nisterberger Weg 14  
Tel.: 027 43-9 1066-0  
www.richter-elektrotechnik.de

57520 Friedewald  
Fax: 027 43-9 1066-23  
info@richter-elektrotechnik.de

**Richter**  
Elektrotechnik