

Duct airflow monitors,
including mounting flange, electronic, one-step and two-step,
with active/switching output

Electronic duct air flow sensor **RHEASGARD® KLGf** with active output, in an impact-resistant plastic housing, optionally with/without display, for determining the flow velocity in m/s. The measuring transducer converts the measurement signal into a standard signal of 0 - 10 V.

Electronic duct air flow monitor **RHEASREG® KLSW** with switching output (relay one-step or two-step), in a plastic housing, for determining the flow velocity in m/s. Fine adjustment of the measuring range end value by the user is possible with the help of a potentiometer.

The flow sensors are suitable for monitoring or controlling airflows in ducts, at ventilators and dampers, for flow-dependent monitoring of humidifiers and electric heating registers according to DIN 57100, part 420, or for use in connection with DDC systems.

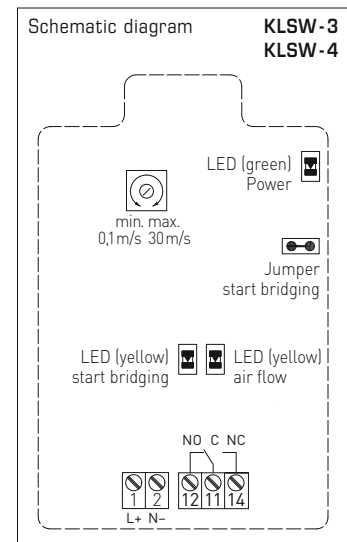
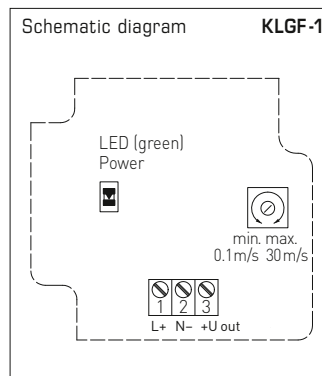
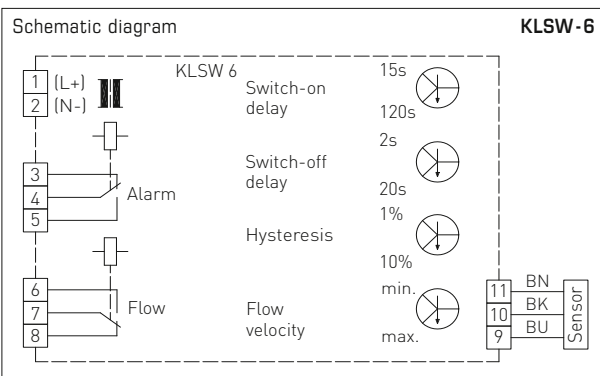
TECHNICAL DATA

Power supply:	24 V AC / DC or 230 V AC +5 / -13 %, 50...60 Hz		
Output:	1 or 2 potential-free relays (changeover contacts), 8 A, max. 2 kW or 0 - 10 V (relative, linearised on request), see table		
Current consumption:	approx. 3 VA		
	KLGF-1, KLSW-3, KLSW-4	KLSW-6	
Measuring range:	0.1...30 m/s	0.1...15 m/s	
Sensitivity:	0.1...30 m/s (adjustable)	0.1...15 m/s (adjustable)	
Switching hysteresis:	2% (permanently set)	approx. 1...10% (adjustable)	
Start bridging:	–	approx. 15...120 s (adjustable)	
Switch-off delay:	–	approx. 2...20 s (adjustable)	
Connection cable:	max. 50 m at minimum cross section 1.5 mm ² per conductor; avoid laying parallel with mains voltage-carrying lines, or use shielded cables, apply cable screen one-sided		
Ambient temperature:	0...+60 °C at the device; 0...+80 °C medium		
Medium:	pollutant-free, non-precipitating air		
Sensor:	sensor breakage protection, temperature-compensated		
Housing:	plastic, UV-stabilised, material polyamide, 30% glass-globe reinforced, colour traffic white (similar to RAL 9016) KLSW-xx, KLGf-1 with display: 108 x 70 x 73.5 mm (Thor 2) KLGf-1 without display: 72 x 64 x 37.8 mm (Tyr 1), with quick-locking screws (slotted / Phillips head combination)		
Cable connection:	cable gland , plastic (M 16 x 1.5; with strain relief, exchangeable, inner diameter 10.4 mm) or M12 connector according to DIN EN 61076-2-101 (optional on request)		
Protective tube:	metal (brass, nickel-plated), Ø 10 mm, nominal length NL = 140 mm		
Process connection:	by mounting flange (included in the scope of delivery)		
Electrical connection:	0.25 - 2.5 mm ² , via screw terminals		
Protection class:	II (according to EN 60730) at KLSW 3 (UB = 230 V AC) III (according to EN 60730) at UB = 24 V		
Protection type:	IP 65 (according to EN 60529)		
Standards:	CE conformity, EMC directive 2014 / 30 / EU, low-voltage directive 2014 / 35 / EU		

KLSW-xx



KLGF-1
with display



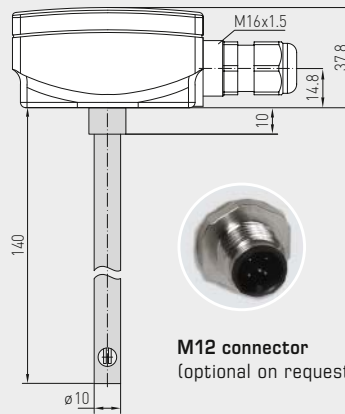
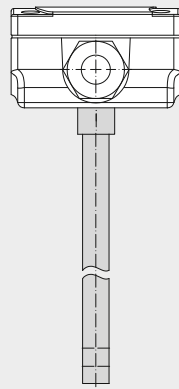
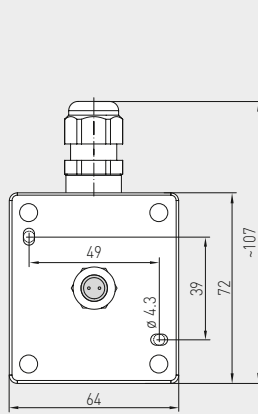


S+S REGELTECHNIK

RHEASGARD® KLGf
RHEASREG® KLSW

Duct airflow monitors,
including mounting flange, electronic, one-step and two-step,
with active/switching output

Dimensional drawing



M12 connector
(optional on request)

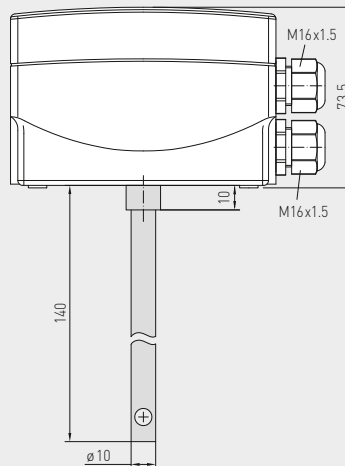
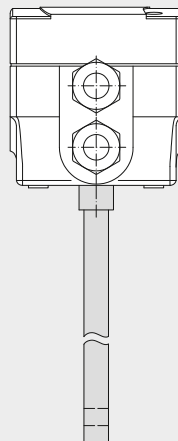
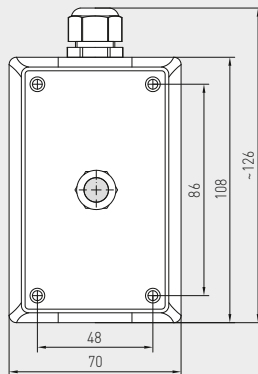


KLGf-1 without display
(compact)

KLGf-1
without display
(compact)

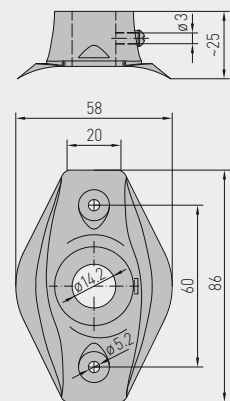


Dimensional drawing



KLSW-xx
KLGf-1 with display

Dimensional drawing



MF-14-K

RHEASGARD® KLGf Duct airflow monitors
RHEASREG® KLSW Duct airflow monitors, one-step and two-step

Type / WG01	Relay (Steps)	Power-Supply	Output	Display	Item No.	Price
KLGf						
KLGf 1	–	24 V AC / DC	0-10 V (relative)		1701-3120-1000-000	238,83 €
KLGf 1_Display	–	24 V DC	0-10 V (linearised)	■	on request	
KLSW one-step						
KLSW 3	1	230 V AC	1 x Changeover contact		1701-3011-0001-000	177,19 €
KLSW 4	1	24 V AC / DC	1 x Changeover contact		1701-3021-0000-000	177,19 €
KLSW two-step						
KLSW 6	2	24 V AC / DC	2 x Changeover contact		1701-3022-0000-000	223,42 €
Note:	KLSW 6 is supplied as standard with a manual reset button! Automatic reset (without reset button)					on request
Optional:	Cable connection with M12 connector according to DIN EN 61076-2-101					on request