

**Technical Datasheet**

**Type of product:** single-phase transformer ETKU  
**SBA-item-no.:** 162-0365

Rated supply voltage(s): [V AC] 200/220/240/360/380/400/420/440/460/480/500/530/550  
 Rated input current: [A AC] see table below  
 Rated frequency: [Hz] 50-60  
 Rated output voltage(s): [V AC] 2 x 115  
 Rated output current: [A AC] 4.35 (115 V) / 2.17 (230 V)  
 Rated output power: [VA] 500 (continuous operation)  
 Insulation class acc. to IEC 60085: B  
 Protection class: designed for protection class I  
 Protection index acc. to EN 60529: IP 00  
 Rated maximum ambient temperature: 40 °C (at rated output power)  
 Transformer: isolating transformer, control transformer  
 Vector group acc. to IEC 60076-4: Ilii0



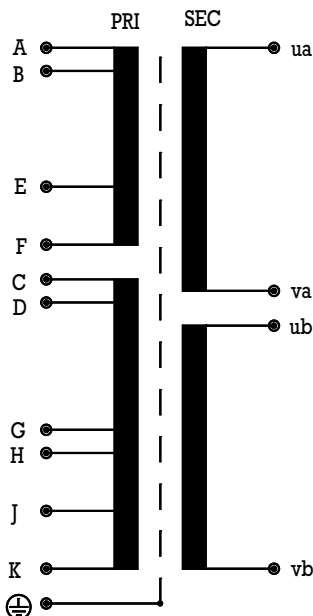
- Standards, specification: the product complies with the following standards:
- EN 61558-1:1997 (VDE 0570 part 1:1998-07, IEC 61558-1:1997 modified) Safety of power transformers, power supply units and similar – General requirements and tests
  - EN 61558-2-2:1997 (VDE 0570 part 2-2:1998-10, IEC 61558-2-2:1997) Safety of power transformers, power supply units and similar – Particular requirements for control transformers
  - EN 61558-2-4:1997 (VDE 0570 part 2-4:1998-07, IEC 61558-2-4:1997) Safety of power transformers, power supply units and similar – Particular requirements for isolating transformers for general use
- The product is marked with cUL the Recognized Component Mark for US and Canada being investigated to UL 506 and CSA 22.2 No.66 and with CE stating the conformity with the Low Voltage Directive 73/23/EWG (amended 93/68/EWG)

Short-circuit and overload protection: non-short-circuit proof, for necessary external fuse on output and input  
 see table below or product catalogue

Input, output terminals: screw-type terminals for flexible cables (1 up to 2.5 mm<sup>2</sup>) and cables for fixed wiring (0.75 up to 2.5 mm<sup>2</sup>), AWG 18-14

Over-all dimensions: L x D x H: app. 120 x 121 x 111 mm ; fixing: app. 90 x 104 mm

Wiring diagram:



ETKU		Item-No. 162-0365		500 VA		external connections	
PRI-rated voltage	PRI-rated current	circuit breaker char. C	circuit breaker char. K	input terminals	bridged terminals		
[V]	[A]	[A]	[A]	input			
200	2.73	16	10	B-H	B-C/E-H		
220	2.48	13	8	A-J	A-D/E-J		
240	2.27	13	8	B-J	B-C/F-J		
360	1.51	8	6	B-G	D-E		
380	1.43	8	6	A-G	D-E		
400	1.36	8	4	B-H	C-E		
420	1.30	8	4	B-J	D-E		
440	1.24	8	4	B-J	C-E		
460	1.18	6	4	A-J	C-E		
480	1.14	6	4	B-J	C-F		
500	1.09	6	4	A-J	C-F		
530	1.03	6	4	B-K	C-F		
550	1.00	6	4	A-K	C-F		
SEC-rated voltage	SEC-rated current	circuit breaker char. B	fuse acc. to IEC 60127	output terminals	bridged terminals		
[V]	[A]	[A]	[A]	output			
115 V	4.35	6	5	ua-vb	ua-ub/va-vb		
230 V	2.17	3	2.5	ua-vb	va-ub		