

Portable Lamps Series 6148

STAHL



- > Latest LED technology
- > Very high light intensity
- > Low weight
- > Lamp head pivoting by 190°
- > Main light continuously dimmable
- > Long battery life
- > Ergonomic one-hand operation

E2

www.stahl.de



14755E00

The portable lamps of the Series 6148 are explosion-protected electrical equipment. They are used as portable lighting equipment in hazardous areas of Zones 1, 2, 21 and 22. The lamp is charged outside the hazardous area.

Zone	ATEX / IECEx					
	0	1	2	20	21	22
For use in		x	x		x	x

WebCode 6148A

Portable Lamps

Series 6148

Selection Table

Version	Description	Order number	Weight kg
Portable lamp, explosion protected Series 6148	Portable lamp and charging unit (12 ... 30 V DC and 110 ... 240 V AC, 50 / 60 Hz) in a packaging set	6148/1111-111	1.830
	Portable lamp without charging unit	6148/1111-100	1.450
Charging unit for portable lamp Series 6148	Charging unit (12 ... 30 V DC and 110 ... 240 V AC, 50 / 60 Hz)	6148/0000-011	0.380
Note	- Scope of delivery of portable lamp contains a clear lens - Scope of delivery of charging unit contains a charging cable for 110...240 V AC		

Explosion Protection

Global (IECEx) Gas and dust	IECEx IBE 11.0009 Ex ib IIC T4 Gb Ex tb IIIC T75 °C Db
Europe (ATEX) Gas and dust	IBExU 11ATEX 1066 ⊕ II 2 G Ex ib IIC T4 Gb ⊕ II 2D Ex tb IIIC T75 °C Db
Certificates and approvals Certificates Certificate for motor vehicles	IECEx, ATEX E1 10 R - 036569

Technical data

Electrical data	
Battery	lead-fleece battery, maintenance-free, 6 V, 4.5 Ah
Service life	
Battery	> 0.5 years at 50 °C > 4 years at 25 °C
LED	> 50,000 h at 50 °C
Luminous Characteristics	
Lamps	main light, LED: 3 W secondary light, LED: 0.5 W
Light intensity	24,000 cd
CCT	6500 K
Light distribution	acc. to DIN 14642
Functions	continuous light or flashing light of the main light, continuous light of the secondary light, function of the main light continuously dimmable
Emergency light duration	main light: continuous duty: continuously on, typical 7 h flashing mode: flashing up to 18 h secondary light: continuous duty: continuously on, typical 32 h
Deep discharge protection	At a residual capacity of the battery of < 10 %, the main light is automatically switched to the secondary light.
Test function	
Lamp control	When the main light is defective, the light is switched automatically to the secondary light
Battery capacity	Determination of the current battery capacity
Mechanical data	
Degree of protection	IP66 (IEC/EN 60529)
Enclosure material	Polyamide, impact-strength
Head tilting	toward the front: 100°, toward the back: 90°
Pushbutton	main light ON - secondary light ON - main light FLASHING OFF
Charge state display	The LEDs indicate the available capacity for approx. 5 seconds
Ambient conditions	
Ambient temperature	-20 ... +50 °C
Storage temperature	-25 ... +60 °C

Portable Lamps

Series 6148


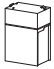


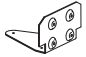
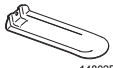

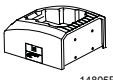
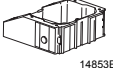


Technical data

Charging unit	charging unit 6148/0000 (for explosion-protected portable lamps)		
Version	supply voltage: 110 ... 240 V AC, 50 / 60 Hz and 12 ... 30 V DC with emergency lighting function and automatic break device for motor vehicle operation with power supply cable for 110 ... 240 V AC, 50 / 60 Hz Optionally, a charging cable for motor vehicle operation for 12 ... 30 V DC is available.		
Charging current	at room temperature:		
	charging process		stand by
	12 V DC	max. 170 mA	power consumption < 1 W
	24 V DC	max. 120 mA	
	110 V AC	max. 90 mA	
	240 V AC	max. 60 mA	
Charging time	approx. 11 h		
Function	Charging starts upon inserting the portable lamp into the charging unit - with voltage display via green LED		
Automatic break device	In motor vehicle operation, the car battery voltage is monitored. If the voltage of the car battery drops below 11.7 V and 23.5 V with a 12 V and 24 V battery, respectively, the charging process of the portable lamp will be interrupted automatically.		
Protection class	The automatic break device can be deactivated.		
Enclosure material	II (with protective insulation)		
Mounting	polyamide, impact-resistant, black		
Connection cables	wall or table mounting		
	charging cable 110 ... 240 V AC: approx. 1.8 m long, with Europlug, 2-pin		
	charging cable 12 ... 30 V DC: approx. 1.8 m long, with free ends, 2-pin		
Note	Ex operation Attention! The charging units are not suitable for use in hazardous areas! Charging units must always be mounted in NON-Ex areas!		

E2

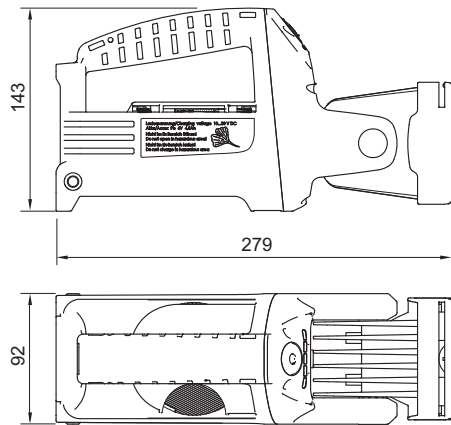
Accessories and Spare Parts

Designation	Illustration	Description	Art. no.	Weight kg
Lense	 05358E00	clear	212333	0.010
		orange	212334	0.012
		red	212956	0.012
Battery	 14808E00	lead-fleece battery, maintenance-free, 6 V, 4.5 Ah	211124	0.720
Connection cable	 10318E00	Charging cable 230 V with plug	120014	0.085
	 14808E00	Charging cable 12 / 24 V with plug	212316	0.022
Wall mounting bracket	 14803E00	for wall mounting of the charging unit	212332	0.260
Belt hook	 14802E00	for fastening the portable lamp to the belt	212331	0.000
Shoulder strap	 14856E00	for carrying the portable lamp	212702	0.050
Charging unit	 14805E00	charging unit (12 / 24 V DC and 230 V AC)	209688	0.380
Adapter for third-party charging units	 14853E00	for charging the portable lamp in the charging unit KFZ90 or LG443	212701	0.125

Portable Lamps

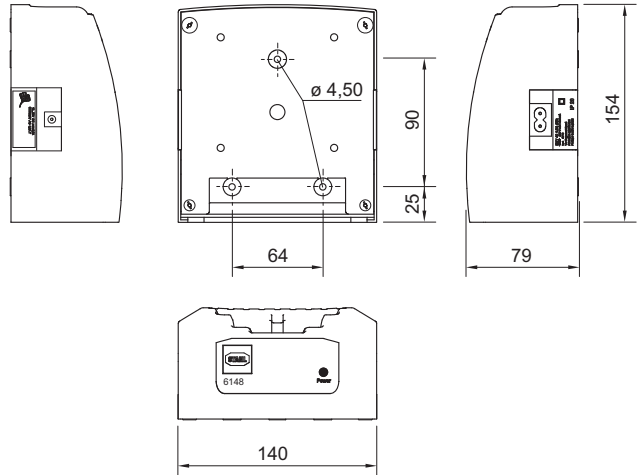
Series 6148

Dimensional Drawings (All Dimensions in mm) - Subject to Alterations



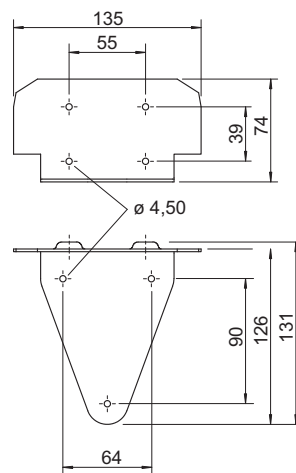
14754E00

Portable lamp



14753E00

Charging unit



14807E00

Drilling hole pattern for wall mounting bracket

We reserve the right to make alterations to the technical data, dimensions, weights, designs and products available without notice. The illustrations cannot be considered binding.