

Illuminated Pushbuttons

Series 8082/8010



www.stahl.de



- > Control and indicator function in one location
- > Switching and indicator functions work independently of each another
- > Indicating lamp with white LED
 - High luminance
 - Low heat build-up
 - Very long life
 - Maintenance-free
- > Colour filters in colours red, yellow, green, blue and clear
- > Rated operational voltage 12 (- 10 %) ... 254 (+ 6 %) V AC / DC



03130E00

E4

The illuminated pushbuttons Series 8082/8010 allow a control and monitoring function to be combined below one actuator. This is achieved by combining the contact elements 8085, an indicating lamp 8010 and an illuminated pushbutton 8602 (spring return). The required colour is achieved by colour filtering. The corresponding easy snap-in colour filters are available in the colours red, yellow, green, blue and clear.

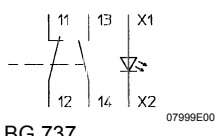
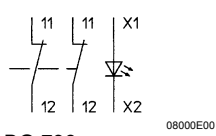
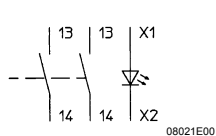
	ATEX					
Zone	0	1	2	20	21	22
For use in		x	x			

WebCode 8082C





Illuminated Pushbuttons

Series 8082/8010

Available Combinations for Illuminated Pushbuttons

 <p>BG 737</p>	<p>1 x indicating lamp 8010 1 x contact element 8082/1-1-.. (NC) 1 x contact element 8082/1-2-.. (NO)</p>
 <p>BG 738</p>	<p>1 x indicating lamp 8010 2 x contact element 8082/1-1-.. (NC)</p>
 <p>BG 739</p>	<p>1 x indicating lamp 8010 2 x contact element 8082/1-2-.. (NO)</p>

Selection Table

Version	Description	Order number	Weight kg
 <p>8010 LED indicating lamp</p>	Ex e version: LED white	8010/2-01-ws	0.035
	Ex i version: LED white	8010/3-02-ws	0.034
 <p>8082 contact element</p>	Screw terminal, 1 NC, silver/nickel	8082/1-1-00	0.025
	Screw terminal, 1 NC, gold-plated	8082/1-1-10	0.025
	Screw terminal, 1 NO, silver/nickel	8082/1-2-00	0.030
	Screw terminal, 1 NO, gold-plated	8082/1-2-10	0.025
 <p>8602 Actuator for illuminated pushbutton</p>	spring return	155454	0.053
 <p>Colour filter</p>	red, yellow, green, blue, clear	155461	0.001

Attention: Illuminated pushbuttons must not be used for EMERGENCY-STOP functions.

Illuminated Pushbuttons

Series 8082/8010



Explosion Protection

Marking

Europe (ATEX) | II 2 G Ex de IIC T6

Certificates

Europe (ATEX) | Contact element: PTB 00 ATEX 1031 U
Indicating lamp: PTB 01 ATEX 1160 U
Actuator: PTB 01 ATEX 1129 U

Technical Data

Ambient conditions

Ambient temperature | - 20 ... + 40 °C

Technical Data

Device version

	Contact element 8082
Electrical data	
Rated operational voltage	max. 550 V
Rated operational current	AC-12: max. 10 A
Mechanical data	
Enclosure material	Polyamide
Contact material	Silver-nickel / gold-plated
Connection cross-section	2.5 mm ² fine-stranded/single-wired

Technical Data

Device version

	LED indicating lamp 8010
Electrical data	
Rated operational voltage	Ex e: 12 (- 10 %) ... 254 (+ 6 %) V AC / DC Ex i: 10.8 ... 30 V
Safety-specific maximum values (Ex i)	U _i ≤ 30 V, I _i ≤ 150 mA, P _i ≤ 1 W, inductance L _i and capacity C _i negligible
Frequency range	0 ... 60 Hz
Electrical life	10 ⁵ lighting hours
Luminous characteristics	
Lamps	white LED
Colour	red, yellow, green, blue, white; via coloured lenses (not included in delivery)
Mechanical data	
Enclosure material	Polyamide

Technical Data

Device version


	Actuator for illuminated pushbutton 8602
Mechanical Data	
Degree of Protection	IP66
Material	Polyamide
Impact strength	≥ 7 J
Seals	NBR

E4

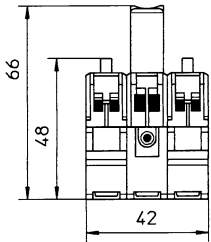
Illuminated Pushbuttons

Series 8082/8010

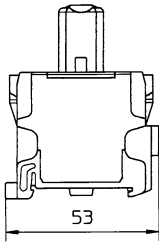
Accessories and Spare Parts

Designation	Illustration	Description	Order number	Weight kg
Additional identification plate		Label mount, size 1, without symbol label Text: 1 line	155632	0.002
		Label mount, size 2, without symbol label Text: 1 or 2 lines	155687	0.002
		Label mount, size 3, without symbol label Text: 1, 2 or 3 lines	155844	0.002
		for actuator inserts to fit standard Ø 30.5 mm holes Symbol labels: without text with text; please specify text HAND - 0 - AUTO I - 0 - II OFF - • - ON 0 - I - II 0 - I 0 - Operation - I I - II 0 - • - I		

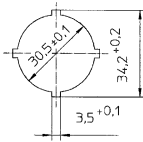
Dimensional Drawings (All Dimensions in mm) - Subject to Alterations



Illuminated pushbuttons
BG 737, BG 738, BG 739



Actuator for illuminated pushbutton



Punch diagram

Dimensions [mm]	
h	18
d1	38
d2	20

We reserve the right to make alterations to the technical data, weights, dimensions, designs and products available without notice. The illustrations cannot be considered binding.