

## Datasheet - NDP50GN



Command and signalling devices / Push buttons and pilot lights - "N" Program / NDP - latched pushbutton



(Minor differences between the printed image and the original product may exist!)

### Ordering details

Product type description	NDP50GN
Article number	101163571
EAN code	4250116200115

### Approval

Approval



### Global Properties

Product name	NDP - Schlagtaster
Standards	IEC/EN 60947-1, EN 60947-5-1
Compliance with the Directives (Y/N)	No
Suitable for safety functions (Y/N)	No
Mounting	mounting flange EFM
Materials	
- Material of the operators	ABS
- Material of the front ring	ABS, Chromium-plated
- Material of the bellows	Silicone
Design	round

Form	Round
Color	
- Colour of the operating element	<input checked="" type="checkbox"/> green
- Colour of the bellows	<input type="checkbox"/> White
- Colour of the front ring	<input type="checkbox"/> Silver
Weight	50 g
Manner of using	Push button
Can be illuminated (Y/N)	No

## Mechanical data

---

Actuating stroke	5 mm
Latching (Y/N)	No
Probing possible (Y/N)	No
mounting flange available (Y/N)	Yes
Front plate thickness	
- min. front plate thickness	1.5 mm
- max. front plate thickness	6 mm
Tightening torque for fixing screws	0,6 Nm

## Ambient conditions

---

Ambient temperature	
- Min. environmental temperature	-25 °C
- Max. environmental temperature	+80 °C
Storage and transport temperature	
- Min. Storage and transport temperature	-
- Max. Storage and transport temperature	-
Fully insulated (Y/N)	Yes
Sealing type	membrane, lip seal
Protection type IP	IP67, IP69K

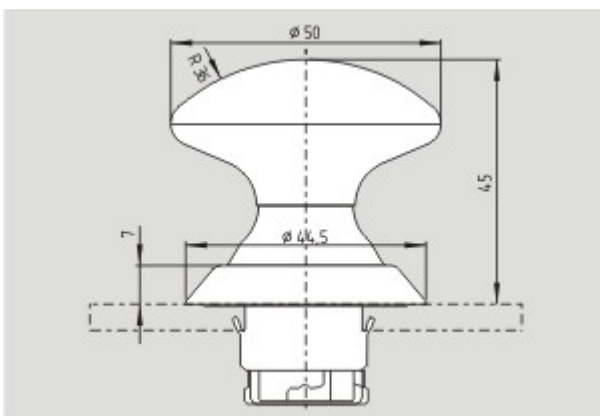
## Dimensions

---

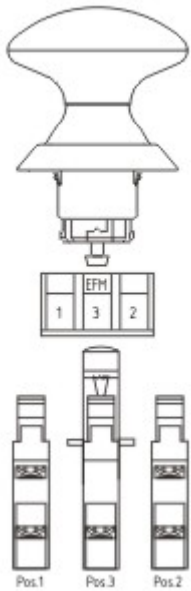
Dimensions	
- Height	45 mm
- diameters for the actuating heads	Ø 50 mm
- Hole, diameter	22.3 mm + 0,4 mm
Spacing	50 x 50 mm

## Images

---



Dimensional drawing (basic component)



Application

## System components

### Accessories



101014388 - EFM

### contact element



#### contact element EF - (N)

- Flat plug-in connector
- Mounting flange position 2
- 21-22 (Contact labelling)

K.A. Schmersal GmbH & Co. KG, Mödinghofe 30, D-42279 Wuppertal

The data and values have been checked thoroughly. Technical modifications and errors excepted.

Generiert am 29.08.2013 - 22:23:51h Kasbase 2.2.17.F DBI

Image

Image  
et=sS