

## Datasheet - AZ/AZM 200-B30-LTAG1

Solenoid interlock / AZM 200 / Actuator / AZ/AZM 200-B30



Preferred typ



- Actuator for hinged guards
- With door detection sensor T
- Easy and intuitive operation
- No risk of injury from protruding actuator
- No supplementary door handles required
- Does not protrude into the door opening
- Various handles available

(Minor differences between the printed image and the original product may exist!)

### Ordering details

Product type description	AZ/AZM 200-B30-LTAG1
Article number	101178681
EAN code	4030661312736

### Approval

Approval	 TÜV
notice	Certification in combination with the AZ/AZM 200

### Global Properties

Product name	AZ/AZM 200-B30
Materials	
- Material of the housings	Plastic, glass-fibre reinforced thermoplastic self-extinguishing
- Material of the actuator	zinc die-cast
- Material of the operators	Aluminium, plastic coating
Weight	635 g
Door detection sensor (Y/N)	Yes

### Mechanical data

Mechanical life	≥ 1.000.000 operations
Emergency unlocking device (Y/N)	No
Grip	handle

Clamping force $F_{max}$	2000 N
Actuator mounted	outside
Door hinge	left

## Dimensions

---

### Dimensions of the actuators

- Width of the actuator	115 mm
- Height of the actuator	115 mm
- Length of the actuator	60 mm

## Included in delivery

---

The safety switch / solenoid interlock and the actuator unit must be ordered separately.

## Keywords

---

Search keys	Lockout tag; SZ 200
-------------	---------------------

## Ordering code

---

AZ/AZM 200-B30-(1)TA(2)(3)-(4)

<b>(1)</b>	
<b>L</b>	Door hinge on left-hand side
<b>R</b>	Door hinge on right-hand side
<b>(2)</b>	
<b>G1</b>	with handle
<b>G2</b>	with Rotating knob
<b>(3)</b>	
<i>without</i>	without Emergency exit
<b>P1</b>	with Emergency exit
<b>P20</b>	with Emergency exit Metal film
<b>P25</b>	with Emergency exit Inset handle
<b>(4)</b>	
<b>SZ</b>	with Lockout tag (/)

## Documents

---

### Operating instructions and Declaration of conformity (nl) 646 kB, 20.02.2013

Code: mrl\_az-azm200-b30\_nl

### Operating instructions and Declaration of conformity (es) 649 kB, 26.07.2013

Code: mrl\_az-azm200-b30\_es

### Operating instructions and Declaration of conformity (da) 648 kB, 22.08.2013

Code: mrl\_az-azm200-b30\_da

### Operating instructions and Declaration of conformity (fr) 684 kB, 01.03.2012

Code: mrl\_az-azm200-b30\_fr

### Operating instructions and Declaration of conformity (jp) 729 kB, 20.02.2013

Code: mrl\_az-azm200-b30\_jp

**Operating instructions and Declaration of conformity (pl)** 655 kB, 21.11.2013

Code: mrl\_az-azm200-b30\_pl

**Operating instructions and Declaration of conformity (de)** 650 kB, 09.01.2013

Code: mrl\_az-azm200-b30\_de

**Operating instructions and Declaration of conformity (it)** 661 kB, 20.02.2013

Code: mrl\_az-azm200-b30\_it

**Operating instructions and Declaration of conformity (en)** 647 kB, 09.01.2013

Code: mrl\_az-azm200-b30\_en

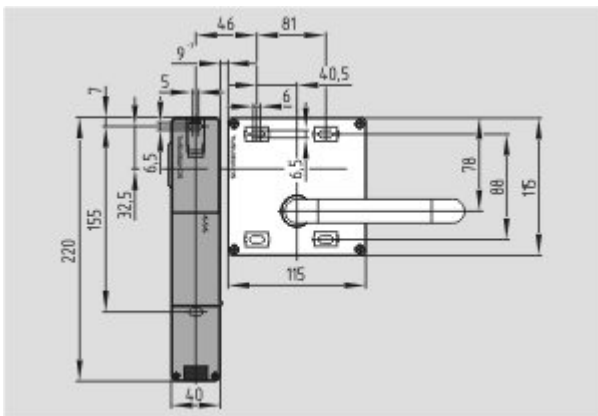
## Images

---



Product photo

---



Dimensional drawing (basic component)

---

## System components

---

### Product

#### AZ 200

- Screw connection



- thermoplastic enclosure
- Max. length of the sensor chain 200 m
- Self-monitoring series-wiring of 31 sensors
- 3 LEDs to show operating conditions
- Sensor technology permits an offset between actuator and interlock of  $\pm 5$  mm vertically and  $\pm 3$  mm horizontally
- Intelligent diagnosis



#### **AZM 200**

- Guard locking monitored
- thermoplastic enclosure
- Electronic contact-free, coded system
- Max. length of the sensor chain 200 m
- Self-monitoring series-wiring of 31 sensors
- 3 LEDs to show operating conditions
- Sensor technology permits an offset between actuator and interlock of  $\pm 5$  mm vertically and  $\pm 3$  mm horizontally
- Intelligent diagnosis
- Manual release

K.A. Schmersal GmbH & Co. KG, Mödinghofe 30, D-42279 Wuppertal

The data and values have been checked thoroughly. Technical modifications and errors excepted.

Generiert am 15.01.2014 - 16:57:44h Kasbase 2.2.18.F DBI

Image

Image  
et=sS