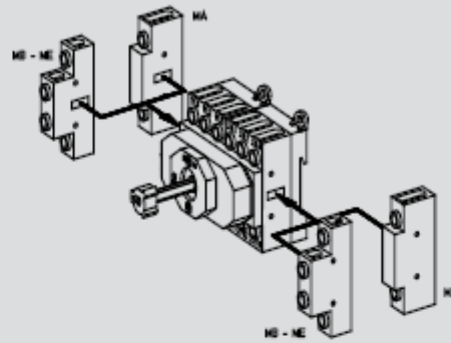


Additional modules for later attachment to switches 41300/41600/71300



Switching programme module left module right	Type	Order code no. front mounting	Order code no. base mounting
Neutral contact Module MA early make/late break			
	H216	MAH2-16A01	MAH2-16A02
	H220	MAH2-20A01	MAH2-20A02
	H226	MAH2-26A01	MAH2-26A02
	H233	MAH2-33A01	MAH2-33A02
	H263	MAH2-63A01	MAH2-63A02
	H406	MAH4-06A01	MAH4-06A02
	H408	MAH4-08A01	MAH4-08A02
	H410	MAH4-10A01	MAH4-10A02
	H412	MAH4-12A01	MAH4-12A02
Auxiliary contact Module MB 1 n/o late make/early break + 1 n/c			
	H216	MBH2-11A01	MBH2-11A02
	H220	MBH2-11A01	MBH2-11A02
	H226	MBH2-11A01	MBH2-11A02
	H233	MBH2-11A01	MBH2-11A02
	H263	MBH4-11A01	MBH4-11A02
	H406	MBH4-11A01	MBH4-11A02
	H408	MBH4-11A01	MBH4-11A02
	H410	MBH4-11A01	MBH4-11A02
	H412	MBH4-11A01	MBH4-11A02
Auxiliary contact Module MC 1 n/o late make/early break + 1 n/c			
	H216	MCH2-11A01	MCH2-11A02
	H220	MCH2-11A01	MCH2-11A02
	H226	MCH2-11A01	MCH2-11A02
	H233	MCH2-11A01	MCH2-11A02
	H263	MCH4-11A01	MCH4-11A02
	H406	MCH4-11A01	MCH4-11A02
	H408	MCH4-11A01	MCH4-11A02
	H410	MCH4-11A01	MCH4-11A02
	H412	MCH4-11A01	MCH4-11A02
Auxiliary contact Module MD 2 n/o late make/early break			
	H216	MDH2-20A01	MDH2-20A02
	H220	MDH2-20A01	MDH2-20A02
	H226	MDH2-20A01	MDH2-20A02
	H233	MDH2-20A01	MDH2-20A02
	H263	MDH4-20A01	MDH4-20A02
	H406	MDH4-20A01	MDH4-20A02
	H408	MDH4-20A01	MDH4-20A02
	H410	MDH4-20A01	MDH4-20A02
	H412	MDH4-20A01	MDH4-20A02
Auxiliary contact Module ME 2 n/o late make/early break			
	H216	MEH2-20A01	MEH2-20A02
	H220	MEH2-20A01	MEH2-20A02
	H226	MEH2-20A01	MEH2-20A02
	H233	MEH2-20A01	MEH2-20A02
	H263	MEH4-20A01	MEH4-20A02
	H406	MEH4-20A01	MEH4-20A02
	H408	MEH4-20A01	MEH4-20A02
	H410	MEH4-20A01	MEH4-20A02
	H412	MEH4-20A01	MEH4-20A02