

## Datasheet - EX-BPS 33-3G/D

Safety sensors / EX-BNS 33 / Actuator



(Minor differences between the printed image and the original product may exist!)

### Ordering details

Product type description	EX-BPS 33-3G/D
Article number	101185182
EAN code	4030661333311
eCl@ss	27-27-92-17

### Global Properties

Product name	Magnet
Materials	
- Material of the housings	Plastic
Weight	26 g

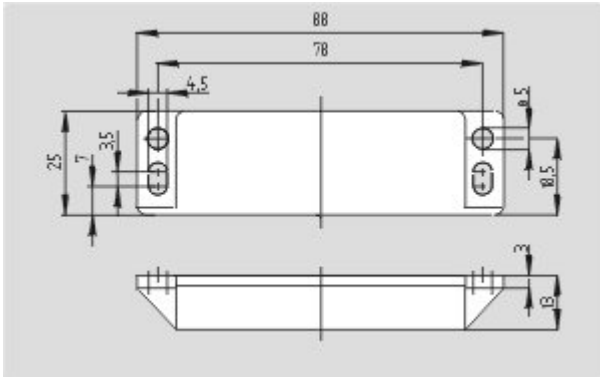
### Dimensions

Dimensions of the actuators	
- Width of the actuator	88 mm
- Height of the actuator	25 mm
- Length of the actuator	13 mm

### Included in delivery

tamperproof screws	2 piece
--------------------	---------

### Images



Dimensional drawing (miscellaneous)

---

K.A. Schmersal GmbH & Co. KG, Möddinghofe 30, D-42279 Wuppertal

The data and values have been checked thoroughly. Technical modifications and errors excepted.

Generiert am 13.04.2015 - 08:05:56h Kasbase 3.1.4.F.64I