

Datasheet - AZ 15/16-B1

Safety switch with separate actuator / AZ 16 / Actuator



Preferred typ



(Minor differences between the printed image and the original product may exist!)

Ordering details

Product type description	AZ 15/16-B1
Article number	101083036
EAN code	4030661070001

Global Properties

Product name	Gerader Betätiger B1
Weight	15 g

Mechanical data

Design of actuators	straight, rigid
Minimum actuating radius	160 mm

notice

Minimum actuating radius on hinged guards 150 mm

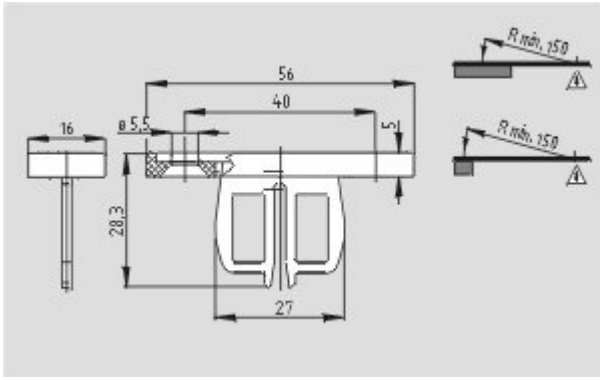
The axis of the hinge should be 5 mm above the top edge of the safety switch and in the same plane

Documents

Mounting and wiring instructions (de, en, fr, it, es, jp) 267 kB, 29.08.2006

Code: m_z15p02

Images



Dimensional drawing (actuator)

K.A. Schmersal GmbH & Co. KG, Möddinghofe 30, D-42279 Wuppertal
The data and values have been checked thoroughly. Technical modifications and errors excepted.
Generiert am 27.05.2013 - 16:29:33h Kasbase 2.2.17.F DBI

