

Datasheet - AZ 16ZVRK

Safety switch with separate actuator / AZ 16



Preferred typ



(Minor differences between the printed image and the original product may exist!)

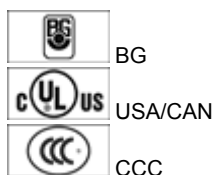
- thermoplastic enclosure
- Double-insulated
- Large wiring compartment
- 52 mm x 90 mm x 30 mm
- Multiple coding
- Long life
- High level of contact reliability with low voltages and currents
- Slotted holes for adjustment, circular holes for location
- 3 cable entries M 16 x 1.5
- LED version available

Ordering details

Product type description	AZ 16ZVRK
Article number	101152094
EAN code	4030661164700

Approval


Approval



Classification

Standards	EN ISO 13849-1
B _{10d} Opener (NC)	2.000.000
B _{10d} Normally open contact (NO)	1.000.000
- notice	at 10% I _e and ohmic load
Mission time	20 Years
notice	$MTTF_d = \frac{B_{10d}}{0,1 \times n_{op}}$ $n_{op} = \frac{d_{op} \times h_{op} \times 3600 \text{ s/h}}{t_{cycle}}$

Global Properties

Product name	AZ 16
Standards	EN 60947-5-1, BG-GS-ET-15
Compliance with the Directives (Y/N) 	Yes
Materials	
- Material of the housings	Plastic, glass-fibre reinforced thermoplastic, self-extinguishing
- Material of the contacts	Silver
Housing coating	None
Weight	115 g

Mechanical data

Design of electrical connection	Screw connection
Cable section	
- Min. Cable section	0,75 mm ²
- Max. Cable section	2.5 mm ²
Mechanical life	> 1.000.000 operations
higher Latching force (Y/N)	Yes
Latching force	30 N
With ejection force (Y/N)	No
Positive break force	10 N
positive break travel	8 mm
Actuating speed	max. 2 m/s
notice	All indications about the cable section are including the conductor ferrules.

Ambient conditions

Ambient temperature	
- Min. environmental temperature	-30 °C
- Max. environmental temperature	+80 °C
Protection class	IP67 to IEC/EN 60529

Electrical data

Design of control element	Normally open contact (NO), Opener (NC)
Switching principle	Creep circuit element
Number of auxiliary contacts	1 piece
Number of safety contacts	1 piece
Rated impulse withstand voltage U _{imp}	6 kV
Rated insulation voltage U _i	500 V
Thermal test current I _{the}	10 A
Utilisation category	AC-15: 230 V / 4 A, DC-13: 24 V / 4 A
Max. fuse rating	6 A gG D-fuse

ATEX

Explosion protection categories for gases	None
Explosion protected category for dusts	None

Dimensions

Dimensions of the sensor	
- Width of sensor	52 mm
- Height of sensor	90 mm

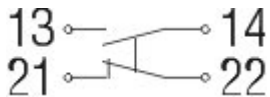
- Length of sensor

30 mm

Included in delivery

Actuators must be ordered separately.

Diagram



Note Diagram

- positive break NC contact
- active
- no active
- Normally-open contact
- Normally-closed contact

Switch travel diagram



Notes Switch travel diagram

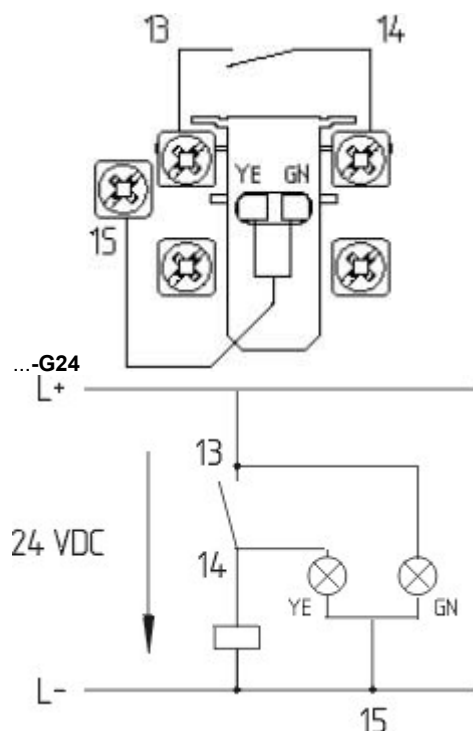
- Contact closed
- Contact open
- Setting range
- Break point
- Positive opening sequence/- angle
- VS** adjustable range of NO contact
- VÖ** adjustable range of NC contact
- N** after travel

Ordering suffix

The applicable ordering suffix is added at the end of the part number of the safety switch.
Order example: AZ 16ZVRK-**2254**

...-**2254** Latching force 5 N

...- **M20** cable entries M20



only available for version with one NO and one NC contact.
Protected against incorrect polarity and voltage spikes.

Ordering code

AZ 16-(1)ZV(2)K-(3)-(4)-(5)

(1)

without

1 Normally open contact (NO) / 1 Opener (NC)

02

2 Opener (NC)

03

3 Opener (NC)

12

Normally open contact (NO) 1 / Opener (NC) 2

(2)

without

Ejection force

R

Latching force 30 N

(3)

G24

with LED (*only available for version with one NO and one NC contact.*)

(4)

without

Cable entry M16

M20

Cable entry M20

ST

Connector M12, 4-pole, bottom

STL

Connector M12, 4-pole, left

STR

Connector M12, 4-pole, right

(5)

2254

Latching force 5 N

1762

Front mounting

1637

gold-plated contacts

Documents

Operating instructions and Declaration of conformity (br) 436 kB, 26.05.2010

Code: mrl_az15-16_br

Operating instructions and Declaration of conformity (pt) 433 kB, 25.05.2010

Code: mrl_az15-16_pt

Operating instructions and Declaration of conformity (pt) 406 kB, 21.12.2011

Code: mrl_az15-16_pt

Operating instructions and Declaration of conformity (de) 695 kB, 24.02.2011

Code: mrl_az15-16_de

Operating instructions and Declaration of conformity (fr) 442 kB, 01.07.2010

Code: mrl_az15-16_fr

Operating instructions and Declaration of conformity (jp) 479 kB, 15.03.2011

Code: mrl_az15-16_jp

Operating instructions and Declaration of conformity (cs) 400 kB, 11.10.2011

Code: mrl_az15-16_cs

Operating instructions and Declaration of conformity (es) 405 kB, 25.03.2011

Code: mrl_az15-16_es

Operating instructions and Declaration of conformity (pl) 400 kB, 05.09.2011

Code: mrl_az15-16_pl

Operating instructions and Declaration of conformity (sv) 462 kB, 25.10.2011

Code: mrl_az15-16_sv

Operating instructions and Declaration of conformity (da) 398 kB, 17.11.2011

Code: mrl_az15-16_da

Operating instructions and Declaration of conformity (en) 265 kB, 10.04.2013

Code: mrl_az15-16_en

Operating instructions and Declaration of conformity (ro) 400 kB, 18.11.2011

Code: mrl_az15-16_ro

Operating instructions and Declaration of conformity (nl) 431 kB, 14.09.2010

Code: mrl_az15-16_nl

Operating instructions and Declaration of conformity (it) 330 kB, 27.11.2009

Code: mrl_az15-16_it

Mounting and wiring instructions (de, en, fr, it, es, jp) 267 kB, 29.08.2006

Code: m_z15p02

Mounting and wiring instructions (de, en, fr, it, es, jp) 181 kB, 12.06.2007

Code: m_mazp01

BG-test certificate (en) 197 kB, 01.06.2010

Code: z_z15p02

BG-test certificate (de) 198 kB, 01.06.2010

Code: z_z15p01

CCC certification (en) 1 MB, 19.05.2011

Code: q_175p02

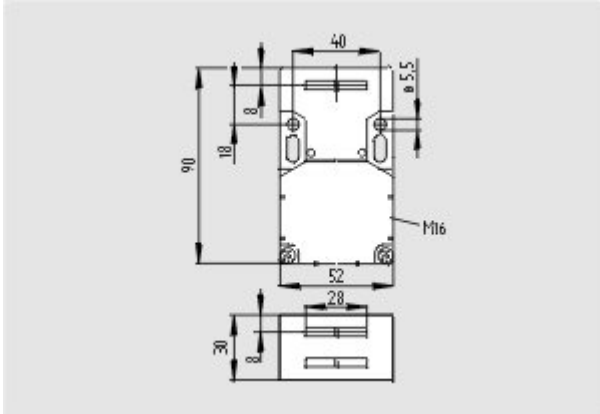
CCC certification (cn) 1 MB, 19.05.2011

Code: q_175p03

Gost certification (ru) 2 MB, 07.07.2011

Code: q_az1p01

Images



Dimensional drawing (basic component)

System components

Actuator

101083036 - AZ 15/16-B1



101092711 - AZ 15/16-B1-1747



- For play-free interlocking of light guards
 - Suitable for retrofitting
-

101093553 - AZ 15/16-B1-1747



- For play-free interlocking of light guards
 - The magnetic latch can be easily fitted in any actuating plane
 - Suitable for retrofitting
-

101108276 - AZ 15/16-B1-2024



101108278 - AZ 15/16-B1-2024 WITH SLOT SEALING PLUG



- For protection against the ingress of course dirt



101111079 - AZ 15/16-B1-2053

- For interlocking of light to medium-weight guards



101111081 - AZ 15/16-B1-2053 WITH BALL LATCH

- For interlocking of light to medium-weight guards



101126793 - AZ 15/16-B1-2177

- For interlocking of light, unguided guards



101126794 - AZ 15/16-B1-2177 WITH CENTERING GUIDE

- For interlocking of light, unguided guards



101137408 - AZ 15/16-B1-2245

- Damps vibration on guard device



101095558 - AZ 15/16-B2

- For very small actuating radii in line with the plane of the actuator



101096091 - AZ 15/16-B2-1747

- For very small actuating radii in line with the plane of the actuator
- Suitable for retrofitting
- For play-free interlocking of light guards



101096089 - AZ 15/16-B2-1747 WITH MAGNETIC LATCH

- For very small actuating radii in line with the plane of the actuator
- Suitable for retrofitting
- For play-free interlocking of light guards
- The magnetic latch can be easily fitted in any actuating plane



101095550 - AZ 15/16-B3

- For very small actuating radii at 90° to the plane of the actuator



101096090 - AZ 15/16-B3-1747 WITH MAGNETIC LATCH

- For very small actuating radii at 90° to the plane of the actuator
- Suitable for retrofitting
- For play-free interlocking of light guards
- The magnetic latch can be easily fitted in any actuating plane



101096092 - AZ 15/16-B3-1747

- For very small actuating radii at 90° to the plane of the actuator
- Suitable for retrofitting
- For play-free interlocking of light guards



101137434 - AZ 15/16-B6

- For very small actuating radii in line with or at 90° to the plane of the actuator

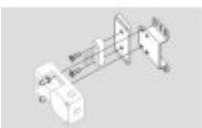
Door-handle system



AZ 16-STS30

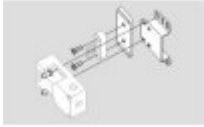
- Latching handle
- Suitable for all types of guard

Accessories



101149214 - Mounting set MS AZ 15/16 R/P

101150373 - Mounting set MS AZ 15/16 P



101089116 - Slot sealing plugs AZ 15/16-1476

- For protection against the ingress of course dirt
- To cover unused actuator slots
- Simple clip-in fitting



101115025 - Ball latch 2053-2

- Additional ball latch for stable latching of light to medium-weight guards
- For separate mounting on the guard



1110500 - SZ 16/335

- To prevent inadvertent closing, e.g. during maintenance
- For complex plant
- Prevents actuation of the switch
- Up to 6 padlocks can be fitted
- The lockout tag can be mounted on a chain near to the safety switch

**Mounting accessories**

**1135338 - TAMPERPROOF SCREWS
M 5 x 12**

- To mount the actuator
- Higher protection against tampering with interlock
- Protects against unauthorised removal of actuator
- Various lengths available



101135339 - TAMPERPROOF SCREWS M 5 x 16

- To mount the actuator
- Higher protection against tampering with interlock
- Protects against unauthorised removal of actuator
- Various lengths available



101135340 - TAMPERPROOF SCREWS M 5 x 20

- To mount the actuator
- Higher protection against tampering with interlock
- Protects against unauthorised removal of actuator
- Various lengths available

Image
et=sS
e