

## Datasheet - AZ/AZM300-B1

Solenoid interlock / AZM300 / Actuator AZM300



- 3 different directions of actuation



(Minor differences between the printed image and the original product may exist!)

### Ordering details

Product type description	AZ/AZM300-B1
Article number	101218025
EAN code	

### Global Properties

Product name	Betätiger AZ/AZM300-B1
Weight	

### Mechanical data

Design of actuators	straight
---------------------	----------

### Dimensions

Dimensions of the actuators	
- Width of the actuator	40 mm
- Height of the actuator	98 mm
- Length of the actuator	19 mm

### Included in delivery

The safety switch / solenoid interlock and the actuator unit must be ordered separately.

### Documents

**Operating instructions and Declaration of conformity** (en) 106 kB, 05.12.2012

Code: mrl\_az-azm300-b1\_en

**Operating instructions and Declaration of conformity (de)** 104 kB, 05.12.2012

Code: mrl\_az-azm300-b1\_de

**Operating instructions and Declaration of conformity (fr)** 106 kB, 24.01.2013

Code: mrl\_az-azm300-b1\_fr

**Operating instructions and Declaration of conformity (pt)** 105 kB, 09.04.2013

Code: mrl\_az-azm300-b1\_pt

**Operating instructions and Declaration of conformity (es)** 106 kB, 15.01.2013

Code: mrl\_az-azm300-b1\_es

**Operating instructions and Declaration of conformity (br)** 109 kB, 16.01.2014

Code: mrl\_az-azm300-b1\_br

**Operating instructions and Declaration of conformity (pl)** 111 kB, 28.08.2013

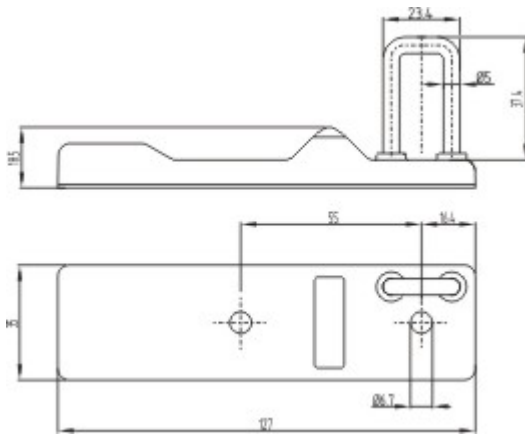
Code: mrl\_az-azn300-b1\_pl

**Operating instructions and Declaration of conformity (it)** 102 kB, 10.01.2013

Code: mrl\_az-azm300-b1\_it

## Images

---



Dimensional drawing (actuator)

---

K.A. Schmersal GmbH & Co. KG, Möddinghofe 30, D-42279 Wuppertal

The data and values have been checked thoroughly. Technical modifications and errors excepted.

Generiert am 12.03.2014 - 15:05:59h Kasbase 2.2.18.F DBI

Image

Image  
et=sS