

Datasheet - BPS 36-1

Safety sensors / BNS 36 / Actuator

 Preferred typ

- Actuator and sensor on a mounting level



(Minor differences between the printed image and the original product may exist!)

Ordering details

Product type description	BPS 36-1
Article number	101190052
EAN code	4030661359649
eCl@ss	27-27-92-17

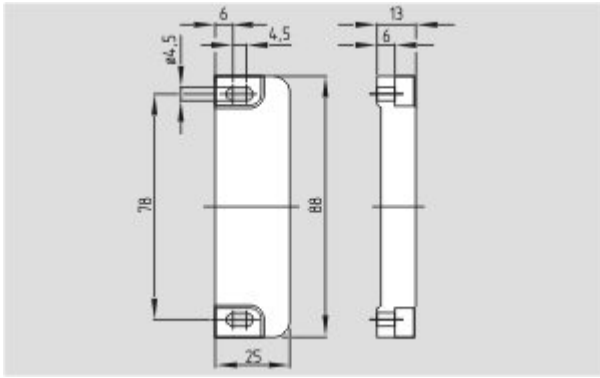
Global Properties

Product name	Magnet
Materials	
- Material of the housings	Plastic
Weight	22.5 g
Actuator and sensor on a mounting level (Y/N)	Yes
notice	Actuator and sensor on a mounting level

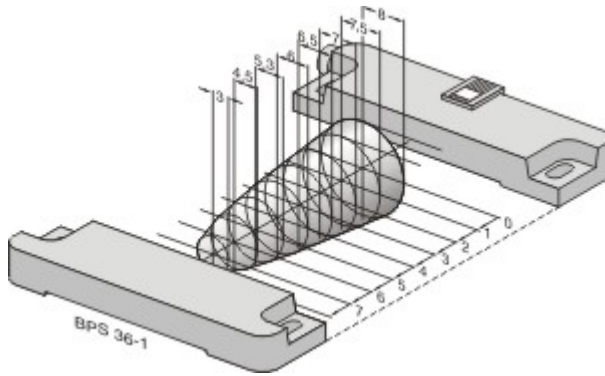
Dimensions

Dimensions of the actuators	
- Width of the actuator	88 mm
- Height of the actuator	25 mm
- Length of the actuator	7 mm

Images



Dimensional drawing (actuator)



Characteristic curve

K.A. Schmersal GmbH & Co. KG, Mödinghofe 30, D-42279 Wuppertal
The data and values have been checked thoroughly. Technical modifications and errors excepted.
Generiert am 12.02.2015 - 13:14:56h Kasbase 3.1.5.F.64I