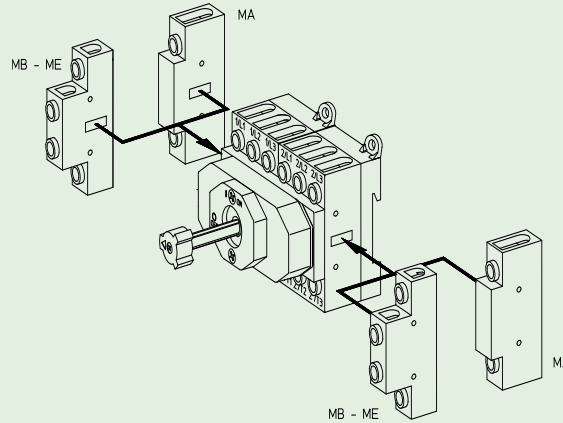


### Additional modules for later attachment to switches 41300/41600/71300



Switching programme		Type	Order code no.	
module left	module right		front mounting	base mounting
<b>Neutral contact module MA</b> early make/late break		H216	MAH2-16A01	MAH2-16A02
		H220	MAH2-20A01	MAH2-20A02
		H226	MAH2-26A01	MAH2-26A02
		H233	MAH2-33A01	MAH2-33A02
		B240	MAB2-40A01	MAB2-40A02
		B250	MAB2-50A01	MAB2-50A02
		B263	MAB2-63A01	MAB2-63A02
		H406	MAH4-06A01	MAH4-06A02
		H408	MAH4-08A01	MAH4-08A02
		H410	MAH4-10A01	MAH4-10A02
		H412	MAH4-12A01	MAH4-12A02
<b>N-terminal MF</b>		H216	MFH2-00A01	MFH2-00A02
		H220	MFH2-00A01	MFH2-00A02
		H226	MFH2-00A01	MFH2-00A02
		H233	MFH2-00A01	MFH2-00A02
		B240	MFB2-00A01	MFB2-00A02
		B250	MFB2-00A01	MFB2-00A02
		B263	MFB2-00A01	MFB2-00A02
		H406	MFH4-00A01	MFH4-00A02
		H408	MFH4-00A01	MFH4-00A02
		H410	MFH4-00A01	MFH4-00A02
		H412	MFH4-00A01	MFH4-00A02
<b>PE-terminal MG</b>		H216	MGH2-00A01	MGH2-00A02
		H220	MGH2-00A01	MGH2-00A02
		H226	MGH2-00A01	MGH2-00A02
		H233	MGH2-00A01	MGH2-00A02
		B240	MGB2-00A01	MGB2-00A02
		B250	MGB2-00A01	MGB2-00A02
		B263	MGB2-00A01	MGB2-00A02
		H406	MGH4-00A01	MGH4-00A02
		H408	MGH4-00A01	MGH4-00A02
		H410	MGH4-00A01	MGH4-00A02
		H412	MGH4-00A01	MGH4-00A02
<b>Main contact module MO</b>		H216	MOH2-16A01	MOH2-16A02
		H220	MOH2-20A01	MOH2-20A02
		H226	MOH2-26A01	MOH2-26A02
		H233	MOH2-33A01	MOH2-33A02
		B240	MOB2-40A01	MOB2-40A02
		B250	MOB2-50A01	MOB2-50A02
		B263	MOB2-63A01	MOB2-63A02
		H406	MOH4-06A01	MOH4-06A02
		H408	MOH4-08A01	MOH4-08A02
		H410	MOH4-10A01	MOH4-10A02
		H412	MOH4-12A01	MOH4-12A02