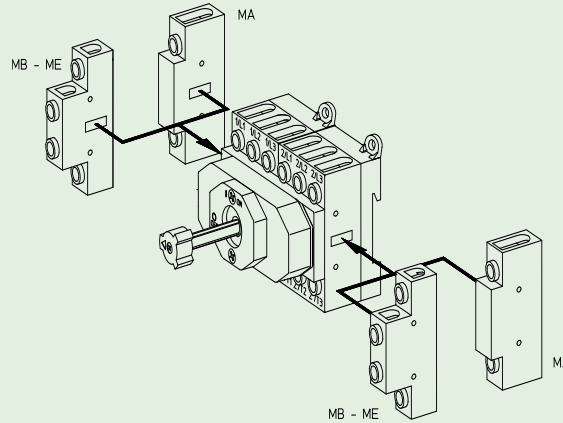


**Additional modules for later attachment to switches 41300/41600/71300**



Switching programme		Type	Order code no.	
module left	module right		front mounting	base mounting
<b>Neutral contact module MA</b> early make/late break				
		H216 H220 H226 H233 B240 B250 B263 H406 H408 H410 H412	MAH2-16A01 MAH2-20A01 MAH2-26A01 MAH2-33A01 MAB2-40A01 MAB2-50A01 MAB2-63A01 MAH4-06A01 MAH4-08A01 MAH4-10A01 MAH4-12A01	MAH2-16A02 MAH2-20A02 MAH2-26A02 MAH2-33A02 MAB2-40A02 MAB2-50A02 MAB2-63A02 MAH4-06A02 MAH4-08A02 MAH4-10A02 MAH4-12A02
<b>N-terminal MF</b>				
		H216 H220 H226 H233 B240 B250 B263 H406 H408 H410 H412	MFH2-00A01 MFH2-00A01 MFH2-00A01 MFH2-00A01 MFB2-00A01 MFB2-00A01 MFB2-00A01 MFH4-00A01 MFH4-00A01 MFH4-00A01 MFH4-00A01	MFH2-00A02 MFH2-00A02 MFH2-00A02 MFH2-00A02 MFB2-00A02 MFB2-00A02 MFB2-00A02 MFH4-00A02 MFH4-00A02 MFH4-00A02 MFH4-00A02
<b>PE-terminal MG</b>				
		H216 H220 H226 H233 B240 B250 B263 H406 H408 H410 H412	MGH2-00A01 MGH2-00A01 MGH2-00A01 MGH2-00A01 MGB2-00A01 MGB2-00A01 MGB2-00A01 MGH4-00A01 MGH4-00A01 MGH4-00A01 MGH4-00A01	MGH2-00A02 MGH2-00A02 MGH2-00A02 MGH2-00A02 MGB2-00A02 MGB2-00A02 MGB2-00A02 MGH4-00A02 MGH4-00A02 MGH4-00A02 MGH4-00A02
<b>Main contact module MO</b>				
		H216 H220 H226 H233 B240 B250 B263 H406 H408 H410 H412	MOH2-16A01 MOH2-20A01 MOH2-26A01 MOH2-33A01 MOB2-40A01 MOB2-50A01 MOB2-63A01 MOH4-06A01 MOH4-08A01 MOH4-10A01 MOH4-12A01	MOH2-16A02 MOH2-20A02 MOH2-26A02 MOH2-33A02 MOB2-40A02 MOB2-50A02 MOB2-63A02 MOH4-06A02 MOH4-08A02 MOH4-10A02 MOH4-12A02