

## Datasheet - NDRZ50RT

Command and signalling devices / Push buttons and pilot lights - "N" Program / NDR -  
Emergency stop / Mushroom button



- Emergency stop latching pushbutton
- with latching

(Minor differences between the printed image and the original product may exist!)

### Ordering details

Product type description	NDRZ50RT
Article number	101177168
EAN code	
eCl@ss	27-37-12-12

### Approval

Approval



### Global Properties

Product name	NDR Emergency stop Mushroom button
Standards	IEC/EN 60947-1, EN 60947-5-1
Compliance with the Directives (Y/N)	Yes
Suitable for safety functions (Y/N)	Yes
Mounting	mounting flange EFM
Materials	
- Material of the operators	ABS
- Material of the front ring	ABS, Chromium-plated
- Material of the bellows	Silicone

Design	Emergency stop latching pushbutton - Front plate mounting
Form	Round
Color	
- Colour of the operating element	<input checked="" type="checkbox"/> red
- Colour of the bellows	<input type="checkbox"/> White
- Colour of the front ring	<input type="checkbox"/> Silver
Weight	50 g
Manner of using	
Can be illuminated (Y/N)	No
Emergency-Stop button (Y/N)	Yes

## Mechanical data

---

Mechanical life	100.000 operations
restistance to shock	30 g / 18 ms
Latching (Y/N)	Yes
Unlocking type	Draw unlocking
Probing possible (Y/N)	No
mounting flange available (Y/N)	Yes
Snap mechanism integrated in device head (Y/N)	Yes
External snap mechanism (Y/N)	No
Front plate thickness	
- min. front plate thickness	1.5 mm
- max. front plate thickness	6 mm
Tightening torque for fixing screws	0,6 Nm

## Ambient conditions

---

Ambient temperature	
- Min. environmental temperature	-25 °C
- Max. environmental temperature	+80 °C
Storage and transport temperature	
- Min. Storage and transport temperature	-
- Max. Storage and transport temperature	-
Fully insulated (Y/N)	Yes
Sealing type	membrane, lip seal
Protection type IP	IP67, IP69K

## Dimensions

---

Dimensions	
- Height	45 mm
- diameters for the actuating heads	Ø 50 mm
- Hole, diameter	22.3 mm + 0,4 mm
Spacing	50 x 50 mm

## Documents

---

**Operating instructions and Declaration of conformity (en)** 2 MB, 17.05.2017

Code: mrl\_programme-e-n-r\_en

**Operating instructions and Declaration of conformity (pl)** 2 MB, 31.10.2016

Code: mrl\_programme-e-n-r\_pl

**Operating instructions and Declaration of conformity** (pt) 2 MB, 11.04.2017

Code: mrl\_programme-e-n-r\_pt

**Operating instructions and Declaration of conformity** (de) 2 MB, 17.05.2017

Code: mrl\_programme-e-n-r\_de

**Operating instructions and Declaration of conformity** (fr) 2 MB, 02.11.2016

Code: mrl\_programme-e-n-r\_fr

**BG-test certificate** (de, en, fr) 174 kB, 31.07.2014

Code: z\_ndrp01

**IPA Data** (en) 248 kB, 09.11.2012

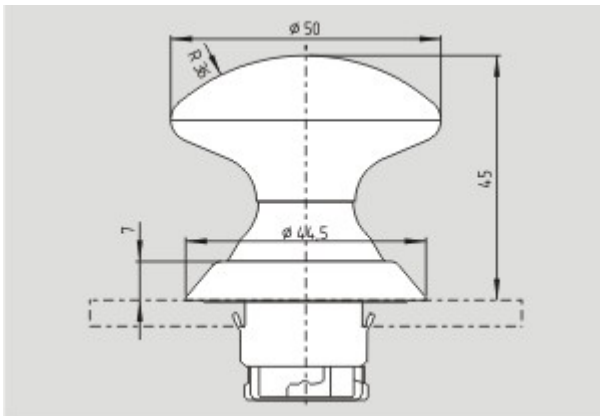
Code: i\_ipap02

**IPA Data** (de) 255 kB, 05.09.2014

Code: i\_ipap01

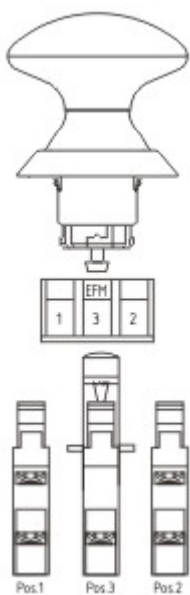
## Images

---



Dimensional drawing (basic component)

---



Application

---

## System components

---

## Accessories



**101014388 - EFM**

---

## contact element



**101023938 - EF220.3**

- Screw connection
- Mounting flange position 3
- 51-52; 61-62 (Contact labelling)
- Suitable for EMERGENCY-OFF



**101024262 - EF220.2**

- Screw connection
- Mounting flange position 2
- 31-32; 41-42 (Contact labelling)
- Suitable for EMERGENCY-OFF



**101023927 - EF220.1**

- Screw connection
- Mounting flange position 1
- 11-12; 21-22 (Contact labelling)
- Suitable for EMERGENCY-OFF



**101022139 - EF303.3**

- Screw connection
- Mounting flange position 3
- 51-52; 63-64 (Contact labelling)
- Suitable for EMERGENCY-OFF



**101022138 - EF303.2**

- Screw connection
- Mounting flange position 2
- 31-32; 43-44 (Contact labelling)
- Suitable for EMERGENCY-OFF



**101022137 - EF303.1**

- Screw connection
- Mounting flange position 1
- 11-12; 23-24 (Contact labelling)
- Suitable for EMERGENCY-OFF

---

**101026059 - EFK30.3**

- Cage clamps



- Mounting flange position 3
- 31-32 (Contact labelling)
- Suitable for EMERGENCY-OFF



---

**101026058 - EFK30.2**

- Cage clamps
- Mounting flange position 2
- 21-22 (Contact labelling)
- Suitable for EMERGENCY-OFF



---

**101026057 - EFK30.1**

- Cage clamps
- Mounting flange position 1
- 11-12 (Contact labelling)
- Suitable for EMERGENCY-OFF

---

K.A. Schmersal GmbH & Co. KG, Möddinghofe 30, D-42279 Wuppertal

The data and values have been checked thoroughly. Technical modifications and errors excepted.

Generiert am 22.05.2017 - 17:51:07h Kasbase 3.2.6.F.64I