



Main

Range of product	Harmony Relay
Product or component type	Solid state relay
Device short name	SSP1
Mounting support	Panel
Network number of phases	1 phase
Contacts type and composition	1 NO
[In] rated current	12 A
Solid state output type	DC switching Mosfet output

Complementary

[Uc] control circuit voltage	3.5...32 V DC
Minimum switching voltage	3.5 V DC turn-on
Maximum switching voltage	1 V DC turn-off
Response time	0.1 ms (turn-on) 0.1 ms (turn-off)
Input current limits	10...15 mA
Output voltage	1...150 V DC
Load current	0.001...12 A
Surge current	31 A for 10 ms
Protection device type	Type 1 - 10 A miniature circuit breaker (MCB) - curve B Type 2 - 6 A miniature circuit breaker (MCB) - curve B
Maximum leakage current	0.3 mA off-state
Maximum voltage drop	<2.8 V on-state
Insulation resistance	1000 MOhm at 500 V DC
Capacitance unbalance	50 PF for input/output
Dielectric strength	2.5 KV AC for input/output 2.5 KV AC for input or output to case
[Uimp] rated impulse withstand voltage	2.5 KV output to case
Tightening torque	1.5...1.7 N.m for input 2...2.2 N.m for output
Connections - terminals	Screw terminals: 0.2...3.3 mm ² , (AWG 24...AWG 12) with cable end for input Screw terminals: 0.5...5.26 mm ² , (AWG 20...AWG 10) with cable end for output Screw terminals: 0.2...3.3 mm ² , (AWG 24...AWG 12) without cable end for input Screw terminals: 0.5...8.26 mm ² , (AWG 20...AWG 8) without cable end for output Forked type tag connectors: 9.2 x 4 mm for input Ring lugs: 9.2 x 4 mm for input Forked type tag connectors: 11.7 x 4.5 mm for output Ring lugs: 11.7 x 4.5 mm for output
Thermal resistance	0.71 °C/W junction to case
Local signalling	LED, green for input

IP degree of protection	IP20
Safety reliability data	B10d = 1731395 MTTFd = 1875.9 years
Net weight	89.2 G
Device presentation	Complete product

Environment

Ambient air temperature for operation	-40...80 °C
Ambient air temperature for storage	-40...125 °C
Pollution degree	2
Overvoltage category	III
Product certifications	CE RoHS REACH UL CSA EAC
Marking	CSA UL CE EAC
Standards	EN/IEC 62314 UL 508 CSA C22.2 No 14-13 EN/IEC 60950-1

Packing Units

Package 1 Weight	0.096 Kg
Package 1 Height	0.380 Dm
Package 1 width	0.480 Dm
Package 1 Length	0.650 Dm

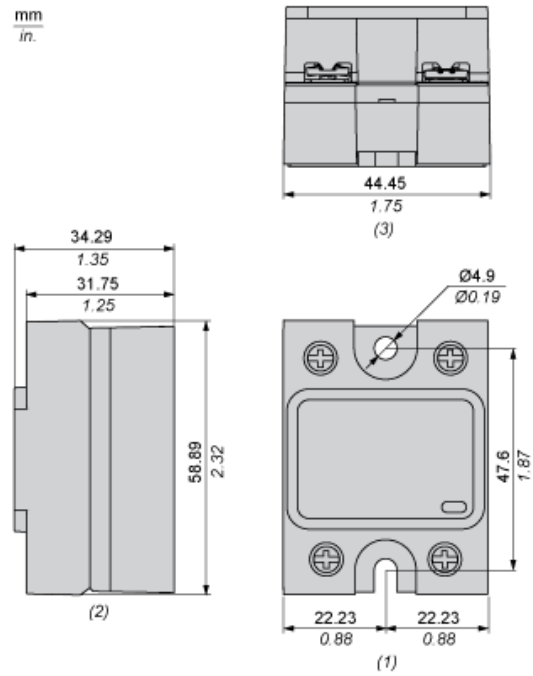
Offer Sustainability

EU RoHS Directive	Pro-active compliance (Product out of EU RoHS legal scope) EU RoHS Declaration
Mercury free	Yes
RoHS exemption information	Yes
China RoHS Regulation	China RoHS Declaration
Environmental Disclosure	Product Environmental Profile
Circularity Profile	End Of Life Information

Contractual warranty

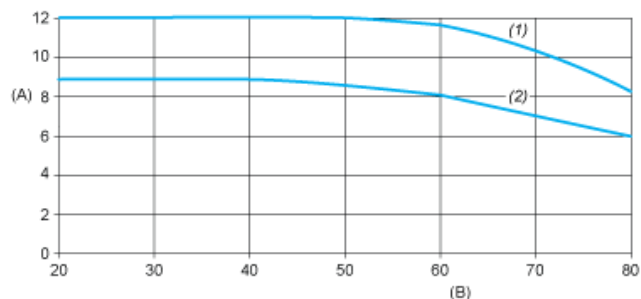
Warranty	18 months
----------	-----------

Dimensions



- (1) Front view
- (2) Side view
- (3) Bottom view

Derating Curves



- A : Load Current (Arms)
- B : Ambient Temperature (°C)
- (1) For Heatsink SSRHP25
- (2) No Heatsink

Product Life Status : Commercialised