

Product datasheet

Specifications



Modular 3-phase supply control relay, 5 A, 2 CO, 208...440 V AC

Local distributor code: 389834793 RM17TG20

EAN Code : 3389119405072

Main

| | |
|-------------------------------|---|
| Range of product | Harmony Control Relays |
| Product or component type | 3-phase control relay |
| Relay type | Control relay |
| Product specific application | For 3-phase supply |
| Relay name | RM17TG |
| Relay monitored parameters | Phase sequence Phase failure detection (2 or more phase cut) |
| Time delay | Without |
| Switching capacity in VA | 1250 VA |
| Measurement range | 208...440 V voltage AC |
| Contacts type and composition | 2 C/O |
| [Uc] control circuit voltage | 208...440 V |

Complementary

| | |
|--------------------------------|-------------------------------------|
| Maximum switching voltage | 250 V AC 250 V DC |
| Minimum switching current | 10 mA at 5 V DC |
| Supply voltage limits | 183...484 V AC |
| Control circuit voltage limits | - 12 % + 10 % Un |
| Power consumption in VA | 0...22 VA at 400 V AC 50 Hz |
| Voltage detection threshold | < 100 V AC |
| Control circuit frequency | 50...60 Hz +/- 10 % |
| Output contacts | 2 C/O |
| Nominal output current | 5 A |
| Measurement voltage limits | 183...484 V AC |
| Delay at power up | 650 ms |
| Voltage range | 183...484 V |
| Response time | <= 130 ms (in the event of a fault) |
| Marking | CE |
| Overvoltage category | III conforming to IEC 60664-1 |

| | |
|--------------------------------------|--|
| Insulation resistance | > 500 MOhm at 500 V DC conforming to IEC 60255-5 > 500 MOhm at 500 V DC conforming to IEC 60664-1 |
| [Ui] rated insulation voltage | 400 V conforming to IEC 60664-1 |
| Supply frequency | 50/60 Hz +/- 10 % |
| Operating position | Any position without derating |
| Connections - terminals | Screw terminals, 1 x 0.5...1 x 4 mm ² (AWG 20...AWG 11) solid without cable end Screw terminals, 2 x 0.5...2 x 2.5 mm ² (AWG 20...AWG 14) solid without cable end Screw terminals, 1 x 0.2...1 x 2.5 mm ² (AWG 24...AWG 12) flexible with cable end Screw terminals, 2 x 0.2...2 x 1.5 mm ² (AWG 24...AWG 16) flexible with cable end |
| Tightening torque | 0.6...1 N.m conforming to IEC 60947-1 |
| Housing material | Self-extinguishing plastic |
| Local signalling | LED (yellow) for relay ON |
| Mounting support | 35 mm symmetrical DIN rail conforming to EN/IEC 60715 |
| Electrical durability | 10000 cycles |
| Mechanical durability | 30000000 cycles |
| Operating rate | <= 360 operations/hour full load |
| Utilisation category | AC-12 conforming to IEC 60947-5-1 AC-13 conforming to IEC 60947-5-1 AC-14 conforming to IEC 60947-5-1 AC-15 conforming to IEC 60947-5-1 DC-12 conforming to IEC 60947-5-1 DC-13 conforming to IEC 60947-5-1 |
| Safety reliability data | B10d = 850000 MTTFd = 924.6 years |
| Width | 17.5 mm |
| Net weight | 0.13 kg |

Environment

| | |
|--|---|
| Electromagnetic compatibility | Emission standard for industrial environments conforming to EN/IEC 61000-6-4 Emission standard for residential, commercial and light-industrial environments conforming to EN/IEC 61000-6-3 Immunity for industrial environments conforming to EN/IEC 61000-6-2 |
| Standards | EN/IEC 60255-1 |
| Product certifications | GOST C-Tick UL CSA GL |
| Directives | 73/23/EEC - low voltage directive 89/336/EEC - electromagnetic compatibility |
| Ambient air temperature for storage | -40...70 °C |
| Ambient air temperature for operation | -20...50 °C |
| Relative humidity | 95 % at 55 °C conforming to IEC 60068-2-30 |
| Vibration resistance | 0.35 mm (f= 5...57.6 Hz) conforming to IEC 60068-2-6 1 gn (f= 57.6...150 Hz) conforming to IEC 60255-21-1 |
| Shock resistance | 15 gn for 11 ms conforming to IEC 60255-21-1 |
| IP degree of protection | IP20 (terminals) conforming to IEC 60529 IP30 (casing) conforming to IEC 60529 |
| Pollution degree | 3 conforming to IEC 60664-1 |
| Dielectric test voltage | 2 kV, 1 min AC 50 Hz |
| Non-dissipating shock wave | 4 kV |

Packing Units

| | |
|------------------------------|-----------|
| Unit Type of Package 1 | PCE |
| Number of Units in Package 1 | 1 |
| Package 1 Height | 2.7 cm |
| Package 1 Width | 7.8 cm |
| Package 1 Length | 9.7 cm |
| Package 1 Weight | 98.0 g |
| Unit Type of Package 2 | S02 |
| Number of Units in Package 2 | 48 |
| Package 2 Height | 15.0 cm |
| Package 2 Width | 30.0 cm |
| Package 2 Length | 40.0 cm |
| Package 2 Weight | 5.15 kg |
| Unit Type of Package 3 | P06 |
| Number of Units in Package 3 | 768 |
| Package 3 Height | 77.0 cm |
| Package 3 Width | 80.0 cm |
| Package 3 Length | 60.0 cm |
| Package 3 Weight | 87.204 kg |

Offer Sustainability

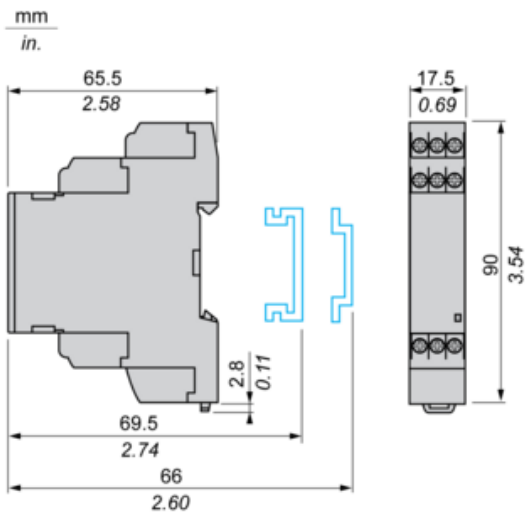
| | |
|----------------------------|---|
| Sustainable offer status | Green Premium product |
| REACH Regulation | REACH Declaration |
| EU RoHS Directive | Pro-active compliance (Product out of EU RoHS legal scope) EU RoHS Declaration |
| Mercury free | Yes |
| RoHS exemption information | Yes |
| China RoHS Regulation | China RoHS declaration |
| Environmental Disclosure | Product Environmental Profile |
| Circularity Profile | End of Life Information |

Contractual warranty

| | |
|----------|-----------|
| Warranty | 18 months |
|----------|-----------|

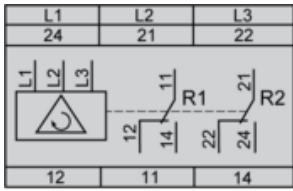
3-Phase Supply Control Relays

Dimensions and Mounting



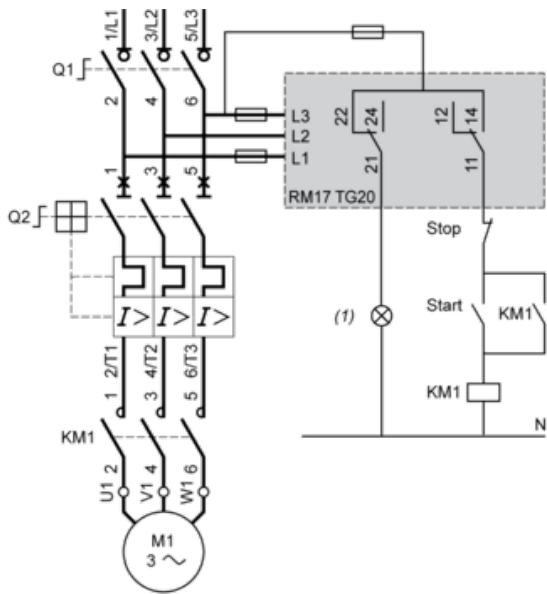
3-Phase Supply Control Relays

Wiring Diagram



Application Scheme

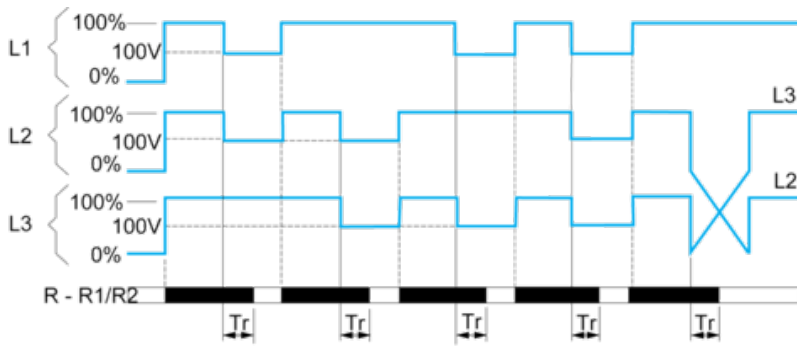
Example



(1) Fault

Function Diagram

Phase Sequence Control and Total Loss of Phase Detection



Legend

T_r Response time on appearance of a fault

L1, L2, L3 Phases of the supply voltage monitored

R - R1/R2 Output relay(s).

Relay status: black color = energized.

Recommended replacement(s)