



Main

Range of product	ConneXium
Product or component type	Ethernet TCP/IP managed switch
Concept	Transparent Ready
Communication port protocol	Ethernet TCP/IP SSH HTTP HTTPS SNMP MRP (Media Redundancy Protocol) RSTP SFTP SCP LLDP
Port Ethernet	100BASE-FX - 2 port(s) fiber optic 10BASE-T/100BASE-TX - 6 port(s) copper cable
Maximum number of switches in cascade	Unlimited
Cybersecurity	Port hardening Role-based access control

Complementary

Integrated connection type	Duplex SC fiber optic Shielded RJ45 copper cable
Transmission support medium	Twisted shielded pairs cable CAT 5E for copper cable Multimode optical fiber for fiber optic
Maximum cable distance between devices	100 M copper cable
Optic fiber length	4 Km 62.2/125 µm
Attenuation	11 DB (62.2/125 µm) 8 DB (50/125 µm)
Ethernet service	Configuration via web server Secure port Data stream control SMTP V3 Multicast filtering VLAN SNMP-Traps and SYSLOG Priority port
Communication service	Telnet TFTP
Maximum number of switches in a ring	50
Redundancy	Redundant single ring Ring coupling Redundant power supplies HiPER ring
[Us] rated supply voltage	24 V

Supply voltage limits	9.6...60 V DC SELV 18...30 V AC SELV
Power consumption in W	7.7 W
Electrical connection	Removable connector 6 ways power supply
Mounting support	35 mm symmetrical DIN rail
Marking	CE
Local signalling	2 LEDs P1 P2 power supplies: 1 LED fault: 1 LED ring manager: 1 LED stand-by: 1 LED per channel copper port activity: 1 LED per channel copper port status:
Alarm output	1 voltage free contact 1 A
Alarm function	Switch fault Redundancy ring fault Power supply fault Data link status
Ethernet cabling system	TF switches
MTBF reliability	425477.0 H
Width	74 Mm
Height	131 Mm
Depth	111 Mm
Net weight	0.41 Kg

Environment

Ambient air temperature for operation	0...60 °C
Relative humidity	10...95 % without condensation
IP degree of protection	IP20
Directives	2014/35/EU - low voltage directive 2014/30/EU - electromagnetic compatibility 2012/19/EU - WEEE directive
Standards	UL 508 CSA C22.2 No 214 CSA C22.2 No 213 Class I Division 2 UL 1604 Class 1 Division 2 EN/IEC 61131-2
Product certifications	GL C-Tick

Packing Units

Unit Type of Package 1	PCE
Number of Units in Package 1	1
Package 1 Weight	658 G
Package 1 Height	13 Cm
Package 1 width	16 Cm
Package 1 Length	23.5 Cm

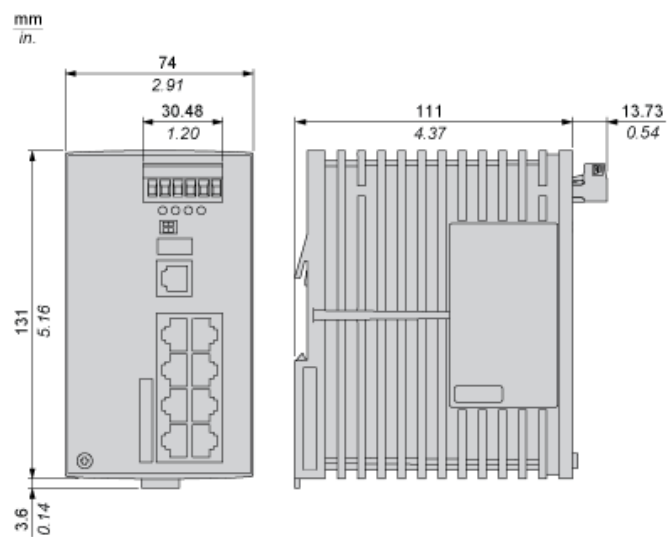
Offer Sustainability

EU RoHS Directive	Pro-active compliance (Product out of EU RoHS legal scope) EU RoHS Declaration
Toxic heavy metal free	Yes
Mercury free	Yes
RoHS exemption information	Yes
China RoHS Regulation	China RoHS Declaration
Environmental Disclosure	Product Environmental Profile
WEEE	The product must be disposed on European Union markets following specific waste collection and never end up in rubbish bins

Contractual warranty

Warranty	18 months
----------	-----------

Dimensions



Product Life Status : Commercialised