



Main

Range of product	Modicon M238 logic controller
Product or component type	Analog input module
Analogue input number	8
Analogue input type	Temperature probe - 50...200 °C Pt 1000 non differential Temperature probe - 200...600 °C Pt 100 non differential

Complementary

Range compatibility	Advantys OTB Twido
Analogue input resolution	12 bits
LSB value	0.2 °C Pt 100 0.006 °C Pt 1000
Input impedance	>= 10 kOhm
Sampling duration	<= 160 ms
Acquisition period	320 ms per group of channel + 1 controller cycle time
Measurement error	+/- 0.5 % of full scale Pt 100 25 °C +/- 0.3 % of full scale Pt 1000 25 °C
Temperature coefficient	+/-0.01 %FS/°C
Repeat accuracy	+/- 0.1 °C
Total error	4 °C Pt 100 1 °C Pt 1000
Insulation between channel and internal logic	Photocoupler
Supply	External supply
[Us] rated supply voltage	24 V DC
Supply voltage limits	19.2...30 V
Electrical connection	1 removable screw terminal block sensors 1 removable screw terminal block power supply
Current consumption	90 mA 5 V DC internal <= 140 mA 24 V DC external
Product weight	0.19 kg

Environment

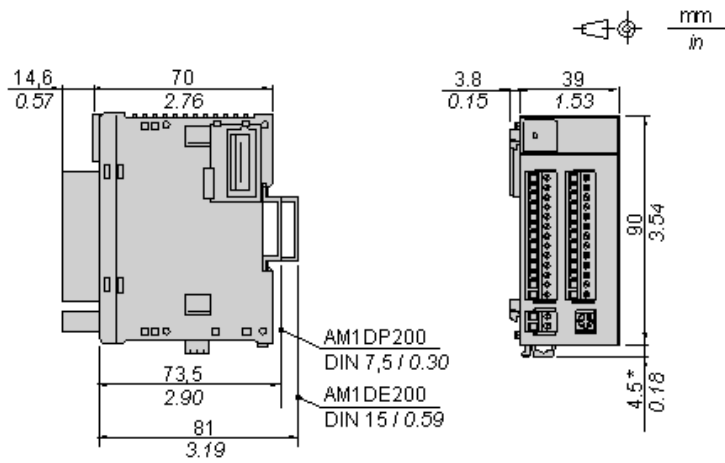
Dielectric strength	500 V between the I/O and the external supply circuit 2500 V between the I/O and internal logic
Width	90 mm
Depth	70 mm
Height	90 mm

Offer Sustainability

Sustainable offer status	Green Premium product
RoHS (date code: YYWW)	Compliant - since 1039 - Schneider Electric declaration of conformity
REACH	Reference not containing SVHC above the threshold
Product environmental profile	Available Download Product Environmental
Product end of life instructions	Available Download End Of Life Manual

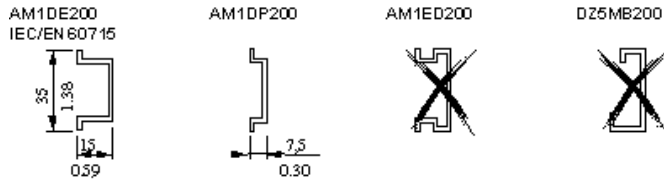
Analog Input Module (8-channel, Temperature Probe)

Dimensions



NOTE: * 8.5 mm (0.33 in) when the clip-on lock is pulled out.

DIN Rail Mounting

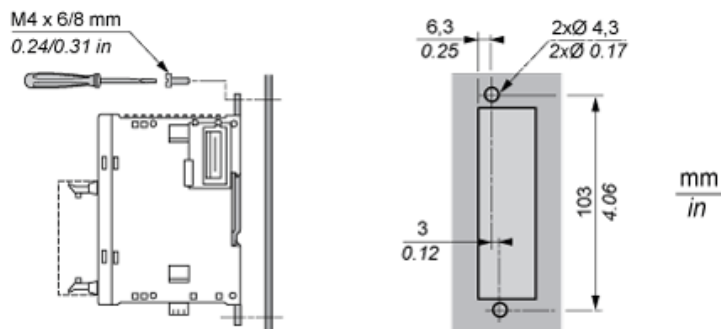


Rail depth	Catalogue part number
15 mm (0.59 in.)	AM1DE200
7,5 mm (0.30 in.)	AM1DP200

NOTE: Do not use AM1ED200 and DZ5MB200

Module Mounting on a Panel Surface

Mounting Hole Layout



Wiring Requirements

Cable Types and Wire Sizes for Removable Screw Terminal Block

	mm ²	0,14...1,5	0,25...0,5	0,25...1,5	0,14...0,5	0,14...0,75	0,25...0,34	0,5
	AWG	26...16	24...20	24...16	26...20	26...18	24...22	20

Analog Input Module (8-channel, Temperature Probe)

Wiring Diagram

