

## Main

|                           |                               |
|---------------------------|-------------------------------|
| Commercial Status         | Commercialised                |
| Range of product          | Modicon M238 logic controller |
| Product or component type | Discrete output module        |
| Discrete output number    | 16                            |
| Discrete output type      | Relay                         |

## Complementary

|   |  |
|---|--|
| Range compatibility                           | Advantys OTB<br>Twido  |
| Discrete output function                      | 1 NO   |
| Current per channel                           | 2...5 A  |
| Current per output common                     | 8 A  |
| Number of common point                        | 2  |
| Contact resistance                            | <= 45 mOhm   |
| Response time                                 | <= 5 ms from state 1 to state 0 input<br><= 10 ms from state 0 to state 1 input  |
| Minimum switching current                     | 0.1 mA 0.1 V DC  |
| Isolation between channels                    | 1500 V for 1 minute  |
| Isolation between channels and internal logic | 2300 V for 1 minute  |
| Isolation between output channels group       | 1500 V for 1 minute  |
| Mechanical durability                         | 20000000 cycles  |
| Electrical durability                         | 100000 cycles 2 A 30 V DC resistive<br>100000 cycles 2 A 240 V AC resistive<br>100000 cycles 1 A DC-13 24 V DC inductive (L/R = 7 ms)<br>100000 cycles 1 A AC-15 240 V AC cos phi = 0.7 inductive<br>100000 cycles 0.5 A AC-15 240 V AC cos phi = 0.35 inductive |
| Current consumption                           | 40 mA 24 V DC at state 1 for all output<br>30 mA 5 V DC at state 1 for all output  |
| Local signalling                              | 1 display block  |
| Electrical connection                         | 1 removable screw terminal block   |
| Mounting support                              | 35 mm symmetrical DIN rail   |
| Product weight                                | 0.145 kg   |

## Environment

|        |         |
|--------|---------|
| Depth  | 84.6 mm |
| Height | 90 mm   |
| Width  | 27.3 mm |

## RoHS compliance

|                                |           |
|--------------------------------|-----------|
| RoHS EUR status                | Compliant |
| RoHS EUR conformity date(YYWW) | 0830      |

## Contractual warranty

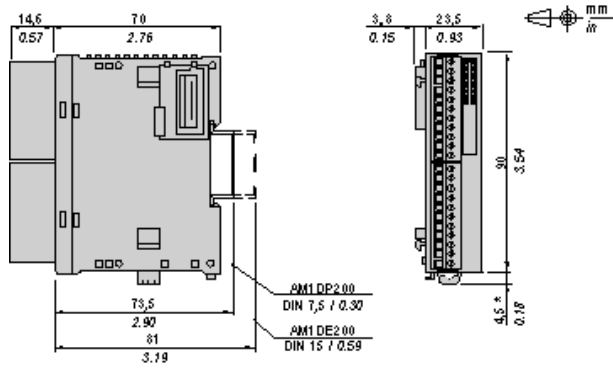
---

|        |           |
|--------|-----------|
| Period | 18 months |
|--------|-----------|

---

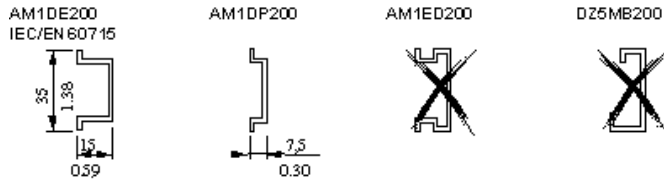
Digital Relay Output Module (16-contact)

Dimensions



NOTE: \* 8.5 mm (0.33 in) when the clamp is pulled out.

DIN Rail Mounting

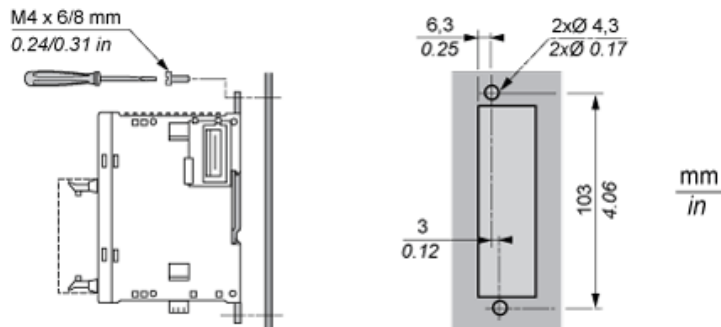


| Rail depth        | Catalogue part number |
|-------------------|-----------------------|
| 15 mm (0.59 in.)  | AM1DE200              |
| 7,5 mm (0.30 in.) | AM1DP200              |

NOTE: Do not use AM1ED200 and DZ5MB200

Module Mounting on a Panel Surface

Mounting Hole Layout



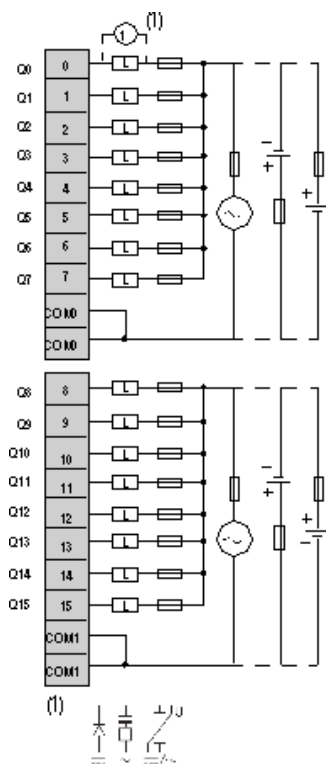
Wiring Requirements

Cable Types and Wire Sizes for Removable Screw Terminal Block

|                 |            |            |            |            |             |             |     |
|-----------------|------------|------------|------------|------------|-------------|-------------|-----|
|                 |            |            |            |            |             |             |     |
| mm <sup>2</sup> | 0,14...1,5 | 0,25...0,5 | 0,25...1,5 | 0,14...0,5 | 0,14...0,75 | 0,25...0,34 | 0,5 |
| AWG             | 26...16    | 24...20    | 24...16    | 26...20    | 26...18     | 24...22     | 20  |

Digital Relay Output Module (16-contact)

Wiring Diagram



L Load