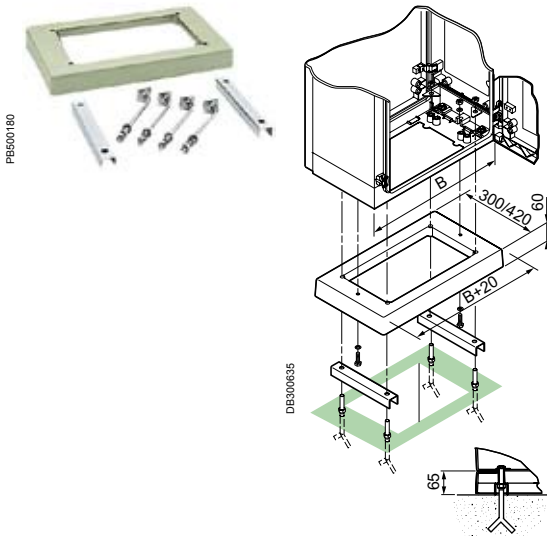


Composition accessories

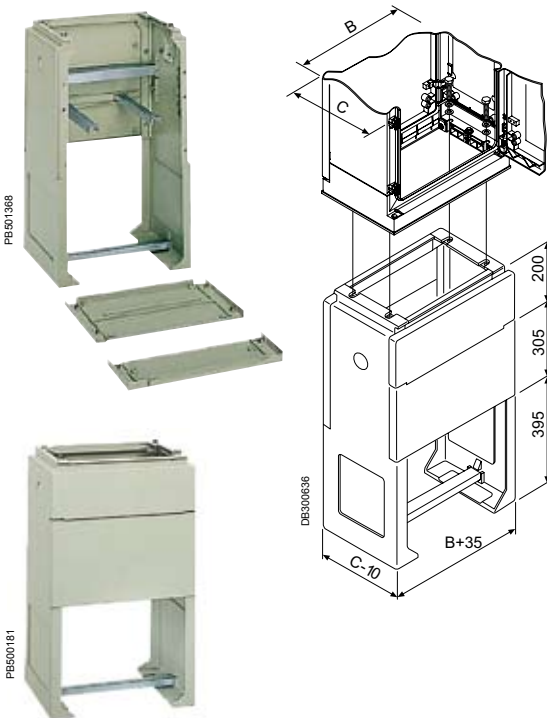
Base accessories



N Plinth height 60 mm

- Designed to be installed under the closed-bottom enclosures (version PLA or PLAT).
- Polyester reinforced with fibreglass, moulded by hot compression, RAL 7032 grey.

For floor-standing enclosure (mm)		Reference
Width (B)	Depth	
500	320	NSYZNPLA53
750	320	NSYZNPLA73
1000	320	NSYZNPLA103
1250	320	NSYZNPLA123
500	420	NSYZNPLA54
750	420	NSYZNPLA74
1000	420	NSYZNPLA104
1250	420	NSYZNPLA124



Buriable H Plinth height 900 mm

- Designed to be installed under the open-bottom enclosures (version PLAZ or PLAZT).
- Polyester reinforced with fibreglass, moulded by hot compression, RAL 7032 grey.
- Front panel with a height of 170 mm, retractable, providing easy access to the inside.
- Fixed front panel with a height of 305 mm, corresponding to the finished floor height area.
- The height above the floor after building-in varies between 200 and 500 mm.
- A metal rail helps to fix the entry cables.
- Lateral uprights with pre-knock-out auxiliary output with \varnothing Pg 36 (48 mm).
- A pre-knock-out area is provided at the bottom of the lateral uprights for cable entry, if necessary.
- Delivered with the fixings required for installation.

For floor-standing enclosure (mm)		Reference
Width (B)	Depth (C)	
500	320	NSYZHPLA53
750	320	NSYZHPLA73
1000	320	NSYZHPLA103
1250	320	NSYZHPLA123
500	420	NSYZHPLA54
750	420	NSYZHPLA74
1000	420	NSYZHPLA104
1250	420	NSYZHPLA124



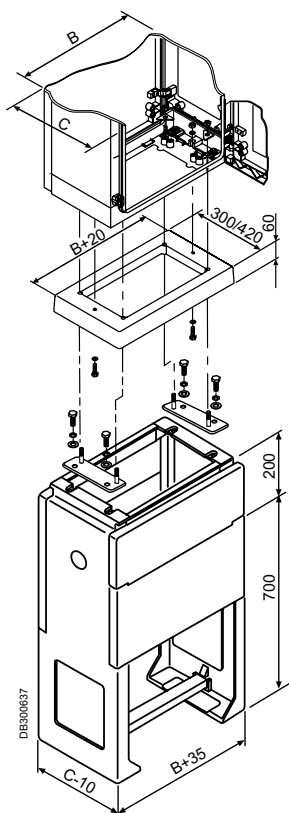
Specific



Optional removable top front plate, with two double-bar locks.

Composition accessories

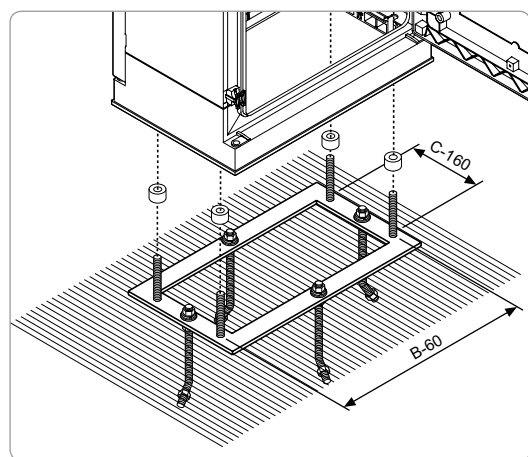
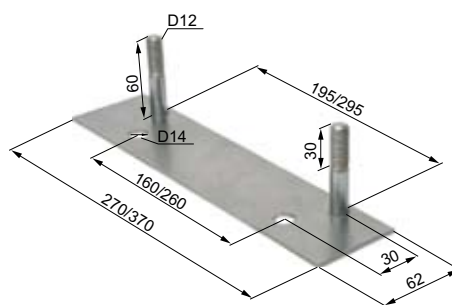
Base accessories



Connectors between plinths

- Designed to allow the adaptation of a closed-bottom enclosure + N plinth on a H-type partially buried plinth.
- Composition: 2 parts for adapting the centre-to-centre distances.

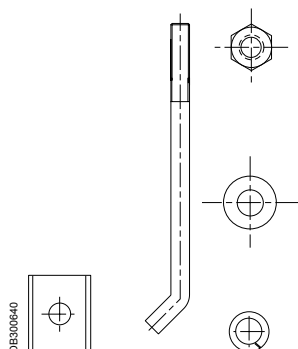
For floor-standing enclosure (mm)	Description	Reference
Depth		
320	Linking parts for N plinth on 320-mm H plinth	NSYAZ3PLA
420	Linking parts for N plinth on 420-mm H plinth	NSYAZ4PLA



Floor-standing frame

- Frame for direct fixing on the floor for installing open-bottom enclosures (version PLAZ or PLAZT).
- Material: passivated zinc-coated steel.

For floor-standing enclosure (mm)		Reference
Width (B)	Depth (C)	
500	320	NSYMFPLAZ53
750	320	NSYMFPLAZ73
1000	320	NSYMFPLAZ103
1250	320	NSYMFPLAZ123
500	420	NSYMFPLAZ54
750	420	NSYMFPLAZ74
1000	420	NSYMFPLAZ104
1250	420	NSYMFPLAZ124



Floor-fixing studs

Set of four threaded parts and fixings, for fixing the enclosures on concrete plinths.

Description	Reference
Fixing studs	NSYFSPLAZ

Composition accessories

Base accessories



ZA plinths for PLA enclosure (version PLA and PLAT)

Designed to support and raise the closed-bottom versions of PLA enclosures, in other words, references **NSYPLAxx** or **NSYPLATxx**:

- Polyester material reinforced with fibreglass, moulded by hot compression.
- Guarantees total insulation according to IEC 61439-1.
- Ensures a degree of protection of IP 44 and impact resistance of IK 10.
- Plinth height of 200 mm; stackable to obtain a 400-mm plinth.
- Four floor-attachment points; the symmetry of the parts prevents incorrect assembly.

The frontal parts of the plinth (front and rear) have two stainless-steel screws protected by a plastic cap; these screws, which can be accessed from the outside, make it possible (using an Allen key) to open and remove the frontal parts for easier cable installation.

In stacked position, the bottom plinth can be partially buried.

It is provided with one or two reinforcement cross-rails, adjustable to adapt to the position of the cables.

The reference of the plinth contains all the accessories required for attaching the enclosure to the plinth and for stacking two plinths.

For floor-standing enclosure				Plinth				Cable-gland area	
Height	Width	Depth	Reference	Height	Width	Depth	Reference	Width	Depth
500 to 1500	500	320	NSYPLA(T)x53	200	494	250	NSYZA253	360	205
500 to 1500	750	320	NSYPLA(T)x73	200	744	250	NSYZA273	610	205
500 to 1500	1000	320	NSYPLA(T)x103	200	994	250	NSYZA2103	860	205
500 to 1500	1250	320	NSYPLA(T)x123	200	1244	250	NSYZA2123	1100	205
500 to 1500	500	420	NSYPLA(T)x54	200	494	350	NSYZA254	360	305
500 to 1500	750	420	NSYPLA(T)x74	200	744	350	NSYZA274	610	305
500 to 1500	1000	420	NSYPLA(T)x104	200	994	350	NSYZA2104	860	305
500 to 1500	1250	420	NSYPLA(T)x124	200	1244	350	NSYZA2124	1110	305



Cable supporting cross-rail

The lateral sides of the plinth are provided with bosses for attaching cross-rails with cut-out profiles, for supporting cables.

The reference of the cross-rail includes all the elements required for assembly.

For plinth		Cross-rail
NSYZA253	NSYZA254	NSYAC320
NSYZA273	NSYZA274	NSYAC560
NSYZA2103	NSYZA2104	NSYAC840
NSYZA2123	NSYZA2124	NSYAC1080

Kit for IP 54

Makes it possible to obtain IP 54 for the plinth and the plinth-enclosure connection. Ref. **NSYAEPZA**.

Feet for partially buried installation

Allows the partially buried installation of plinths before completion of the floor.

The plinths are attached by four feet with a standard length of 750 mm.

Possibility of horizontal adjustment of the plinth.

The kit is made up of four feet and fixings, ref. **NSYAEBFZ**.



Composition accessories

Base accessories



ZZ plinths for PLA enclosure (version PLAZ and PLAZT)

Designed to support and raise the open-bottom versions of PLA enclosures, in other words, references **NSYPLAZ** or **NSYPLAZT**:

- Polyester material reinforced with fibreglass, moulded by hot compression.
- Guarantees total insulation according to IEC 61439-1.
- Ensures a degree of protection of IP 44 and impact resistance of IK 10.

The offer consists of two plinths, with heights of 200 mm and 500 mm. Four floor-attachment points; the symmetry of the parts prevents incorrect assembly. The frontal parts (front and rear) are removed from the inside. Removing them makes it easier to install the cables.

The 500-mm plinth can be partially buried.

It is provided with one or two reinforcement cross-rails, adjustable to adapt to the position of the cables.

The reference of the plinth contains all the accessories required for attaching the enclosure to the plinth.

For floor-standing enclosure				Plinth				Cable-gland area	
Height	Width	Depth	Reference	Height	Width	Depth	Reference	Width	Depth
500 to 1500	500	320	NSYPLAZ(T)x53	200	535	310	NSYZZ253	419	252
500 to 1500	750	320	NSYPLAZ(T)x73	200	785	310	NSYZZ273	669	252
500 to 1500	1000	320	NSYPLAZ(T)x103	200	1035	310	NSYZZ2103	919	252
500 to 1500	1250	320	NSYPLAZ(T)x123	200	1285	310	NSYZZ2123	1169	252
500 to 1500	500	420	NSYPLAZ(T)x54	200	535	410	NSYZZ254	419	352
500 to 1500	750	420	NSYPLAZ(T)x74	200	785	410	NSYZZ274	669	352
500 to 1500	1000	420	NSYPLAZ(T)x104	200	1035	410	NSYZZ2104	919	352
500 to 1500	1250	420	NSYPLAZ(T)x124	200	1285	410	NSYZZ2124	1169	352
500 to 1500	500	320	NSYPLAZ(T)x53	500	535	310	NSYZZ553	419	252
500 to 1500	750	320	NSYPLAZ(T)x73	500	785	310	NSYZZ573	669	252
500 to 1500	1000	320	NSYPLAZ(T)x103	500	1035	310	NSYZZ5103	919	252
500 to 1500	1250	320	NSYPLAZ(T)x123	500	1285	310	NSYZZ5123	1169	252
500 to 1500	500	420	NSYPLAZ(T)x54	500	535	410	NSYZZ554	419	352
500 to 1500	750	420	NSYPLAZ(T)x74	500	785	410	NSYZZ574	669	352
500 to 1500	1000	420	NSYPLAZ(T)x104	500	1035	410	NSYZZ5104	919	352
500 to 1500	1250	420	NSYPLAZ(T)x124	500	1285	410	NSYZZ5124	1169	352



Cable supporting cross-rail

The lateral sides of the plinths are provided with bosses for attaching cross-rails with cut-out profiles, for supporting cables.

The reference of the cross-rail includes all the elements required for assembly.

For plinth				Cross-rail
NSYZZ253	NSYZZ254	NSYZZ553	NSYZZ554	NSYAC360
NSYZZ273	NSYZZ274	NSYZZ573	NSYZZ574	NSYAC600
NSYZZ2103	NSYZZ2104	NSYZZ5103	NSYZZ5104	NSYAC840
NSYZZ2123	NSYZZ2124	NSYZZ5123	NSYZZ5124	NSYAC1120



Outside opening kit

The 200-mm front part of the 200- and 500-mm plinths can be opened from the outside, after installing a kit made up of two locks with double-bar insert, ref. **NSYAEZ**.

Feet for partially buried installation

Allows the partially buried installation of plinths before completion of the floor. The plinths are attached by four feet with a standard length of 750 mm.

Possibility of horizontal adjustment of the plinth.

The reference includes a kit made up of four feet and fixings, ref. **NSYAEBFZ**.

