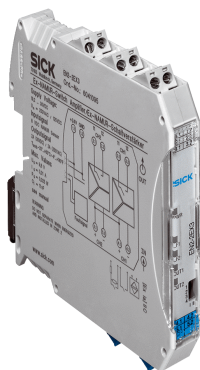


EN2-2EX3



Ordering information

Type	Part no.
EN2-2EX3	6041095

Other models and accessories → www.sick.com/



Detailed technical data

Technical specifications

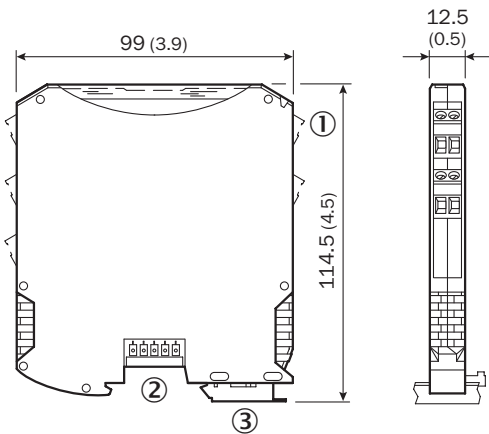
Accessory family	Power supply modules
Switching output	2 NO relay (1 per channel)
Enclosure rating	IP20
Description	NAMUR isolating amplifier, Cable fault detection, Switching outputs: 2 NO relay (1 per channel), Supply voltage: 19,2 V ... 30 V, Voltage type: DC
Type approval certificate	IBEx U10 ATEX 1022 X
Certificate (IECEX)	IECEX IBE 14.0025X
ATEX marking	ATEX marking, EX II (1) D [Ex ia Da] IIIC, EX II (1) G [Ex ia Ga] IIC, EX II 3 (1) G Ex ec nC [ia Ga] IIC T4 Gc
Ambient temperature, operation	-40 °C ... +60 °C
Ambient temperature, storage	-40 °C ... +80 °C

Classifications

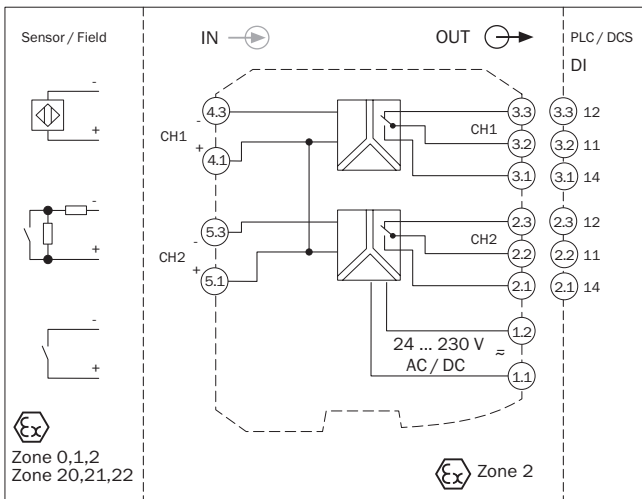
ECLASS 5.0	27371401
ECLASS 5.1.4	27371401
ECLASS 6.0	27070201
ECLASS 6.2	27070203
ECLASS 7.0	27070203
ECLASS 8.0	27070203
ECLASS 8.1	27070203
ECLASS 9.0	27070203
ECLASS 10.0	27070203
ECLASS 11.0	27070203
ECLASS 12.0	27070203
ETIM 5.0	EC000216
ETIM 6.0	EC000216

ETIM 7.0	EC000216
ETIM 8.0	EC000216
UNSPSC 16.0901	39122233

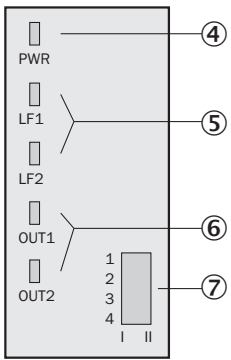
Dimensional drawing (Dimensions in mm (inch))



Anschlusschema



Adjustments



SICK AT A GLANCE

SICK is one of the leading manufacturers of intelligent sensors and sensor solutions for industrial applications. A unique range of products and services creates the perfect basis for controlling processes securely and efficiently, protecting individuals from accidents and preventing damage to the environment.

We have extensive experience in a wide range of industries and understand their processes and requirements. With intelligent sensors, we can deliver exactly what our customers need. In application centers in Europe, Asia and North America, system solutions are tested and optimized in accordance with customer specifications. All this makes us a reliable supplier and development partner.

Comprehensive services complete our offering: SICK LifeTime Services provide support throughout the machine life cycle and ensure safety and productivity.

For us, that is “Sensor Intelligence.”

WORLDWIDE PRESENCE:

Contacts and other locations –www.sick.com