

Proximity / Reflex Sensors
Product group W100, Photoelectric proximity
switch, Background blanking

WT100-P3419



Model Name > [WT100-P3419](#)
Part No. > [6026116](#)

- Photoelectric proximity switch with background blanking
- Visible red light as alignment aid
- Switching point adjustable
- Easy mounting through integrated mounting hole M3



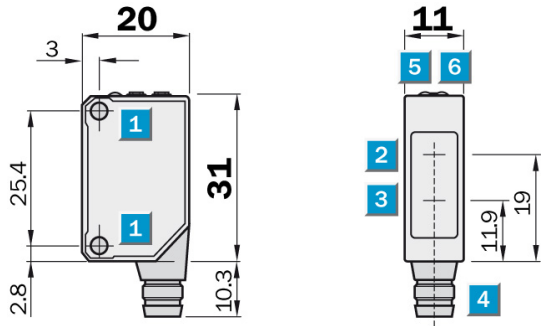
Product features

| | |
|----------------------------|--|
| Sensing range min ... max: | 4 ... 140 mm |
| Relating to: | Object with 90 % remission (based on standard white to DIN 5033) |
| Adjustment: | Potentiometer |
| Light source: | LED |
| Type of light: | Red light |
| Wave length: | 680 nm |
| Light spot diameter: | Approx. 8 mm at 90 mm distance |

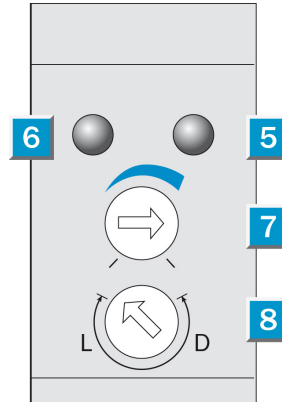
Technical data

| | |
|---|---|
| Design: | cuboid |
| Dimensions (W x H x D): | 11 x 31 x 20 mm |
| Supply voltage min ... max: | DC 10 ... 30 V |
| Ripple: | ± 10 % |
| Power consumption: | ≤ 30 mA |
| Switching output: | PNP: open collector: Q |
| Switching mode: | Light/dark-switching via rotary switch |
| Signal voltage PNP HIGH / LOW: | Vs - 1.8 V / approx. 0 V |
| Output current max.: | 100 mA |
| Response time: | ≤ 0.5 ms |
| Switching frequency: | 1,000 Hz |
| Connection type: | Connector, M8, 3-pin |
| Circuit protection: | Vs connections reverse-polarity protected / In-/outputs short-circuit protected / Outputs overcurrent and short-circuit protected |
| Enclosure rating: | IP 65 |
| Ambient operation temperature, min ... max: | -25 °C ... +55 °C |
| Ambient storage temperature, min ... max: | -40 °C ... +70 °C |
| Weight: | ca. 9 g |
| Housing material: | ABS |
| Items supplied: | 1 mounting bracket BEF-W100-A |

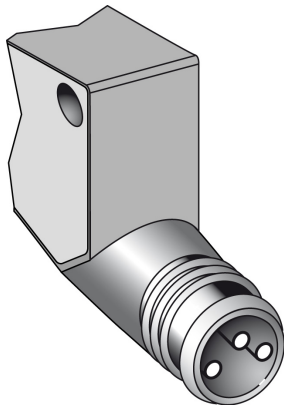
Dimensional drawing



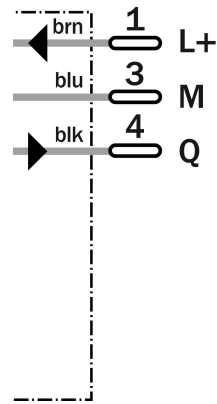
Adjustment possible



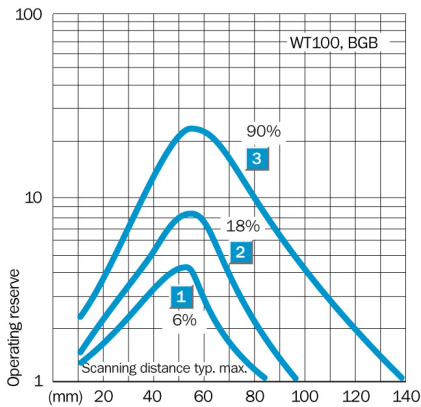
Connection type



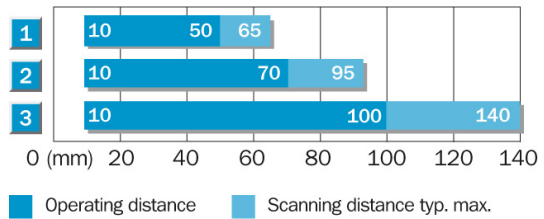
Connection diagram



Operating reserve



Sensing range diagram



- 1 Scanning range on black, 6 % remission
- 2 Scanning range on grey, 18 % remission
- 3 Scanning range on white, 90 % remission

Australia

Phone +61 3 9497 4100
1800 33 48 02 – tollfree
E-Mail sales@sick.com.au

Belgium/Luxembourg

Phone +32 (0)2 466 55 66
E-Mail info@sick.be

Brasil

Phone +55 11 3215-4900
E-Mail sac@sick.com.br

Ceská Republika

Phone +420 2 57 91 18 50
E-Mail sick@sick.cz

China

Phone +852-2763 6966
E-Mail ghk@sick.com.hk

Danmark

Phone +45 45 82 64 00
E-Mail sick@sick.dk

Deutschland

Phone +49 211 5301-301
E-Mail kundenservice@sick.de

España

Phone +34 93 480 31 00
E-Mail info@sick.es

France

Phone +33 1 64 62 35 00
E-Mail info@sick.fr

Great Britain

Phone +44 (0)1727 831121
E-Mail info@sick.co.uk

India

Phone +91-22-4033 8333
E-Mail info@sick-india.com

Israel

Phone +972-4-999-0590
E-Mail info@sick-sensors.com

Italia

Phone +39 02 27 43 41
E-Mail info@sick.it

Japan

Phone +81 (0)3 3358 1341
E-Mail support@sick.jp

Nederlands

Phone +31 (0)30 229 25 44
E-Mail info@sick.nl

Norge

Phone +47 67 81 50 00
E-Mail austefjord@sick.no

Österreich

Phone +43 (0)22 36 62 28 8-0
E-Mail office@sick.at

Polska

Phone +48 22 837 40 50
E-Mail info@sick.pl

Republic of Korea

Phone +82-2 786 6321/4
E-Mail info@sickkorea.net

Republika Slovenija

Phone +386 (0)1-47 69 990
E-Mail office@sick.si

România

Phone +40 356 171 120
E-Mail office@sick.ro

Russia

Phone +7 495 775 05 34
E-Mail info@sick-automation.ru

Schweiz

Phone +41 41 619 29 39
E-Mail contact@sick.ch

Singapore

Phone +65 6744 3732
E-Mail admin@sicksgp.com.sg

Suomi

Phone +358-9-25 15 800
E-Mail sick@sick.fi

Sverige

Phone +46 10 110 10 00
E-Mail info@sick.se

Taiwan

Phone +886 2 2375-6288
E-Mail sales@sick.com.tw

Türkiye

Phone +90 216 587 74 00
E-Mail info@sick.com.tr

United Arab Emirates

Phone +971 4 8865 878
E-Mail info@sick.ae

USA/Canada/México

Phone +1(952) 941-6780
1 800-325-7425 – tollfree
E-Mail info@sickusa.com

More representatives and agencies
in all major industrial nations at
www.sick.com