

Proximity / Reflex Sensors
Product group W100, Photoelectric proximity
switch, Background blanking

WT100-P4419



Model Name > [WT100-P4419](#)
Part No. > [6028619](#)

- Photoelectric proximity switch with background blanking
- Visible red light as alignment aid
- Switching point adjustable
- Easy mounting through integrated mounting hole M3



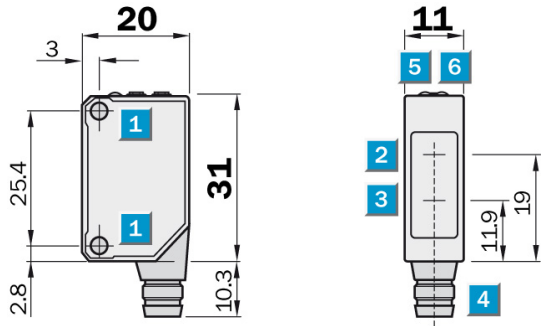
Product features

Sensing range min ... max:	4 ... 140 mm
Relating to:	Object with 90 % remission (based on standard white to DIN 5033)
Adjustment:	Potentiometer
Light source:	LED
Type of light:	Red light
Wave length:	680 nm
Light spot diameter:	Approx. 8 mm at 90 mm distance

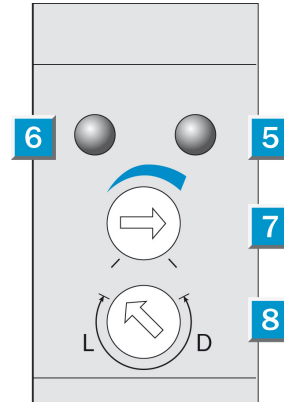
Technical data

Design:	cuboid
Dimensions (W x H x D):	11 x 31 x 20 mm
Supply voltage min ... max:	DC 10 ... 30 V
Ripple:	± 10 %
Power consumption:	≤ 30 mA
Switching output:	PNP: open collector: Q
Switching mode:	Light/dark-switching via rotary switch
Signal voltage PNP HIGH/LOW:	Vs - 1.8 V / approx. 0 V
Output current max.:	100 mA
Response time:	≤ 0.5 ms
Switching frequency:	1,000 Hz
Connection type:	connector, M8, 4-pin
Circuit protection:	Vs connections reverse-polarity protected / In-/outputs short-circuit protected / Outputs overcurrent and short-circuit protected
Enclosure rating:	IP 65
Ambient operation temperature, min ... max:	-25 °C ... +55 °C
Ambient storage temperature, min ... max:	-40 °C ... +70 °C
Weight:	ca. 9 g
Housing material:	ABS
Items supplied:	1 mounting bracket BEF-W100-A

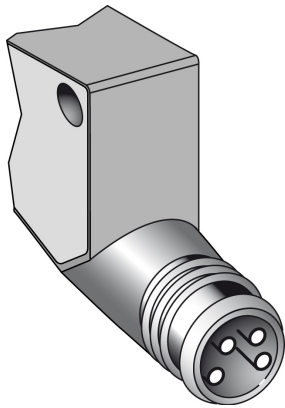
Dimensional drawing



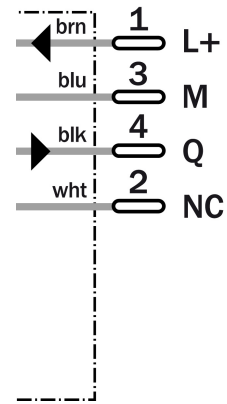
Adjustment possible



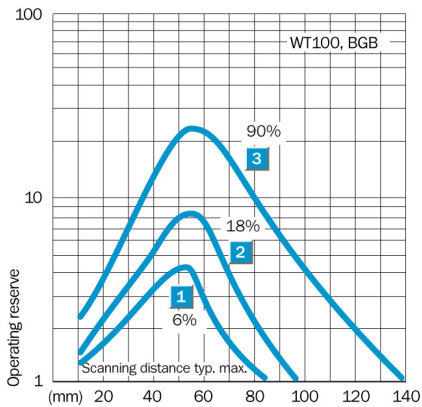
Connection type



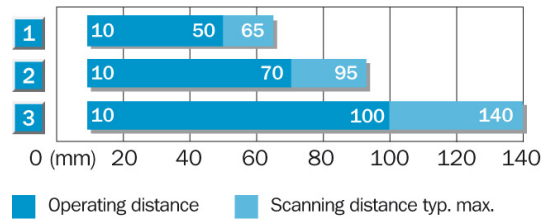
Connection diagram



Operating reserve



Sensing range diagram



- 1 Scanning range on black, 6 % remission
- 2 Scanning range on grey, 18 % remission
- 3 Scanning range on white, 90 % remission

Australia

Phone +61 3 9497 4100
1800 33 48 02 – tollfree
E-Mail sales@sick.com.au

Belgium/Luxembourg

Phone +32 (0)2 466 55 66
E-Mail info@sick.be

Brasil

Phone +55 11 3215-4900
E-Mail sac@sick.com.br

Ceská Republika

Phone +420 2 57 91 18 50
E-Mail sick@sick.cz

China

Phone +852-2763 6966
E-Mail ghk@sick.com.hk

Danmark

Phone +45 45 82 64 00
E-Mail sick@sick.dk

Deutschland

Phone +49 211 5301-301
E-Mail kundenservice@sick.de

España

Phone +34 93 480 31 00
E-Mail info@sick.es

France

Phone +33 1 64 62 35 00
E-Mail info@sick.fr

Great Britain

Phone +44 (0)1727 831121
E-Mail info@sick.co.uk

India

Phone +91-22-4033 8333
E-Mail info@sick-india.com

Israel

Phone +972-4-999-0590
E-Mail info@sick-sensors.com

Italia

Phone +39 02 27 43 41
E-Mail info@sick.it

Japan

Phone +81 (0)3 3358 1341
E-Mail support@sick.jp

Nederlands

Phone +31 (0)30 229 25 44
E-Mail info@sick.nl

Norge

Phone +47 67 81 50 00
E-Mail austefjord@sick.no

Österreich

Phone +43 (0)22 36 62 28 8-0
E-Mail office@sick.at

Polska

Phone +48 22 837 40 50
E-Mail info@sick.pl

Republic of Korea

Phone +82-2 786 6321/4
E-Mail info@sickkorea.net

Republika Slovenija

Phone +386 (0)1-47 69 990
E-Mail office@sick.si

România

Phone +40 356 171 120
E-Mail office@sick.ro

Russia

Phone +7 495 775 05 34
E-Mail info@sick-automation.ru

Schweiz

Phone +41 41 619 29 39
E-Mail contact@sick.ch

Singapore

Phone +65 6744 3732
E-Mail admin@sicksgp.com.sg

Suomi

Phone +358-9-25 15 800
E-Mail sick@sick.fi

Sverige

Phone +46 10 110 10 00
E-Mail info@sick.se

Taiwan

Phone +886 2 2375-6288
E-Mail sales@sick.com.tw

Türkiye

Phone +90 216 587 74 00
E-Mail info@sick.com.tr

United Arab Emirates

Phone +971 4 8865 878
E-Mail info@sick.ae

USA/Canada/México

Phone +1(952) 941-6780
1 800-325-7425 – tollfree
E-Mail info@sickusa.com

More representatives and agencies
in all major industrial nations at
www.sick.com